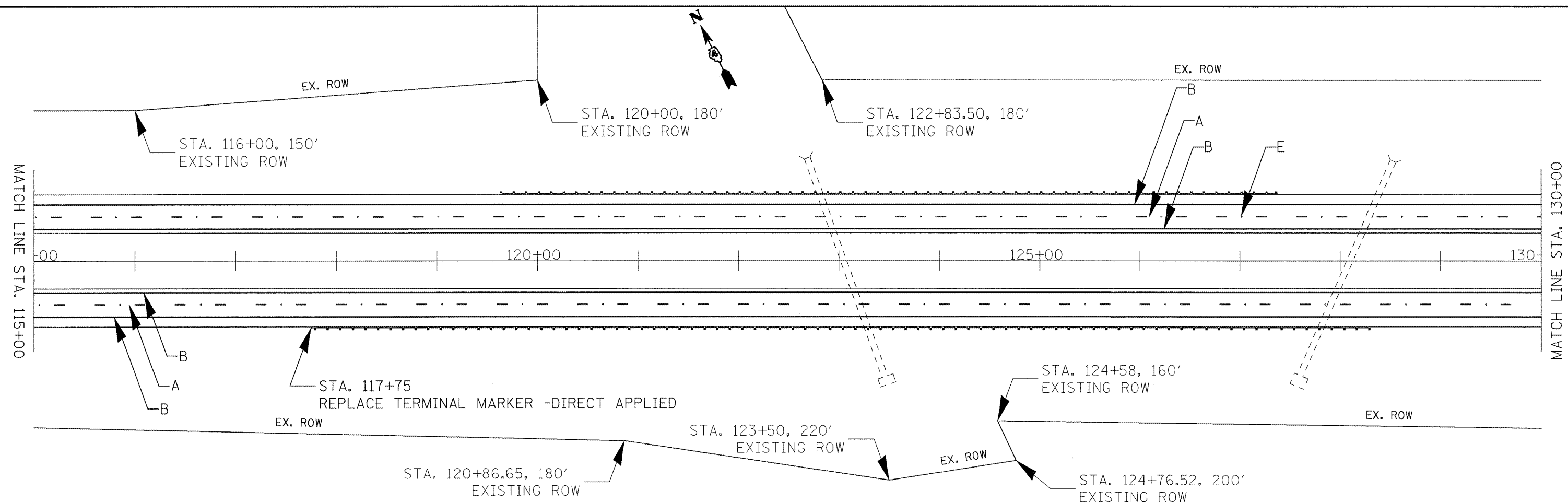
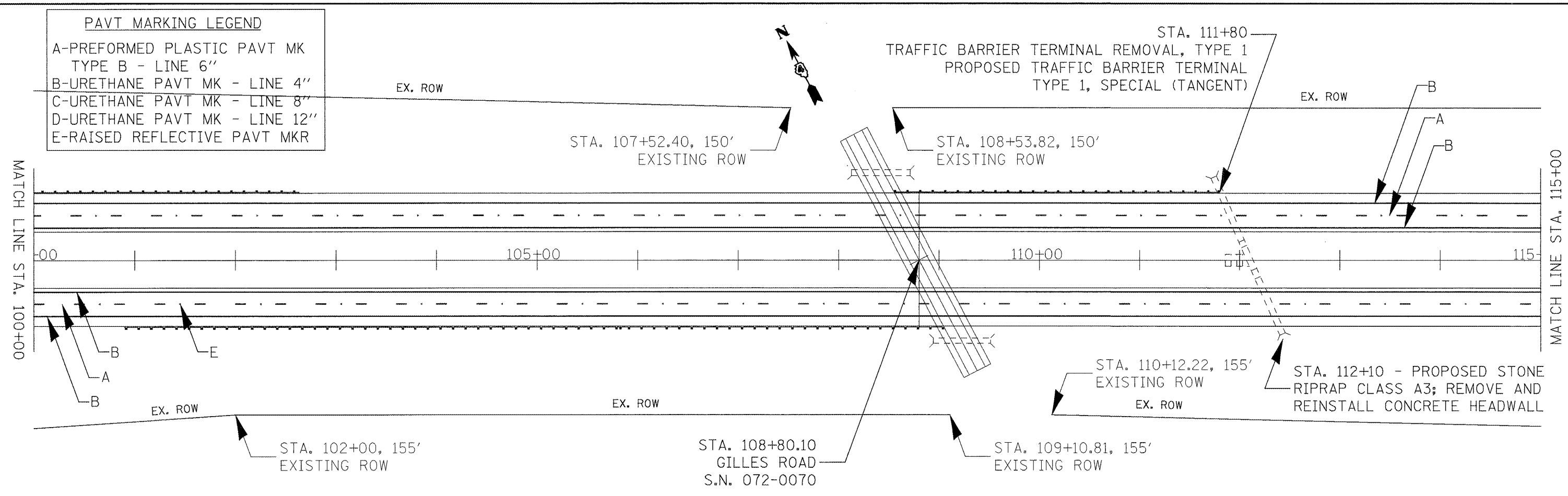


PAVT MARKING LEGEND	
A	PREFORMED PLASTIC PAVT MK TYPE B - LINE 6"
B	URETHANE PAVT MK - LINE 4"
C	URETHANE PAVT MK - LINE 8"
D	URETHANE PAVT MK - LINE 12"
E	RAISED REFLECTIVE PAVT MKR



FILE NAME = Plan Sheets.dgn	USER NAME = toroja	DESIGNED -	REVISED -
		DRAWN -	REVISED -
		CHECKED -	REVISED -
		DATE -	REVISED -

**STATE OF ILLINOIS  
DEPARTMENT OF TRANSPORTATION**

<b>PLAN SHEETS</b>		
SCALE: 1" = 50'	SHEET NO. 4 OF 14 SHEETS	STA. 100+00 TO STA. 130+00

F.A.I. RTE. 74	SECTION 72(SRS-2,5B-1)6RS-1J	COUNTY PEORIA	TOTAL SHEETS 59	SHEET NO. 31
<b>CONTRACT NO. 68391</b>				
ILLINOIS FED. AID PROJECT				