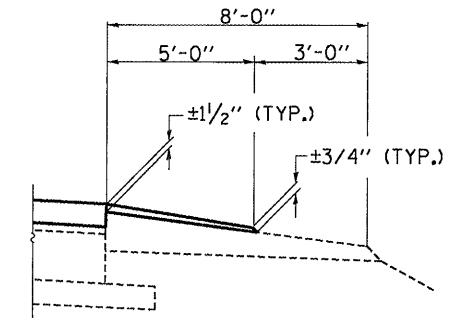
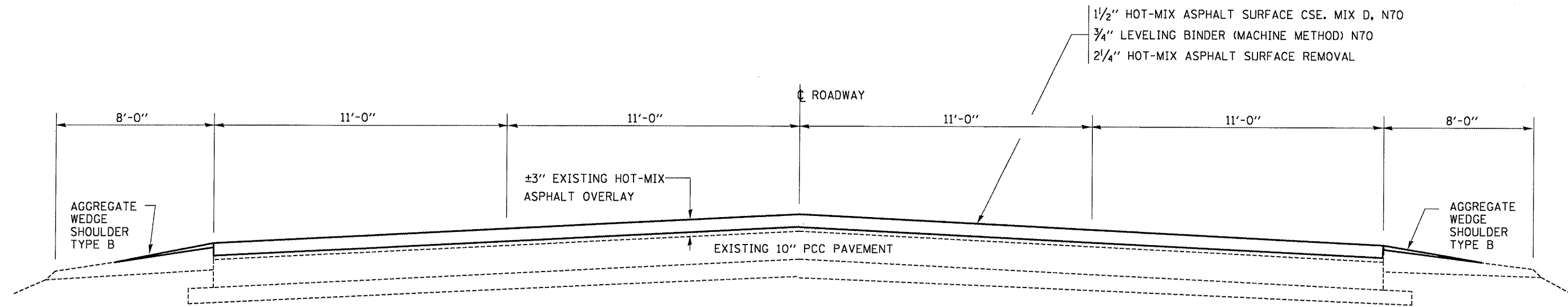


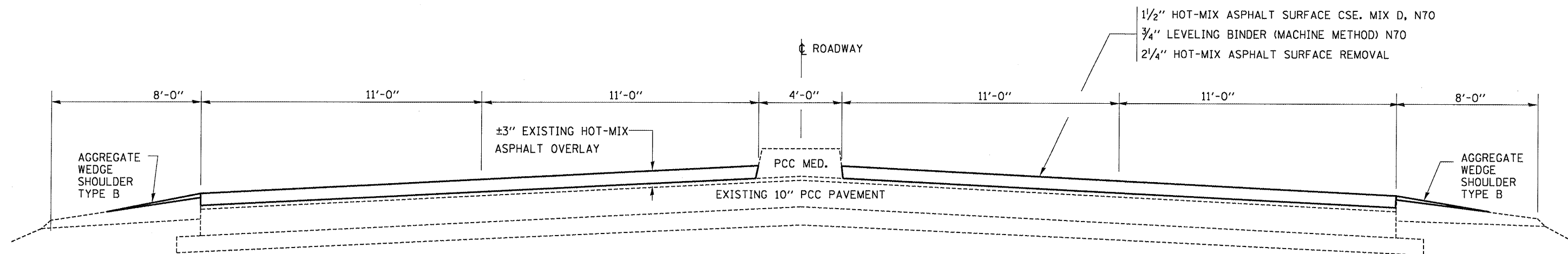
TYPICAL SECTION C-C



AGGREGATE WEDGE SHOULDER DETAIL



TYPICAL SECTION B-B



TYPICAL SECTION A-A

FILE NAME =	USER NAME = woodshank-1	DESIGNED - RON WOODSHANK	REVISED -	STATE OF ILLINOIS DEPARTMENT OF TRANSPORTATION	TYPICAL SECTIONS	F.A.U. RTE.	SECTION	COUNTY	TOTAL SHEETS	SHEET NO.	
at:\pwwork\pwwid01\WOODSHANK\RL\d0122950	D366953-topo.dgn	DRAWN - RON WOODSHANK	REVISED -			6120	(50-2HB-5)RS-2	LASALLE	17	4	
	PLOT SCALE = 17.0009 m / IN.	CHECKED -	REVISED -			CONTRACT NO. 66953					
	PLOT DATE = Feb 03, 2009 - 11:06:18 AM	DATE -	REVISED -			ILLINOIS FED. AID PROJECT					
					SCALE: _____	SHEET NO. _____ OF _____ SHEETS		STA. _____ TO STA. _____			