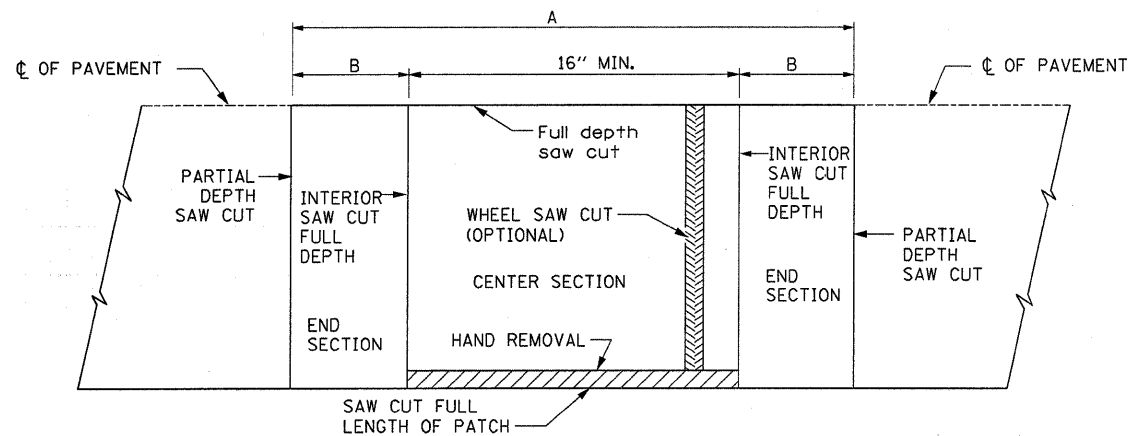
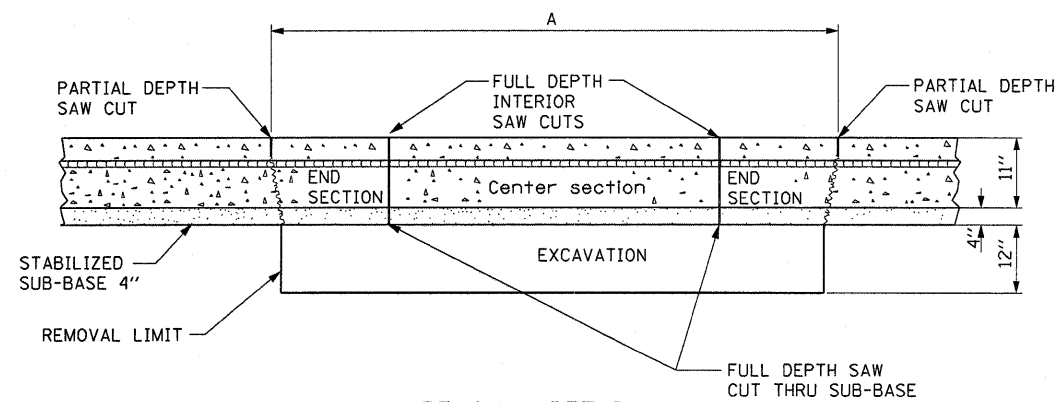


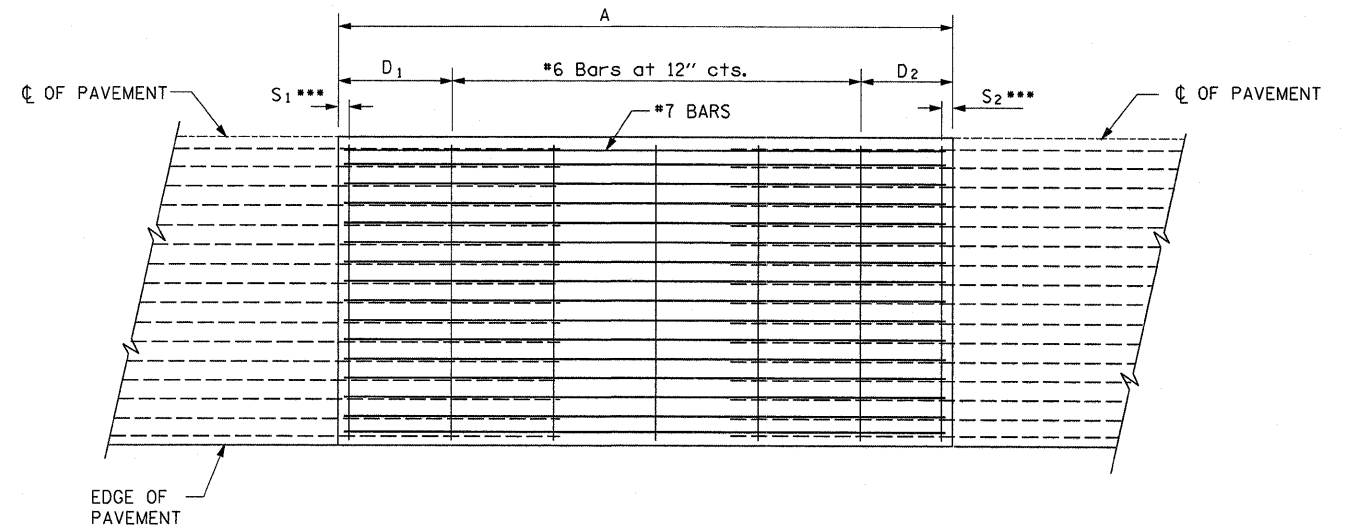
**ALTERNATE SAWING DETAIL**  
(PCC SHOULDER)



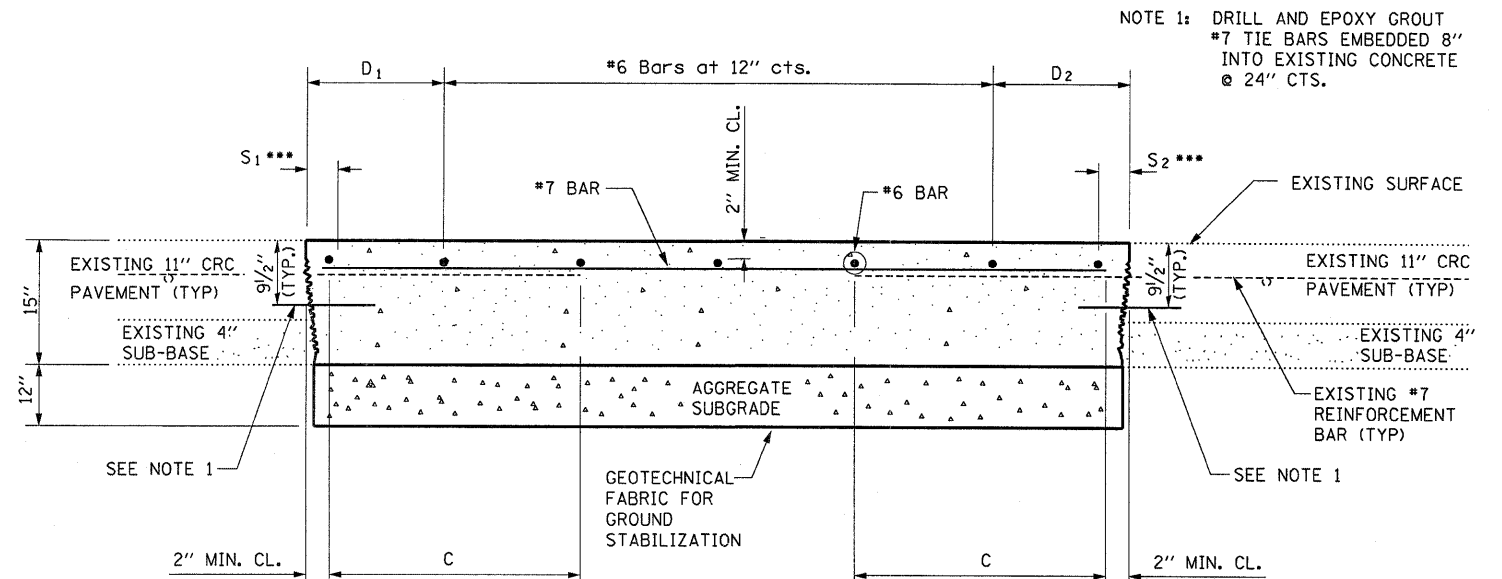
**PAVEMENT SAWING DETAIL**  
(PCC SHOULDER)



**REMOVAL DETAIL**



**PROPOSED PAVEMENT DETAIL**  
(AGAINST CONCRETE SHOULDER)



**PROPOSED CLASS A PATCHING DETAIL**

EXISTING LONGITUDINAL REINFORCEMENT BARS	A (min.)	B (min.)	C (min.)
No. 7	6'-0"	24"	22"

- NOTES:**
- EVERY 3rd INTERSECTION MUST BE TIED
  - LAP NEW REINFORCEMENT WITH EXISTING LONGITUDINAL REINFORCEMENT
  - VARIABLES: WHERE  $S_1$  AND  $S_2$  ARE  $2\frac{1}{2}$ " MIN. AND 12" MAX.  $D_1 = 2(S_1)$  AND  $D_2 = 2(S_2)$