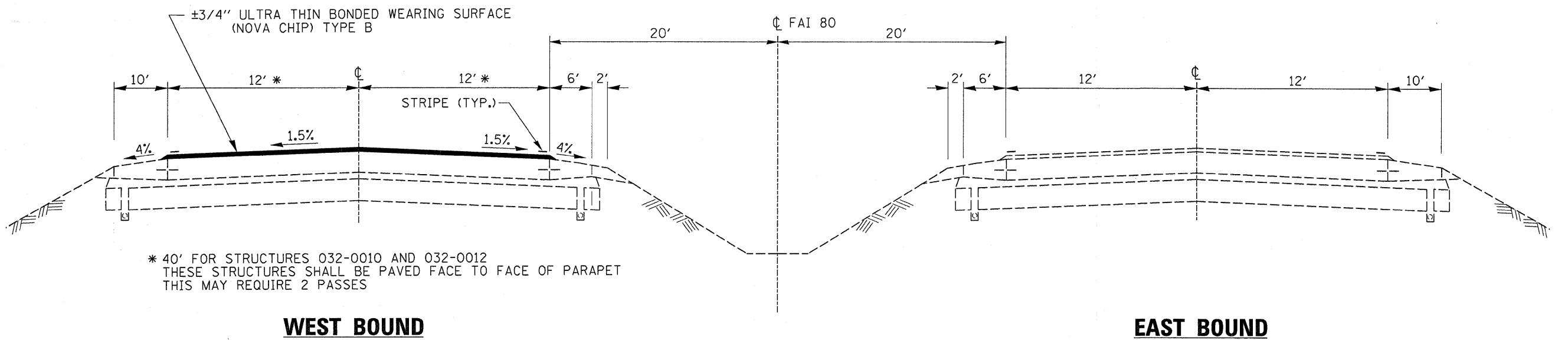


### EXISTING TYPICAL SECTION

STA 846+70 TO STA 1179+70



\* 40' FOR STRUCTURES 032-0010 AND 032-0012  
 THESE STRUCTURES SHALL BE PAVED FACE TO FACE OF PARAPET  
 THIS MAY REQUIRE 2 PASSES

### PROPOSED TYPICAL SECTION

STA 846+70 TO STA 1179+70

FILE NAME =	USER NAME = verdinemi	DESIGNED -	REVISED -	<b>STATE OF ILLINOIS DEPARTMENT OF TRANSPORTATION</b>	<b>TYPICAL SECTIONS</b>				F.A.I. RTE.	SECTION	COUNTY	TOTAL SHEETS	SHEET NO.
ca:\pw_work\PWIDOT\VERDINEMI\d0106568\036906-sht-cover.dgn		DRAWN -	REVISED -						80	(32-2)RS-4	GRUNDY	8	6
PLOT SCALE = 80.0000' / 1"		CHECKED -	REVISED -		SCALE: SHEET NO. OF SHEETS STA. TO STA.				FED. ROAD DIST. NO. [ILLINOIS] FED. AID PROJECT				
PLOT DATE = Feb 03, 2009 - 10:44:46 AM		DATE -	REVISED -						CONTRACT NO. 66906				