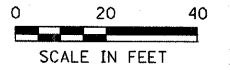
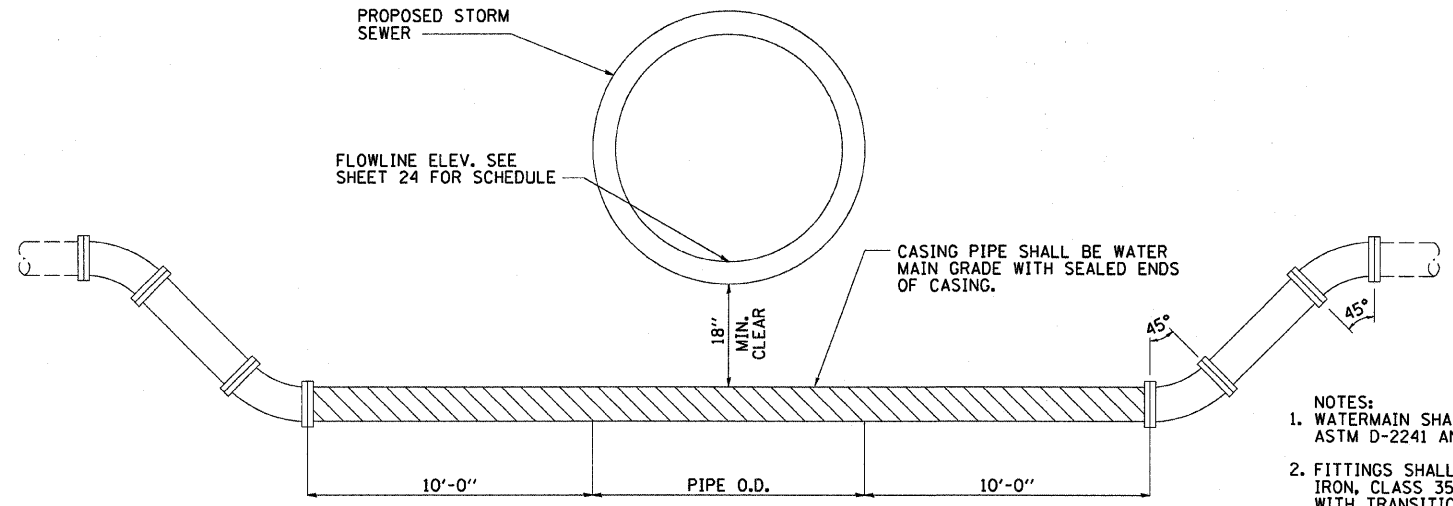


F.A.P. RTE.	SECTION	COUNTY	TOTAL SHEETS	SHEET NO.
681	(115)RS-1	LIVINGSTON	279	133
STA.		TO STA.		
FED. ROAD DIST. NO.		ILLINOIS FED. AID PROJECT		
CONTRACT NO. 66375				



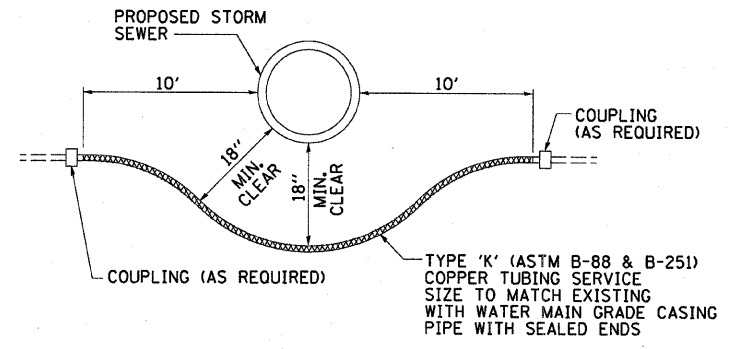
WATER VALVE AND FIRE HYDRANT SCHEDULE				
LOCATION	WATER VALVE TO BE RELOCATED (EACH)	WATER VALVE TO BE ADJUSTED (EACH)	FIRE HYDRANT TO BE ADJUSTED (EACH)	FIRE HYDRANT TO BE RELOCATED (EACH)
<b>MAINLINE</b>				
STA. 157+66.81, 22.96' LT.			1	
STA. 157+66.91, 21.90' LT.		1		
STA. 159+56, 24' LT.			1	
STA. 162+46.69, 26.79' LT.			1	
STA. 162+46.87, 24.62' LT.		1		
STA. 162+87.04, 18.21' LT.		1		
STA. 166+58.59, 27.08' LT.				1
STA. 166+58.35, 25.17' LT.	1			
STA. 168+08.53, 31.11' LT.	1			
STA. 168+88.21, 30.90' LT.	1			
STA. 170+35, 28' LT.			1	
STA. 172+26.50, 31.61' LT.		1		
STA. 174+99.40, 27.95' LT.				1
STA. 183+42.09, 31.90' LT.				1
STA. 187+12.70, 32.32' LT.		1		
STA. 187+25.50, 32.89' LT.			1	
STA. 188+11.11, 30.17' RT.	1			
STA. 189+33, 34' LT.		1		
STA. 190+18.42, 31.44' RT.	1			
STA. 195+44.18, 34.60' LT.		1		
STA. 195+65, 27' RT.		1		
STA. 196+30.43, 36.77' LT.				1
STA. 196+32.20, 34.63' LT.	1			
<b>TOTALS</b>	<b>6</b>	<b>8</b>	<b>5</b>	<b>4</b>



**WATERMAIN CROSSING DETAIL**

THIS WORK WILL BE PAID FOR PER FOOT AS ADJUSTING WATER MAIN OF THE DIAMETER SPECIFIED.

- NOTES:
1. WATERMAIN SHALL BE 6" SDR-21 PVC, CLASS 200, ASTM D-2241 AND ASTM D-3139.
  2. FITTINGS SHALL BE MECHANICAL JOINT SSB DUCTILE IRON, CLASS 350 PER ANSI/AWWA C153/A21.53 WITH TRANSITION FITTINGS FOR SDR-21 PVC PIPE.
  3. ALL WATER MAIN FITTINGS SHALL BE RESTRAINED UTILIZING THRUST BLOCKS OR APPROVED MECHANICAL RESTRAINING DEVICES.

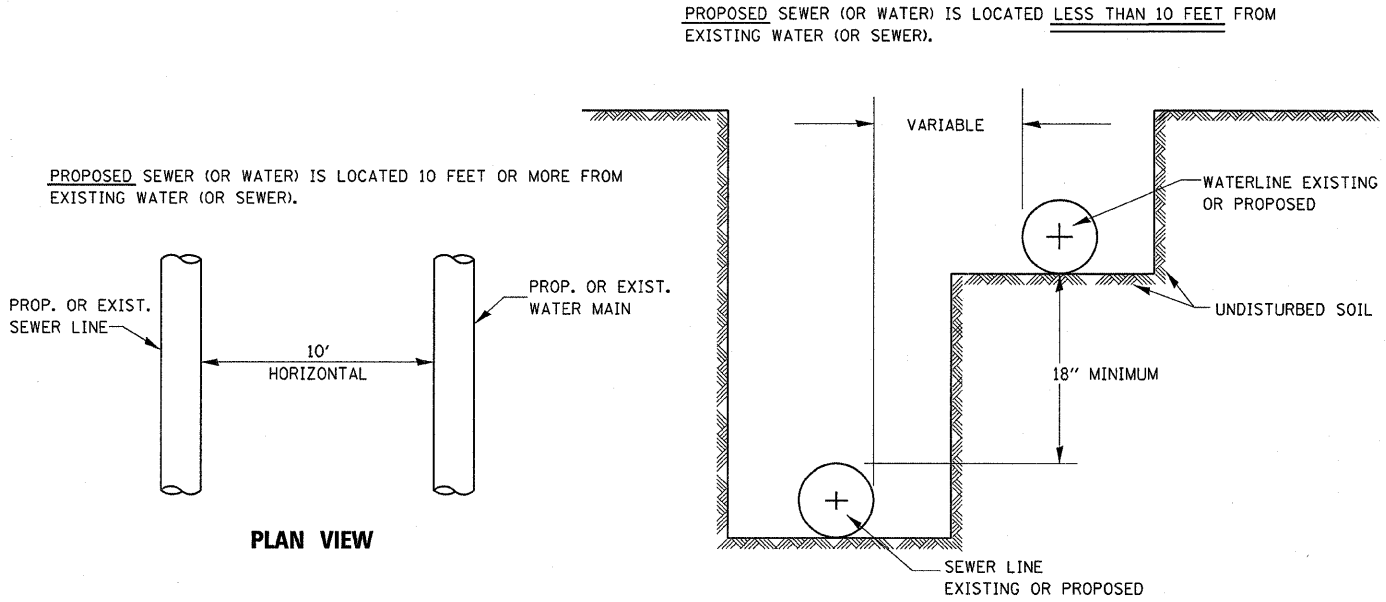


**WATER SERVICE CROSSING DETAIL**

THIS WORK WILL BE PAID FOR PER FOOT AS ADJUSTING WATER SERVICE LINE.

- NOTES:
- ALL WORK ON EXISTING WATER MAIN AND SERVICES SHALL BE COORDINATED WITH THE VILLAGE OF CULLOM WATER DEPARTMENT.
  - THE CITY WATER DEPARTMENT SHALL BE NOTIFIED A MINIMUM OF 72 HOURS PRIOR TO THE START OF WORK.
  - ONLY CITY WATER DEPARTMENT PERSONNEL SHALL OPERATE EXISTING WATER VALVES.
  - ALL WATER MAIN CONSTRUCTION SHALL BE IN ACCORDANCE WITH THE "STANDARD SPECIFICATIONS FOR WATER & SEWER MAIN CONSTRUCTION IN ILLINOIS" FIFTH EDITION, DATED MAY 1996.

WATER LINE AND STORM SEWER CONFLICT			
STATION	OFFSET	ADJUST. WATER SERVICE LINE	ADJUST. WATER MAIN LINE
157+10	37' LT		32
164+43	24' RT	25	
164+86	24' RT	25	
167+39	21' RT	25	
169+17	21' RT	25	
171+08	14' RT	25	
171+78	14' RT	25	
172+42	14' RT	25	
172+82	14' RT	25	
173+80	15' RT	25	
179+07	20' LT		90
180+21	23' RT	25	
180+21	15' LT	25	
182+33	23' RT	25	
182+60	23' RT	25	
184+05	23' RT	25	
184+88	23' RT	25	
185+73	24' RT	25	
185+73	25' LT	25	
186+60	23' RT	25	
186+60	24' LT	25	
188+12	24' RT	25	
190+18	24' RT	25	
191+97	26' RT	25	
197+97	27' LT	25	
<b>TOTAL FEET</b>		<b>575</b>	<b>122</b>



**WATER AND SEWER SEPARATION REQUIREMENTS - HORIZONTAL SEPARATION**

REVISIONS	
NAME	DATE
IDOT REV. - MDS	10/08
IDOT	1-30-09

ILLINOIS DEPARTMENT OF TRANSPORTATION

**WATER MAIN DETAILS**

FAP 681 (IL RTE. 116)  
SECTION (115)RS-1  
LIVINGSTON COUNTY  
VILLAGE OF CULLOM

SCALE: VERT. 1"=10'  
HORIZ. 1"=40'

DATE: 11/05/03

DRAWN BY: JAMESON  
DESIGNED BY: BOTT  
CHECKED BY: COLBROOK

GREENE & BRADFORD, INC.  
OF SPRINGFIELD

REGISTERED PROFESSIONAL ENGINEER  
NO. 123456789  
STATE OF ILLINOIS

COMPUTER FILE NO.  
WM 01-1

PROJECT 03145  
09/05/07-WCB

DESIGN		
INT.	DATE	REASON

PLOTS & CHECKS		
INT.	DATE	REASON

CHECKS		
INT.	DATE	REASON