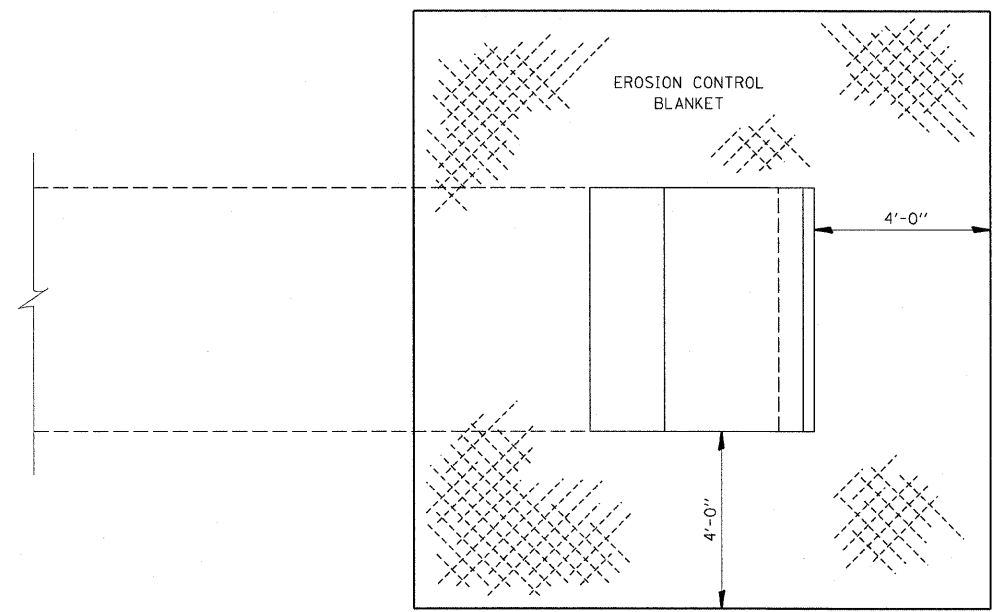
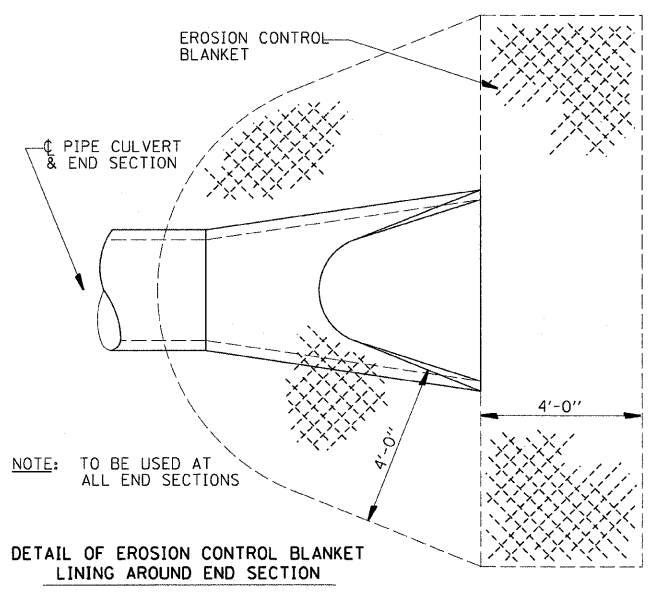


F.A.P. RTE.	SECTION	COUNTY	TOTAL SHEETS	SHEET NO.
681	(115)RS-1	LIVINGSTON	279	129
STA.		TO STA.		
FED. ROAD DIST. NO.		ILLINOIS	FED. AID PROJECT	
CONTRACT NO. 66375				



EROSION CONTROL BLANKET AT PRECAST BOX CULVERT END SECTIONS



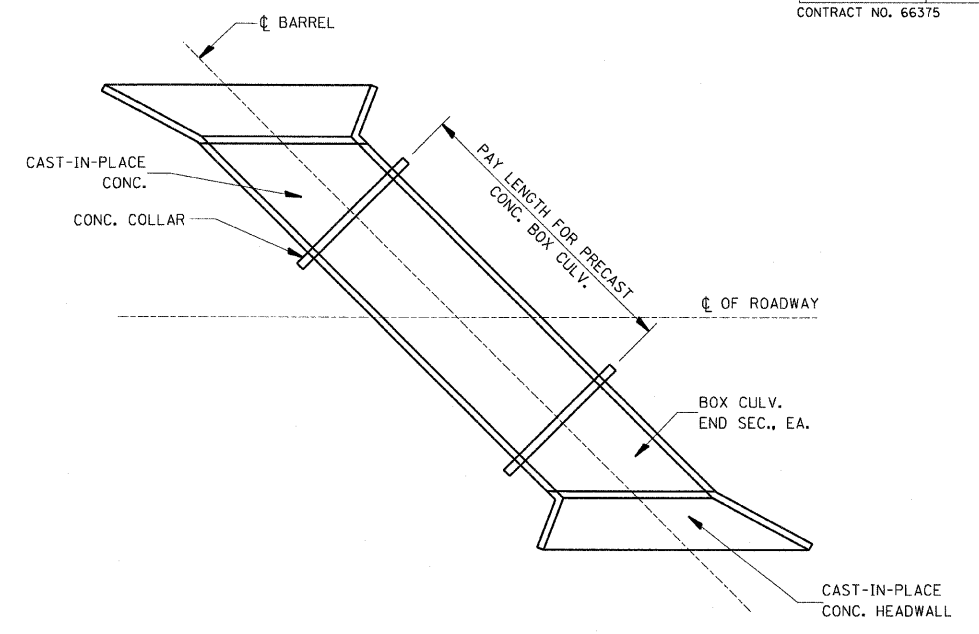
NOTE: TO BE USED AT ALL END SECTIONS

DETAIL OF EROSION CONTROL BLANKET LINING AROUND END SECTION

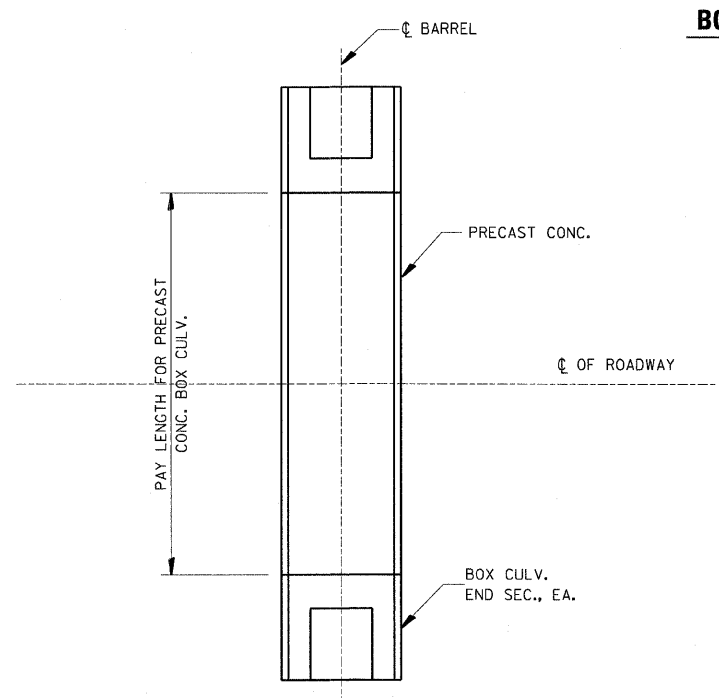
NOTE: PRC FLARED END SECTION SHOWN. TREATMENT SAME FOR OTHER END SECTIONS.

251-2

251-5



PAY LENGTH FOR PRECAST CONCRETE BOX CULVERT SKEWED WITH ROADWAY
N.T.S.



PAY LENGTH FOR PRECAST CONCRETE BOX CULVERT AT RIGHT ANGLES WITH ROADWAY
N.T.S.

540-18

REVISIONS	
NAME	DATE

ILLINOIS DEPARTMENT OF TRANSPORTATION
DISTRICT 3 STANDARDS
FAP 681 (IL RTE. 116)
SECTION (115)RS-1
LIVINGSTON COUNTY
VILLAGE OF CULLOM

SCALE: VERT. _____
HORIZ. _____
DATE: 11/07/03

DRAWN BY: BISHOP
DESIGNED BY: BOTT
CHECKED BY: COLBROOK

GREENE & BRADFORD, INC.
OF SPRINGFIELD
CONSULTING ENGINEERS
AND ARCHITECTS
SINCE 1912

COMPUTER FILE NO. STANDARDS-N
PROJECT: 03145
09/05/07-WCB