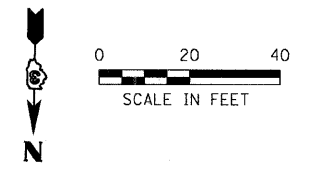
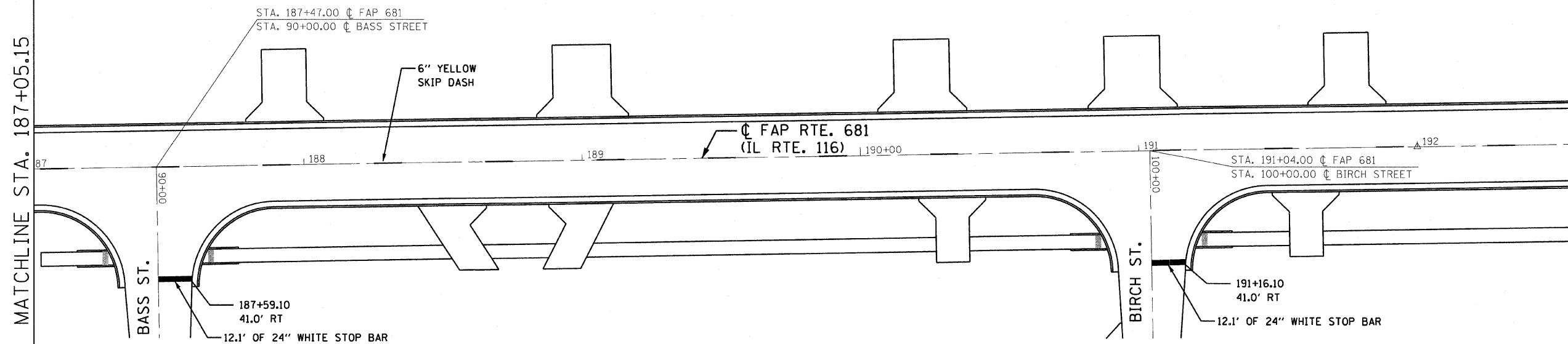


F.A.P. RTE.	SECTION	COUNTY	TOTAL SHEETS	SHEET NO.
681	(115)RS-1	LIVINGSTON	279	108
STA. 187+05.15		TO STA. 198+05.33		
FED. ROAD DIST. NO.	ILLINOIS	FED. AID PROJECT		
CONTRACT NO. 66375				



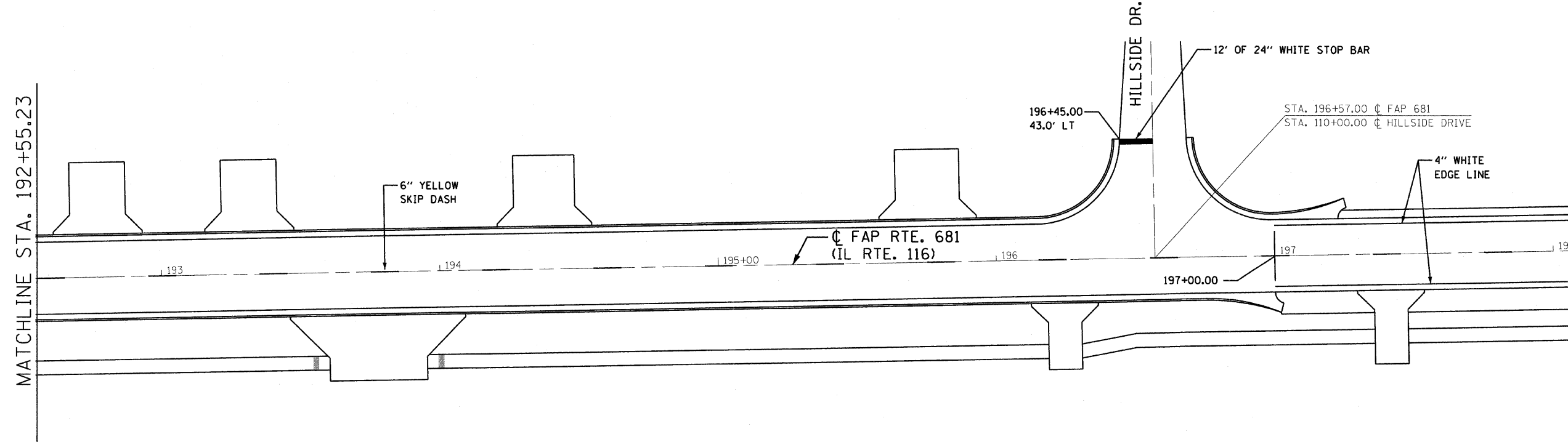
MATCHLINE STA. 187+05.15

MATCHLINE STA. 192+55.23



MATCHLINE STA. 192+55.23

MATCHLINE STA. 198+05.33



REVISIONS	
NAME	DATE

ILLINOIS DEPARTMENT OF TRANSPORTATION  
PAVEMENT MARKING PLAN

FAP 681 (IL RTE. 116)  
SECTION (115)RS-1  
LIVINGSTON COUNTY  
VILLAGE OF CULLOM

SCALE: AS SHOWN      DRAWN BY: EJR  
DATE      CHECKED BY: KCM

**McDonough-Whitlow, P.C.**  
Consulting Engineers & Land Surveyors

138 East Wood Street  
Illisboro, IL 62049  
Phone: 217.532.9233  
Fax: 217.532.6300  
MW PROJ. 03-LEO

1/26/2009 3:55:25 PM J:\0315\DRAWINGS\STRIP64.dgn