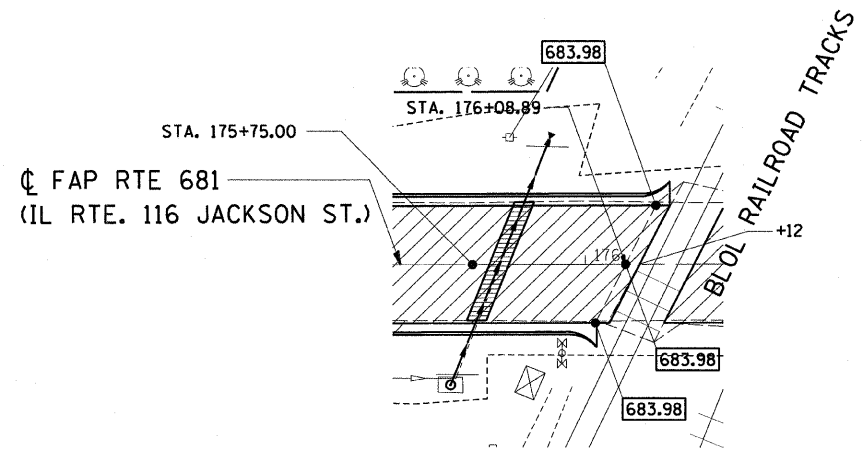
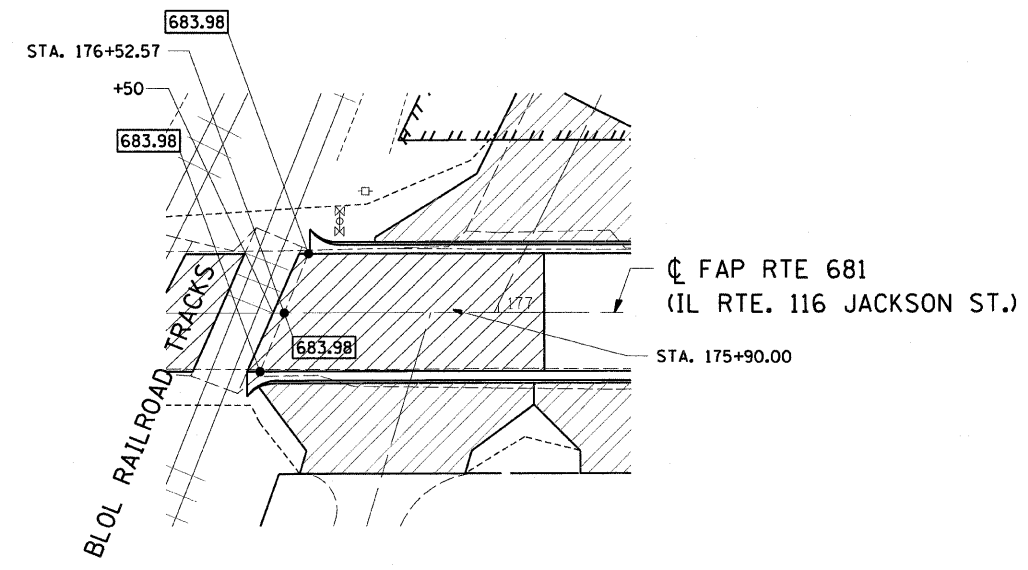


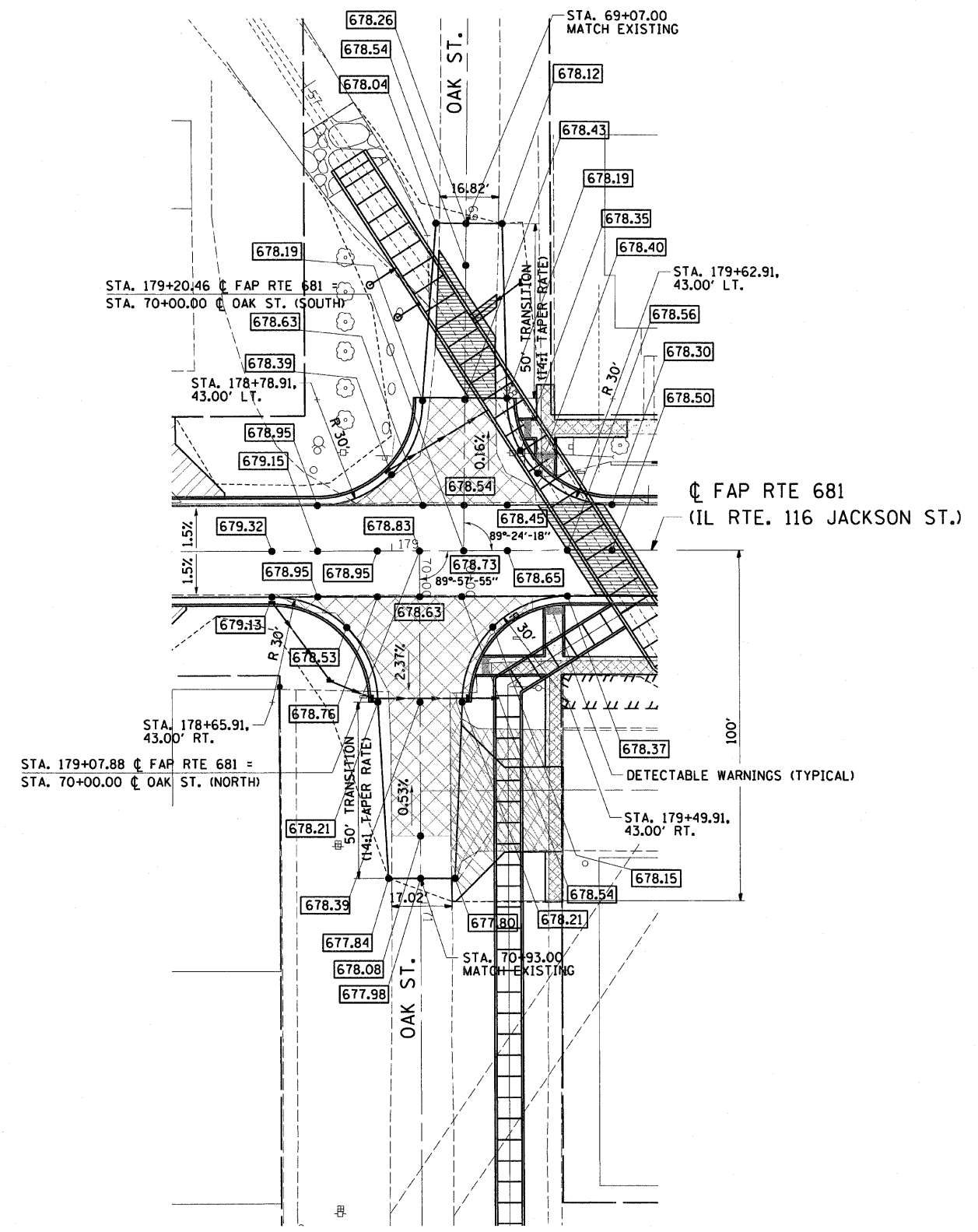
F.A.P. RTE.	SECTION	COUNTY	TOTAL SHEETS	SHEET NO.
681	(115)RS-1	LIVINGSTON	279	102
STA.		TO STA.		
FED. ROAD DIST. NO.		ILLINOIS FED. AID PROJECT		
CONTRACT NO. 66375				



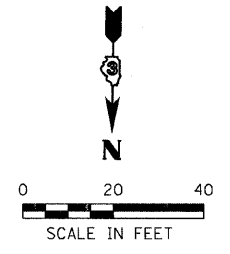
BLOL RAILROAD TRACKS (WEST) INTERSECTION



BLOL RAILROAD TRACKS (EAST) INTERSECTION



OAK ST. INTERSECTION



ILLINOIS DEPARTMENT OF TRANSPORTATION

**INTERSECTION DETAILS**

FAP RTE 681 (IL RTE. 116)  
SECTION (115)RS-1  
LIVINGSTON COUNTY  
VILLAGE OF CULLOM

SCALE: VERT. \_\_\_\_\_  
HORIZ. \_\_\_\_\_  
DATE: 11/07/03

DRAWN BY: BISHOP  
DESIGNED BY: BOTT  
CHECKED BY: COLBROOK

COMPUTER FILE NO. INTDET-D-P2  
PROJECT 03145  
9/05/07-MDS

GREENE & BRADFORD, INC.  
OF SPRINGFIELD  
CONSULTING ENGINEERS  
1500 SOUTH MAIN ST.  
SPRINGFIELD, ILLINOIS 62761  
PH: 217-223-4400 FAX: 217-223-4401  
WWW.GREENEANDBRADFORD.COM

REVISIONS	
NAME	DATE

DESIGN		
INT.	DATE	REASON

PLOTS & CHECKS			
INT.	DATE	NO.	REASON

CHECKS		
INT.	DATE	REASON