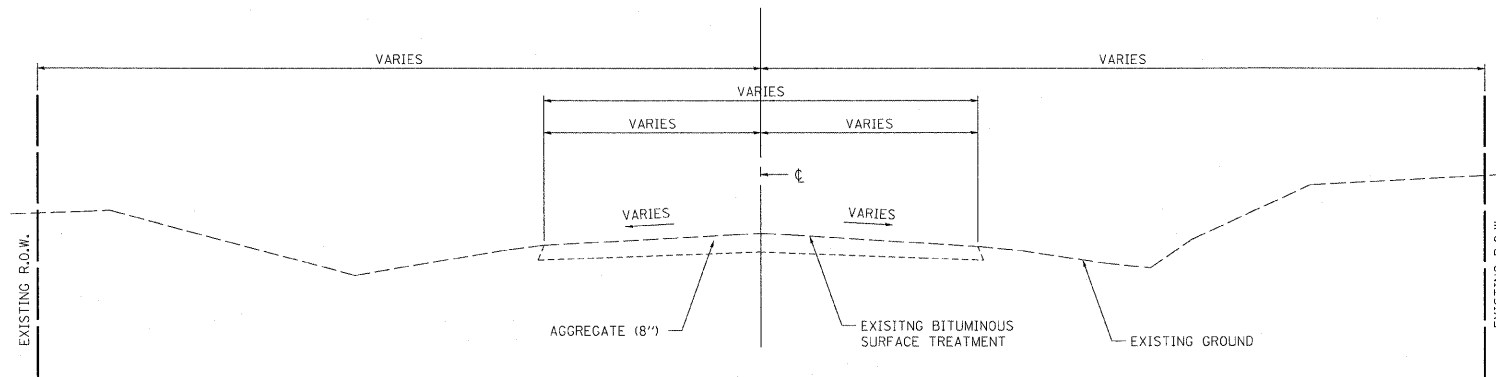


DESIGN		
INT.	DATE	REASON

PLOTS & CHECKS			
INT.	DATE	NO.	REASON

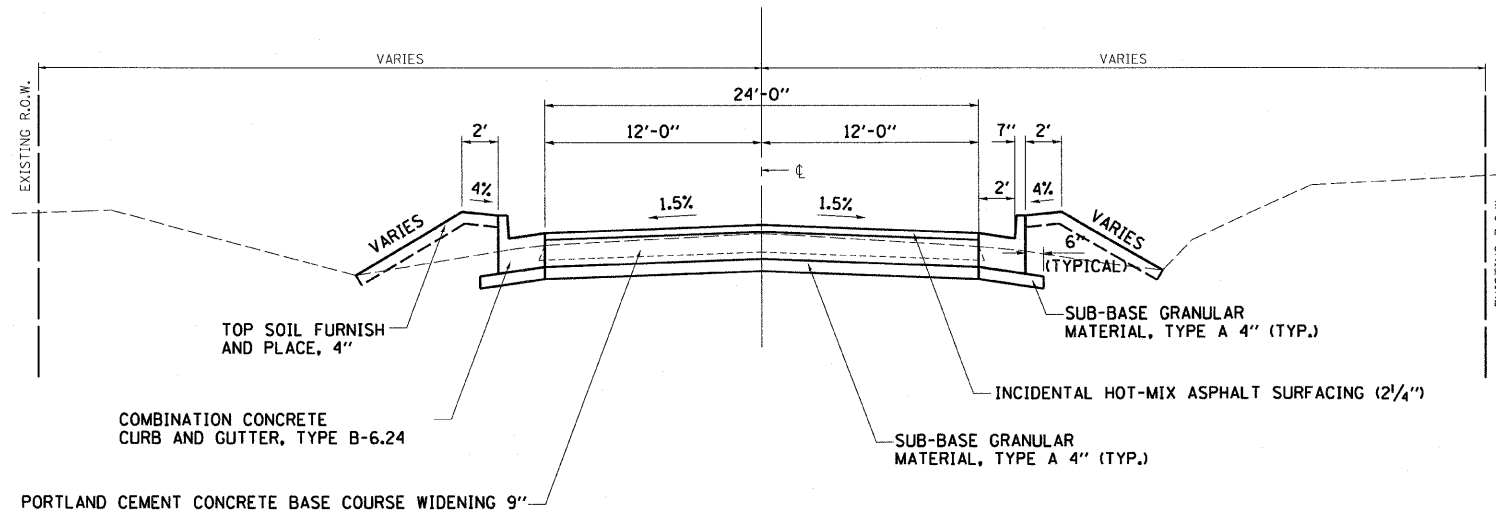
CHECKS		
INT.	DATE	REASON

F.A.P. RTE.	SECTION	COUNTY	TOTAL SHEETS	SHEET NO.
681	(115)RS-1	LIVINGSTON	279	15
STA.	TO STA.			
FED. ROAD DIST. NO.	ILLINOIS	FED. AID PROJECT		
CONTRACT NO. 66375				



EXISTING TYPICAL SECTION

HICKORY ST
 ASH ST.
 WALNUT ST.
 OAK ST. (SOUTH LEG)
 ELM ST.
 BASS ST.
 BIRCH ST.
 HILLSIDE DR.



PROPOSED TYPICAL SECTION

HICKORY ST
 ASH ST.
 WALNUT ST.
 OAK ST. (SOUTH LEG)
 ELM ST.
 BASS ST.
 BIRCH ST.
 HILLSIDE DR.

ILLINOIS DEPARTMENT OF TRANSPORTATION

TYPICAL SECTIONS

FAP 681 (IL RTE. 116)
 SECTION (115)RS-1
 LIVINGSTON COUNTY
 VILLAGE OF CULLOM

REVISIONS	
NAME	DATE

SCALE: VERT. _____
 HORIZ. _____
 DATE: 11/05/03

DRAWN BY: JAMESON
 DESIGNED BY: BOTT
 CHECKED BY: COLBROOK

GREENE & BRADFORD, INC.
 OF BRADFORD
 CONSULTING ENGINEERS
 300 WEST LEXINGTON DRIVE
 SPRINGFIELD, ILLINOIS 62707
 PROFESSIONAL ENGINEERING CORPORATION
 001716-0001, 001716-0017 FILE NO. 11-0001-0001-0001
 www.greenenbradford.com

COMPUTER FILE NO.
TYPICALSP2-6
 PROJECT 03145
 09/05/07-WCB