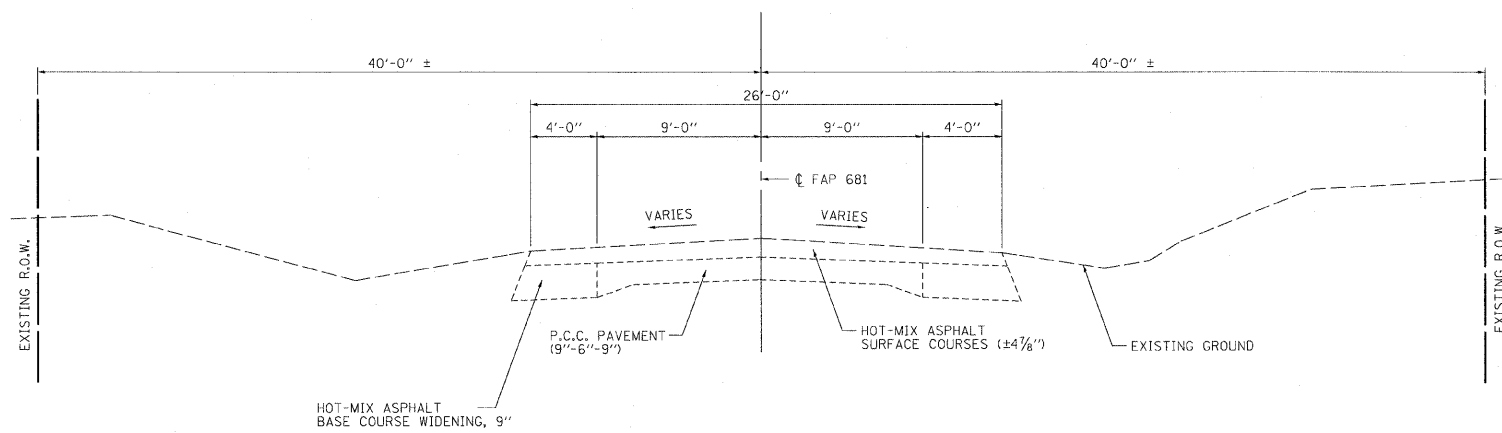
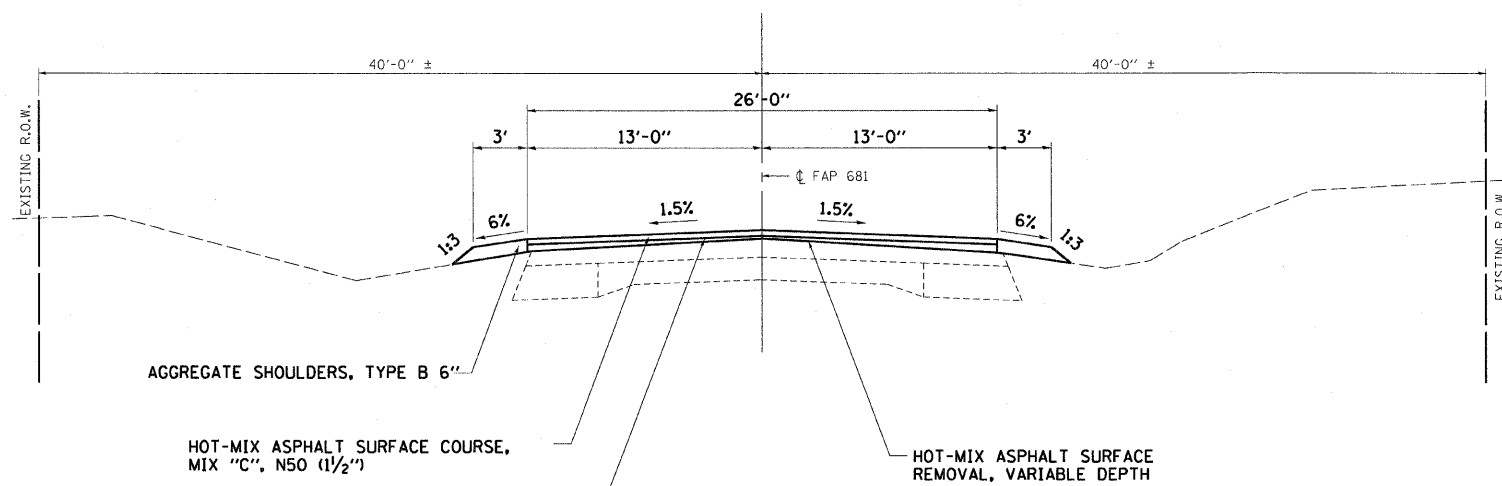


DESIGN		
INT.	DATE	REASON

F.A.P. RTE.	SECTION	COUNTY	TOTAL SHEETS	SHEET NO.
681	(115)RS-1	LIVINGSTON	279	13
STA.		TO STA.		
FED. ROAD DIST. NO.		ILLINOIS FED. AID PROJECT		
CONTRACT NO. 66375				



**EXISTING TYPICAL SECTION**  
STA. 200+00 TO STA. 204+00



**PROPOSED TYPICAL SECTION**  
STA. 200+00 TO STA. 204+00

PLOTS & CHECKS		
INT.	DATE	REASON

CHECKS		
INT.	DATE	REASON

REVISIONS	
NAME	DATE

ILLINOIS DEPARTMENT OF TRANSPORTATION  
**TYPICAL SECTIONS**  
FAP 681 (IL RTE. 116)  
SECTION (115)RS-1  
LIVINGSTON COUNTY  
VILLAGE OF CULLOM

SCALE: VERT. \_\_\_\_\_  
HORIZ. \_\_\_\_\_  
DATE: 11/05/03

DRAWN BY: JAMESON  
DESIGNED BY: BOTT  
CHECKED BY: COLBROOK

**GREENE & BRADFORD, INC.**  
OF SPRINGFIELD  
CONSULTING ENGINEERS  
PROFESSIONAL DESIGN FIRM NO. 06-0009  
REGISTERED & LICENSED ENGINEERING CORPORATION  
407 1/2 BRADLEY STREET, SPRINGFIELD, ILLINOIS 62761-1000

COMPUTER FILE NO.  
**TYPICALSP2-4**  
PROJECT **03145**  
09/05/07-WCB