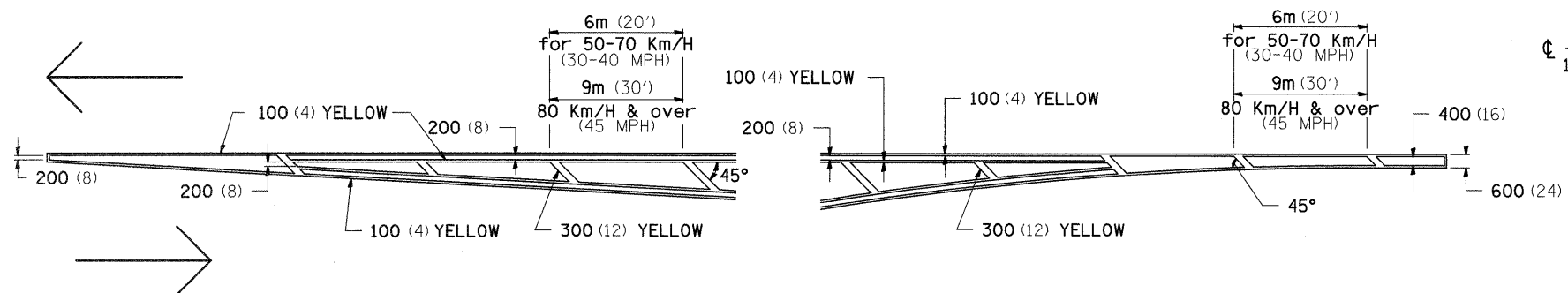
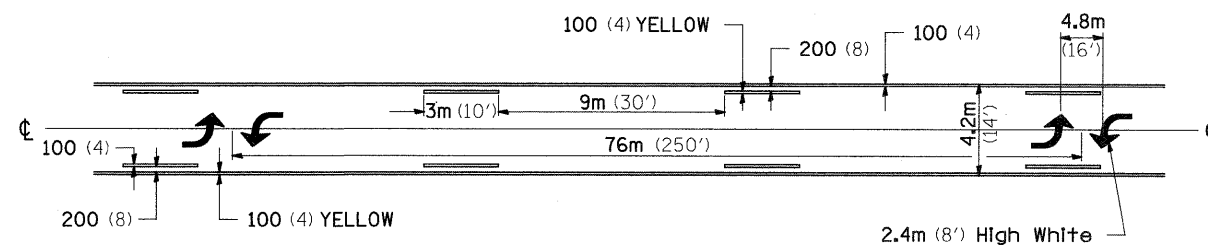


TYPICAL PAVEMENT MARKINGS

TYPICAL PAVEMENT MARKING FOR FLUSH MEDIAN AT LEFT TURN LANE

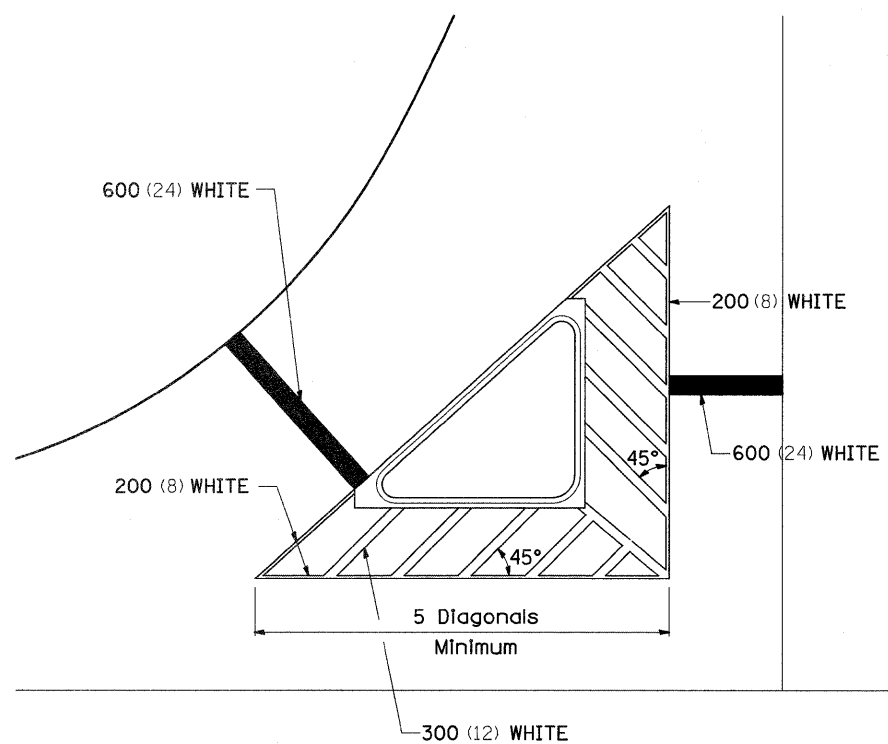


MEDIAN PAVEMENT MARKING

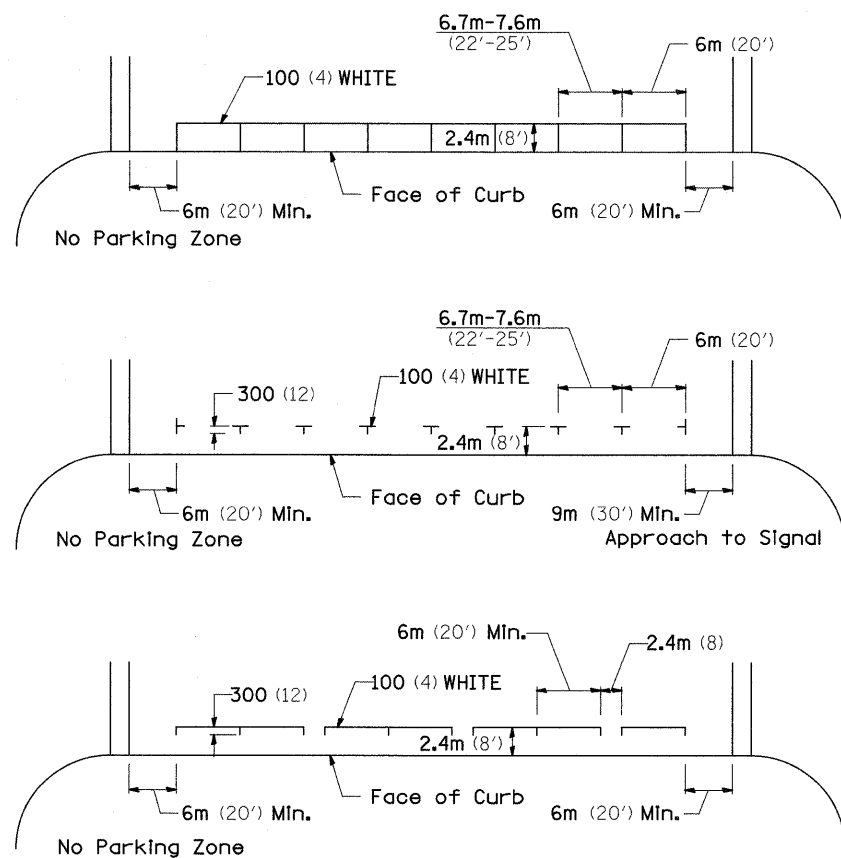


•• ALL DIMENSIONS ARE IN MILLIMETERS (INCHES) UNLESS OTHERWISE NOTED.

TYPICAL ISLAND OFFSET SHOULDER WIDTH

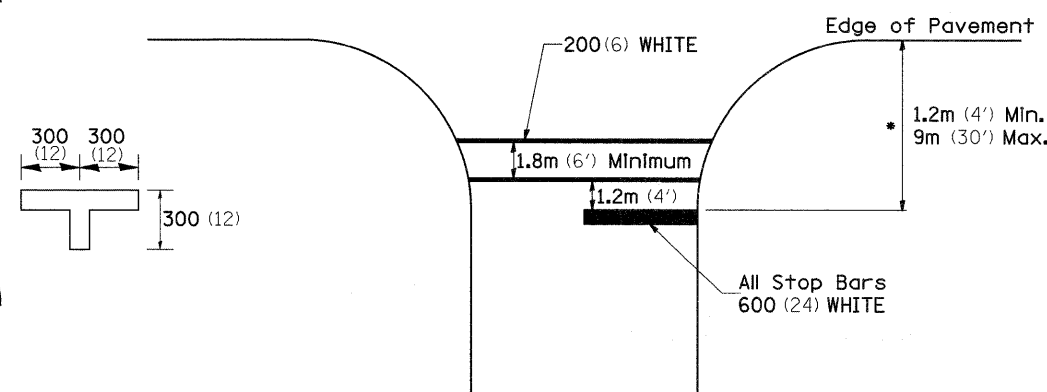


TYPICAL PARKING SPACING



STANDARD CROSSWALK MARKING

See Schedules for Locations



* Distance to the nearest edge of the intersecting roadway in the absence of a marked crosswalk.

FILE NAME =	USER NAME = duncanfa	DESIGNED -	REVISED - 10-21-08	STATE OF ILLINOIS DEPARTMENT OF TRANSPORTATION	REGION 2 / DISTRICT 2 STANDARD	F.A.I. RTE.	SECTION	COUNTY	TOTAL SHEETS	SHEET NO.	
cr:\pw\work\PWIDOT\DUNCANFA\dms33952\dms33952-shr-ta.dgn	PLOT SCALE = 50.0000' / IN.	DRAWN -	REVISED -			74	81-(1-2,1,2-2)RS-1&M	ROCK ISLAND	246	239	
	PLOT DATE = Fri Feb 06 10:54:57 2009	CHECKED -	REVISED -			CONTRACT NO. 64A97					
		DATE	REVISED -			FED. ROAD DIST. NO. ILLINOIS FED. AID PROJECT					