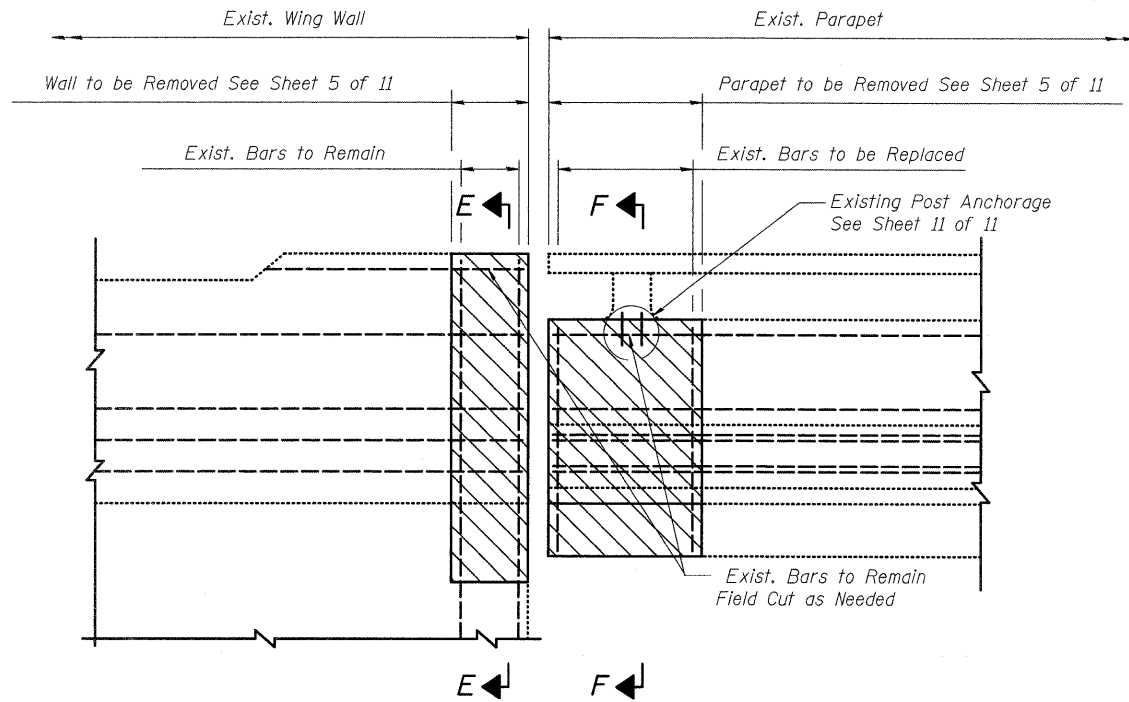


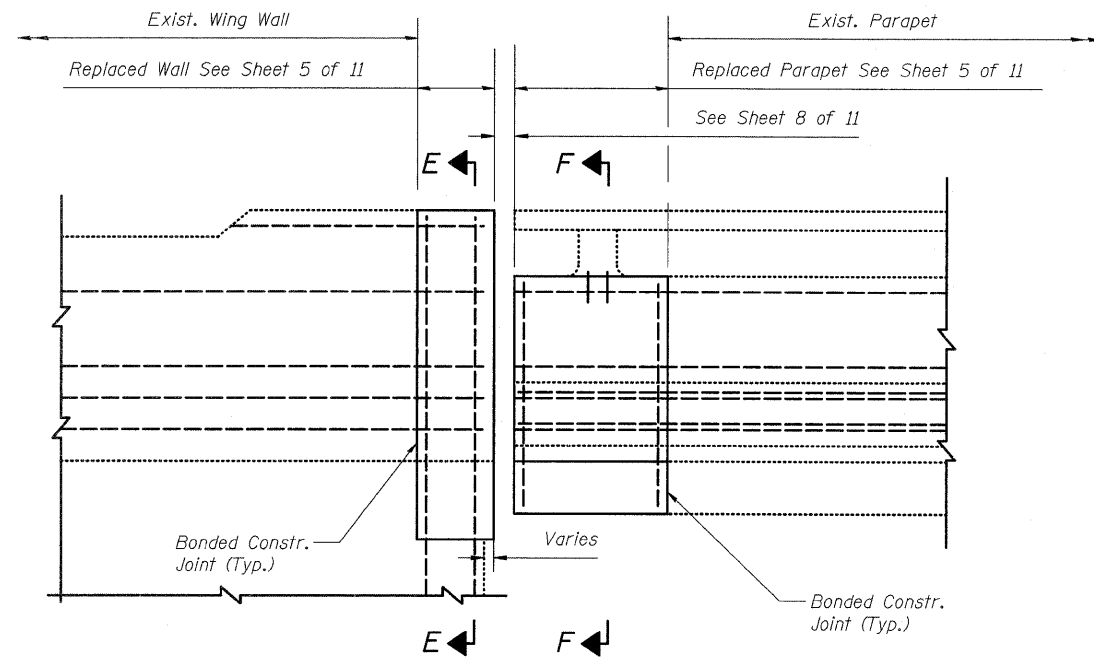
STATE OF ILLINOIS  
DEPARTMENT OF TRANSPORTATION

ROUTE NO. FAI 74	SECTION #	COUNTY ROCK ISLAND	TOTAL SHEETS 246	SHEET NO. 217	SHEET NO. 7 11 SHEETS
FED. ROAD DIST. NO. 7		ILLINOIS FED. AID PROJECT-			

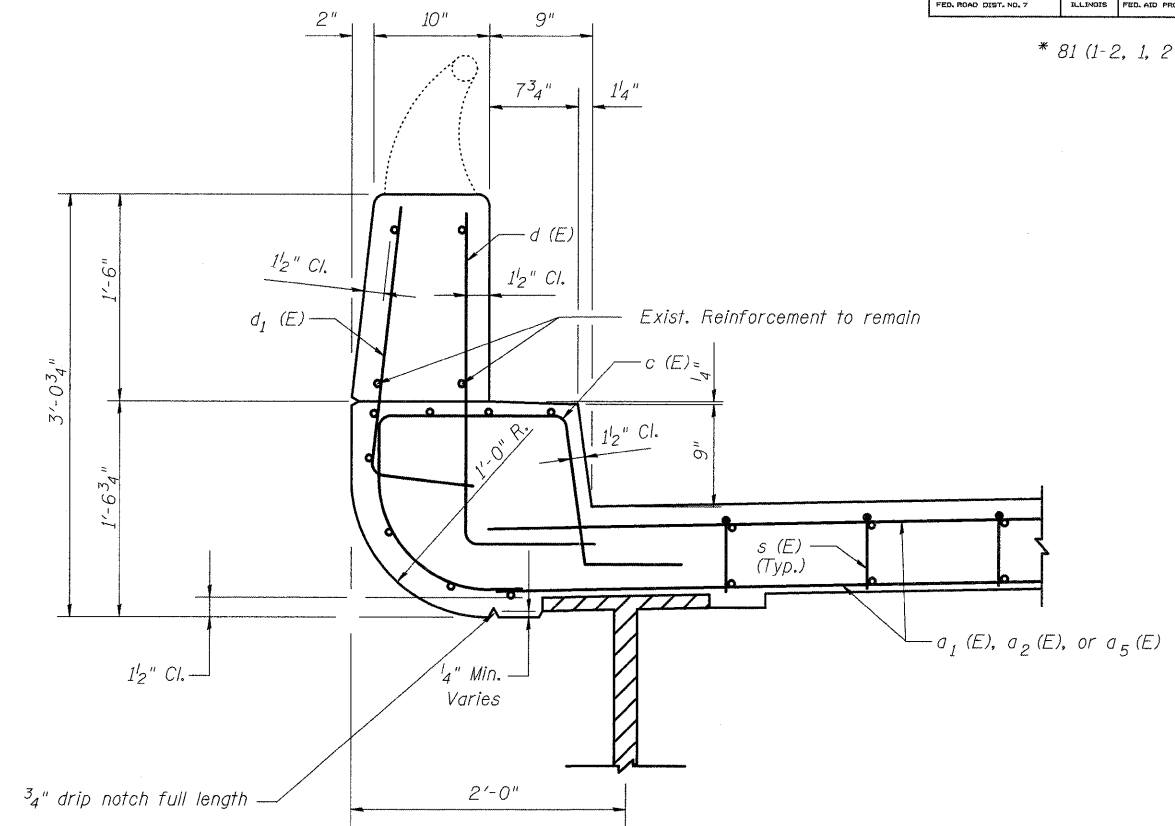
\* 81 (1-2, 1, 2-2) RS-1 & M



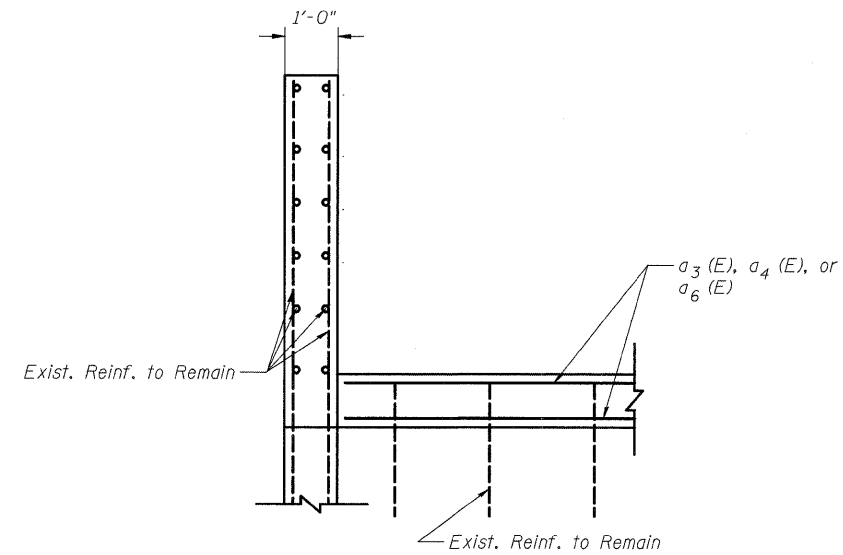
**ELEVATION OF CONCRETE REMOVAL THRU PARAPET AND WING WALL**



**ELEVATION OF CONCRETE REPLACEMENT THRU PARAPET AND WING WALL**




**SECTION F-F THRU BRIDGE DECK PARAPET**



**SECTION E-E THRU ABUTMENT BACKWALL AND WING WALL**

DESIGNED	DFM
CHECKED	DSG
DRAWN	EBS
CHECKED	DFM

 Hatched areas indicate concrete sections to be removed and replaced. Perimeters of concrete removal areas shall be saw cut 3/4" prior to the removal of concrete.

**PARAPET AND RETAINING WALL DETAILS**  
**F.A.I. 74 (OVER 38TH AVE.)**  
**ROCK ISLAND COUNTY**  
**STRUCTURE NO. 081-0109**