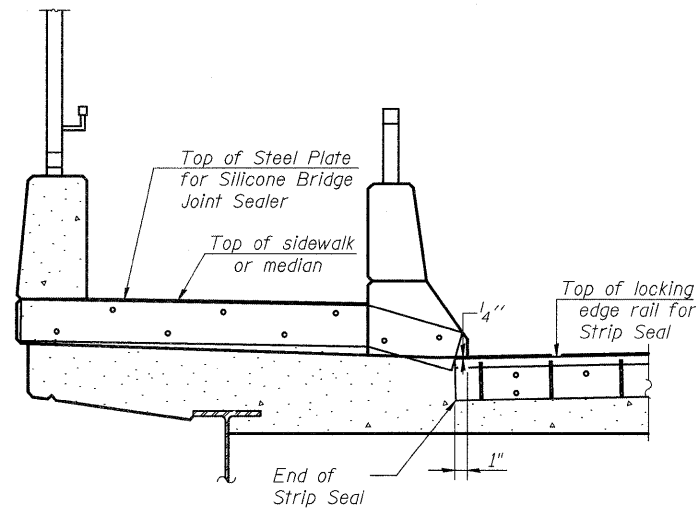


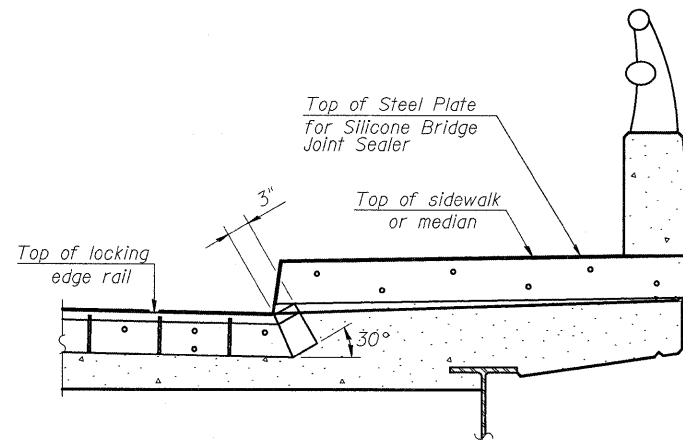
STATE OF ILLINOIS
DEPARTMENT OF TRANSPORTATION

ROUTE NO.	SECTION	COUNTY	TOTAL SHEETS	SHEET NO.	SHEET NO.
FAI 74	*	ROCK ISLAND	246	201	12 SHEETS
FED. ROAD DIST. NO. 7		ILLINOIS	FED. AID PROJECT		

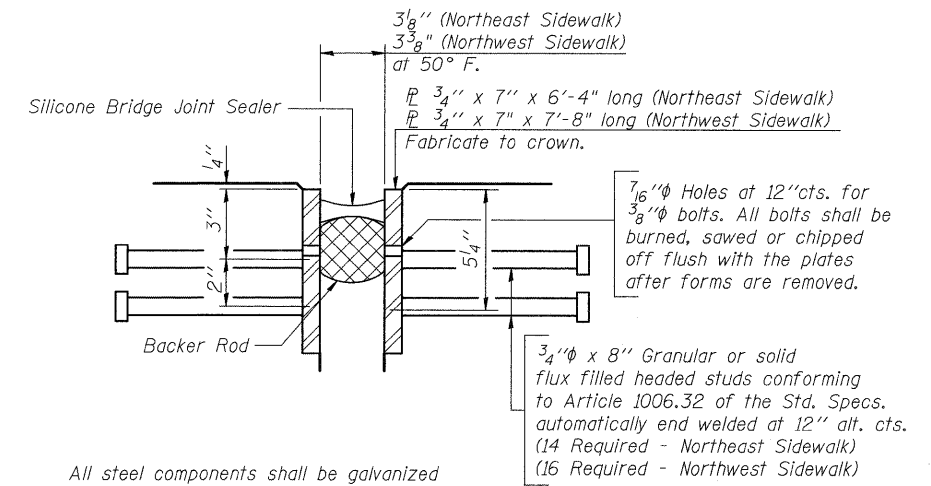
* 81 (1-2, 1, 2-2) RS-1 & M



AT NORTHEAST SIDEWALK



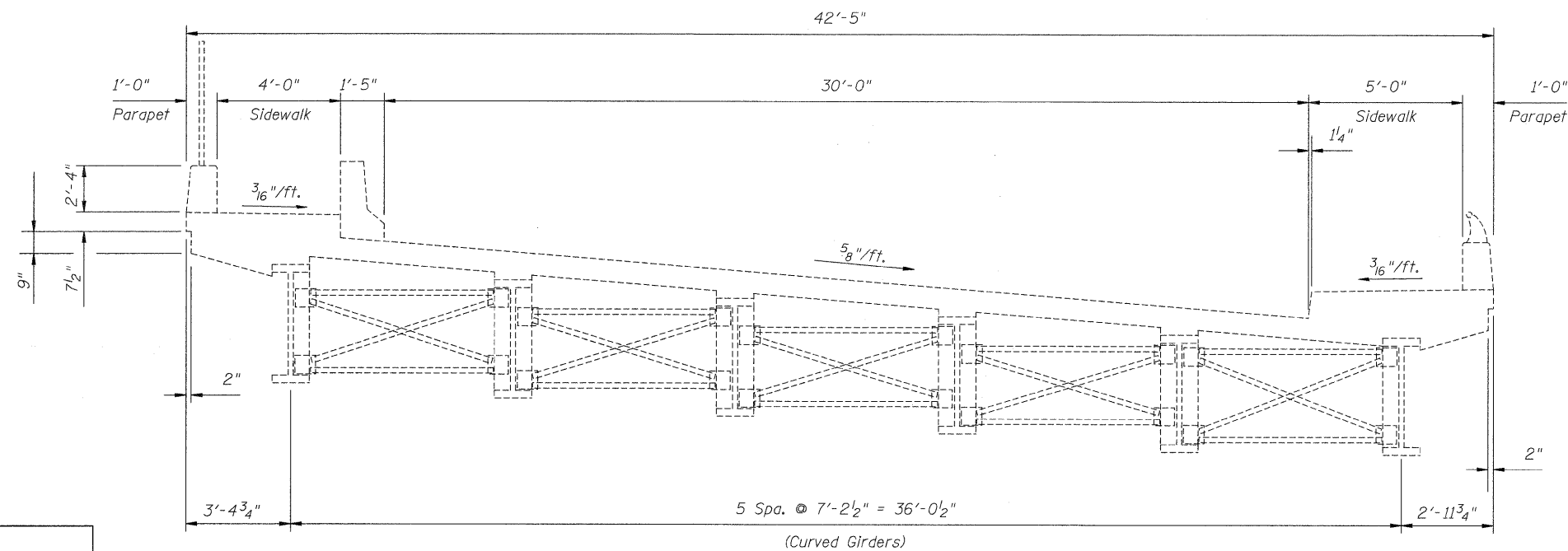
AT NORTHWEST SIDEWALK



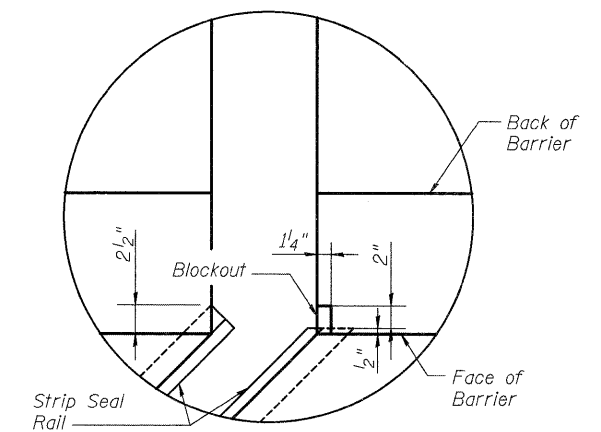
All steel components shall be galvanized after fabrication according to Article 520.03 of the Standard Specifications.

Assembly shown, including material and labor required to fabricate and install Steel Rails shall be included in cost of Silicone Bridge Joint Sealer.

SECTION THROUGH SIDEWALK JOINT
(North Abutment)



CROSS SECTION
(Looking South)



**NORTHEAST BARRIER
STRIP SEAL BLOCKOUT**

DESIGNED	DFM
CHECKED	CTH
DRAWN	EBS
CHECKED	DFM

BRIDGE REPAIR DETAILS
N.B. 27TH ST. OVER F.A.I. 74
ROCK ISLAND COUNTY
STRUCTURE NO. 081-0108