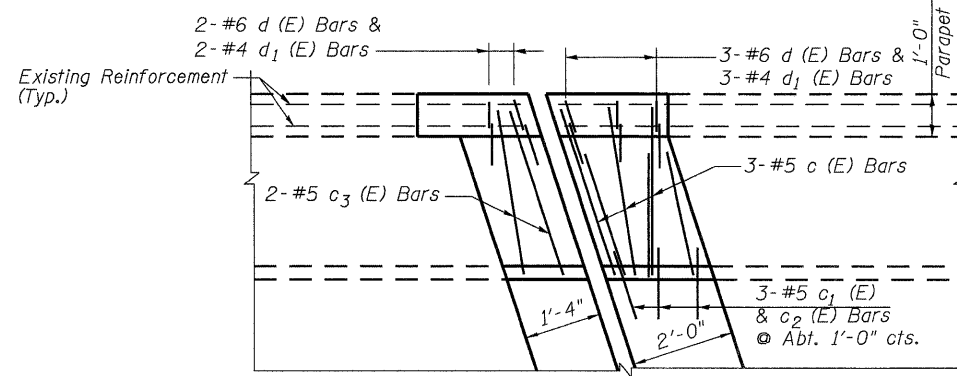


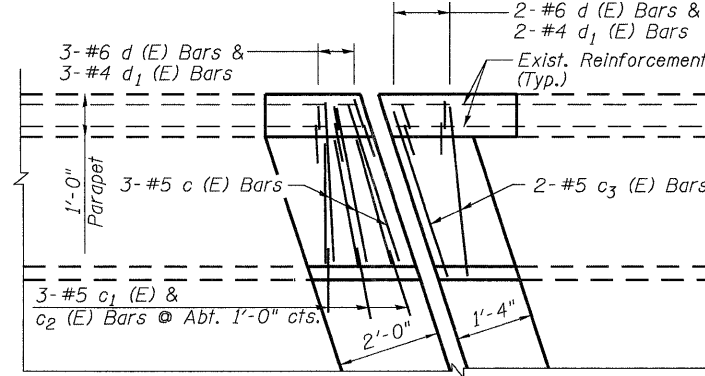
STATE OF ILLINOIS
DEPARTMENT OF TRANSPORTATION

ROUTE NO. FAI 74	SECTION *	COUNTY ROCK ISLAND	TOTAL SHEETS 246	SHEET NO. 193	SHEET NO. 6 11 SHEETS
FED. ROAD DIST. NO. 7		ILLINOIS	FED. AID PROJECT * 81 (1-2, 1, 2-2) RS-1 & M		



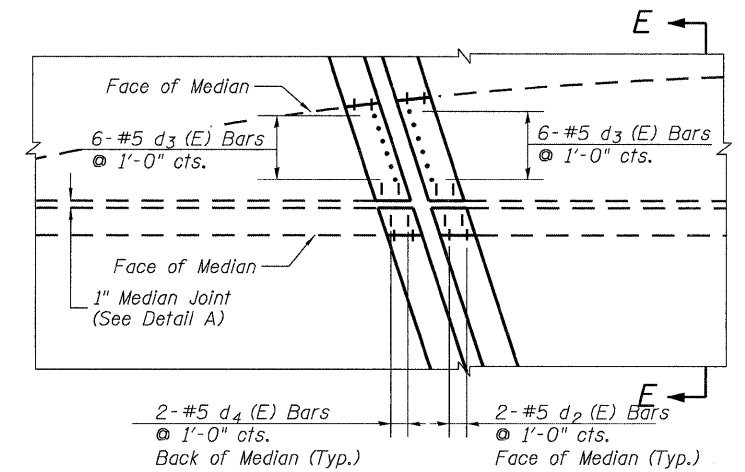
NORTHWEST SIDEWALK PLAN AT EXPANSION JOINTS

(Same reinforcing shall be used for the Southeast sidewalk)

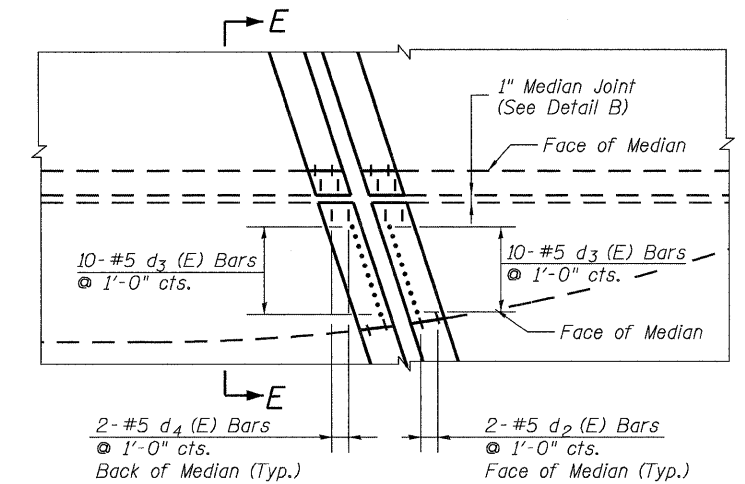


NORTHEAST SIDEWALK PLAN AT EXPANSION JOINTS

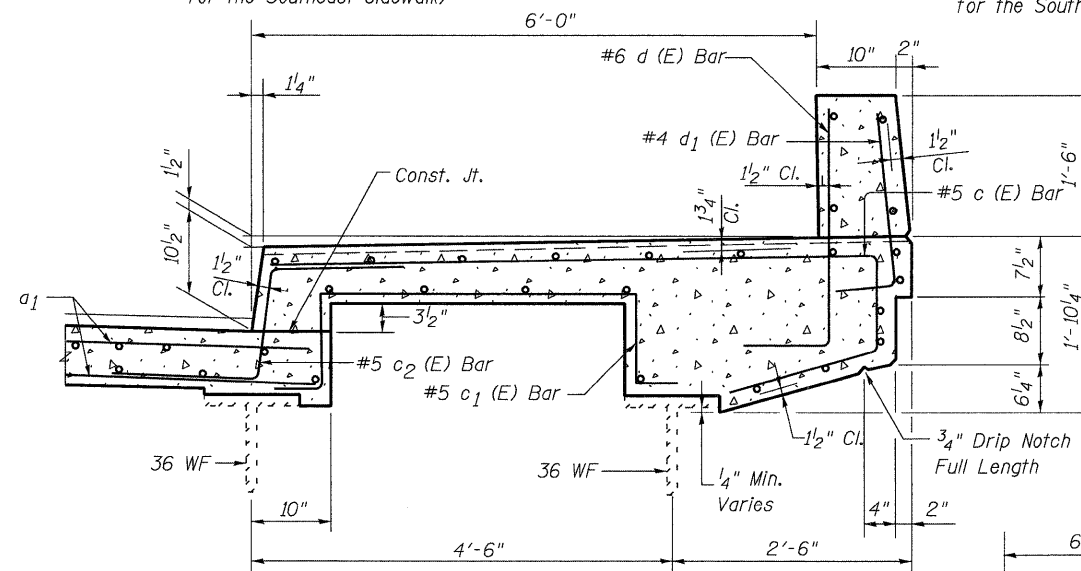
(Same reinforcing shall be used for the Southwest sidewalk)



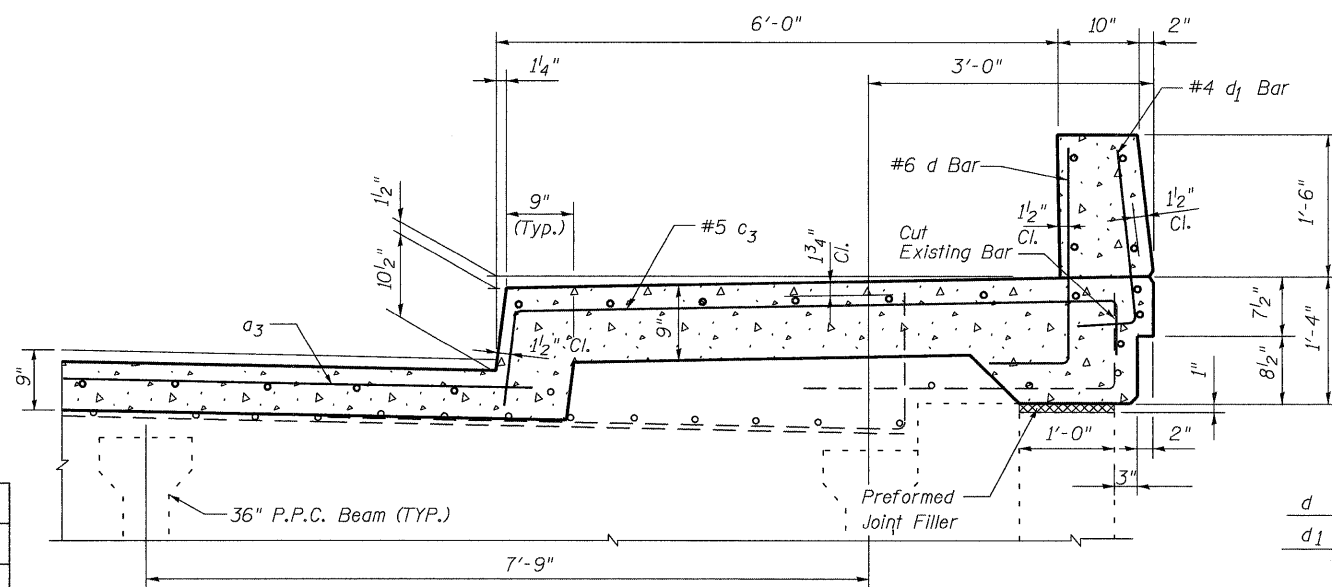
EAST MEDIAN PLAN AT EXPANSION JOINT



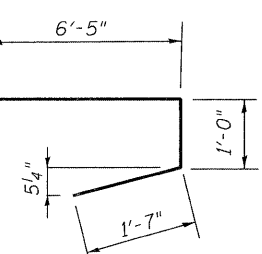
WEST MEDIAN PLAN AT EXPANSION JOINT



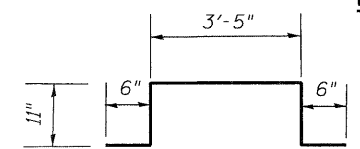
WF BEAMS SIDEWALK SECTION AT EXPANSION JOINT



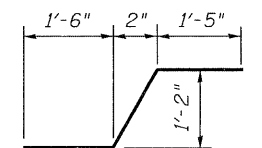
AT PRESTRESSED BEAMS AT ABUTMENTS



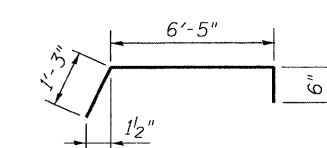
BAR c (E)



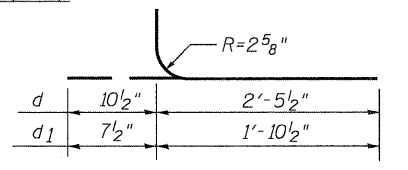
BAR c1 (E)



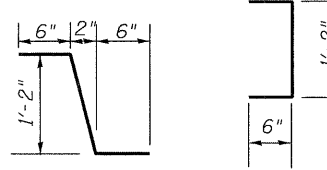
BAR c2 (E)



BAR c3 (E)



BAR d (E) & d1 (E)



BAR d2 (E) & BAR d4 (E)

BILL OF MATERIALS

BAR	NO.	SIZE	LENGTH	SHAPE
c (E)	12	#5	9'-0"	U
c1 (E)	12	#5	6'-3"	U
c2 (E)	12	#5	4'-1"	U
c3 (E)	8	#5	8'-2"	U
d (E)	20	#6	3'-4"	L
d1 (E)	20	#4	2'-6"	L
d2 (E)	16	#5	2'-2"	L
d3 (E)	32	#5	1'-0"	L
d4 (E)	16	#5	2'-2"	L
Reinforcement Bars Epoxy Coated			Pound	550

For Section E-E see sheet 5 of 11.

PARAPET, MEDIAN, AND SIDEWALK DETAILS
23RD AVE. OVER F.A.I. 74
ROCK ISLAND COUNTY
STRUCTURE NO. 081-0105

DESIGNED	DFM
CHECKED	DFM
DRAWN	EBS
CHECKED	DFM