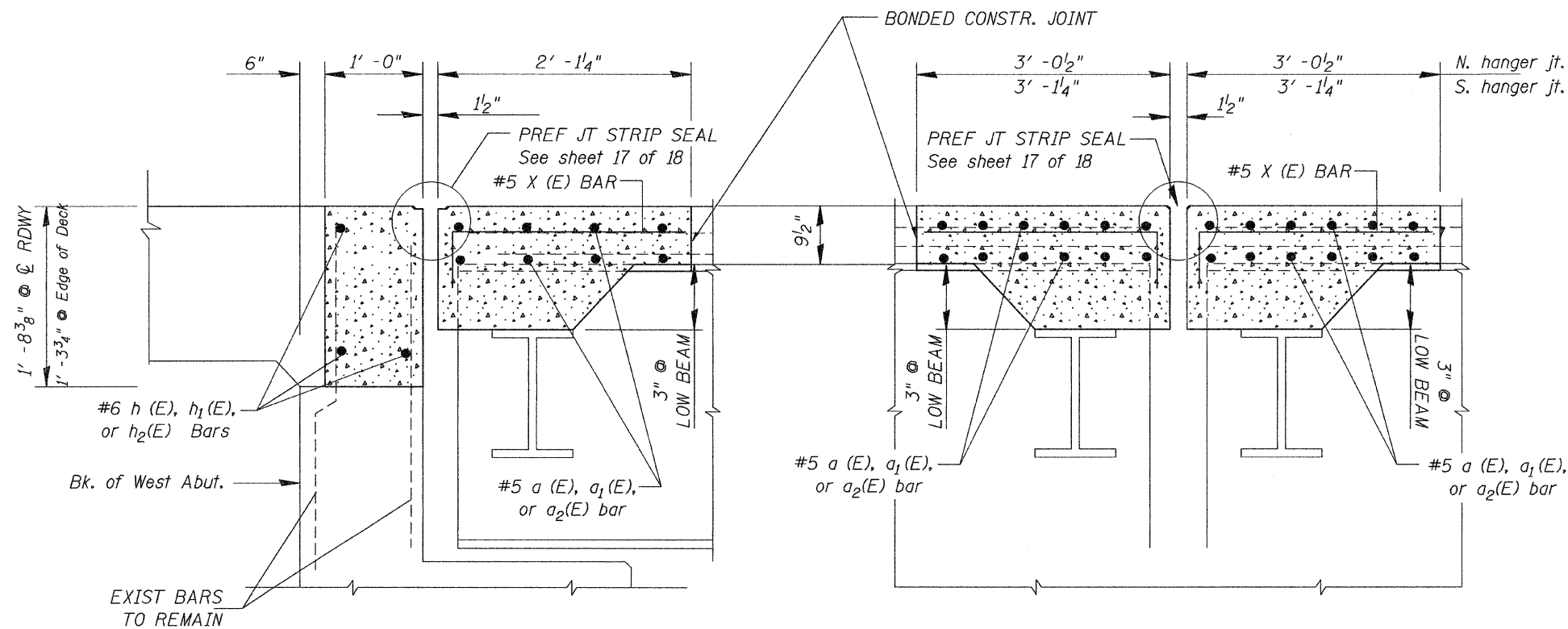


EXIST SECTION THRU ABUTMENTS

EXIST SECTION THRU DECK JOINTS

(Looking East)

Note: Dimensions are based on a Rolled Rail Strip Seal Joint. If the contractor elects to use the Welded Rail Strip Seal Joint, deck dimensions may require adjustments to satisfy the details on Base Sheet EJ-SSJ.



PROP SECTION THRU ABUTMENTS

PROP SECTION THRU DECK JOINTS

See sheet 16 of 18 for bar details.

JOINT DETAILS
 I-74 OVER 19th STREET
 FAI 74 (I-74)
 SECTION 81-(1-2,1,2-2)RS-1 & M
 ROCK ISLAND COUNTY
 STRUCTURE NUMBER 081-0100 (NB)

Sheet 15 of 18

FILE NAME =	USER NAME = #USER#	DESIGNED - -	REVISED - -	STATE OF ILLINOIS DEPARTMENT OF TRANSPORTATION	JOINT DETAILS	F.A.I. RTE.	SECTION	COUNTY	TOTAL SHEETS	SHEET NO.
#FILE#		DRAWN - -	REVISED - -			74	81-(1-2,1,2-2)RS-1 & M	ROCK ISLAND	246	144
PLOT SCALE = #SCALE#		CHECKED - -	REVISED - -			SCALE: _____ SHEET NO. ____ OF ____ SHEETS STA. _____ TO STA. _____		CONTRACT NO. 64A97		
PLOT DATE = #DATE#		DATE - -	REVISED - -			FED. ROAD DIST. NO. - ILLINOIS FED. AID PROJECT				