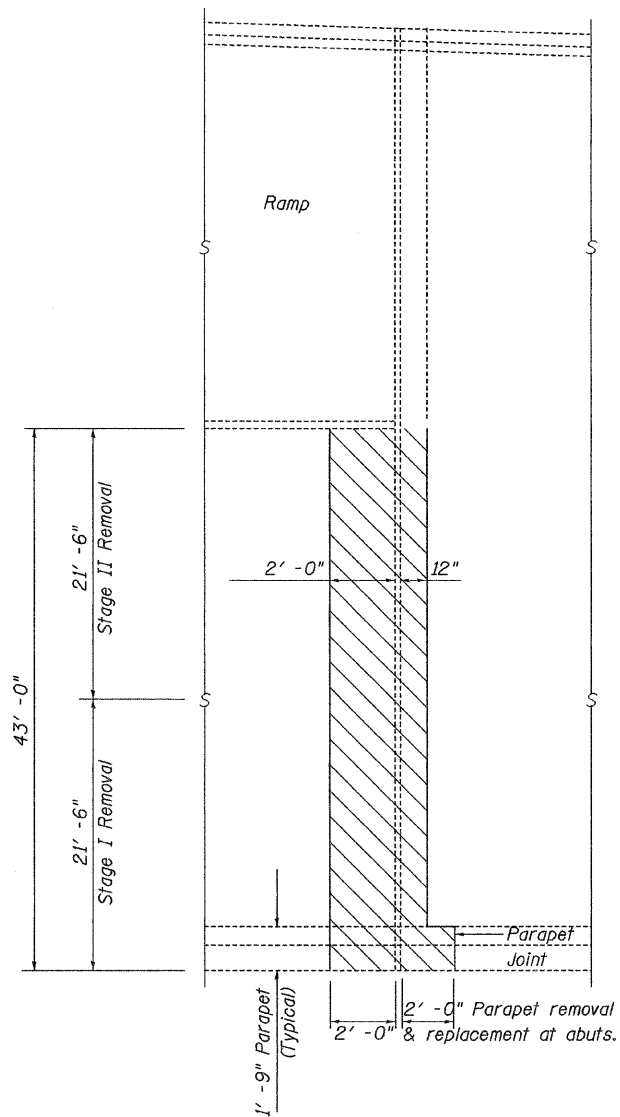
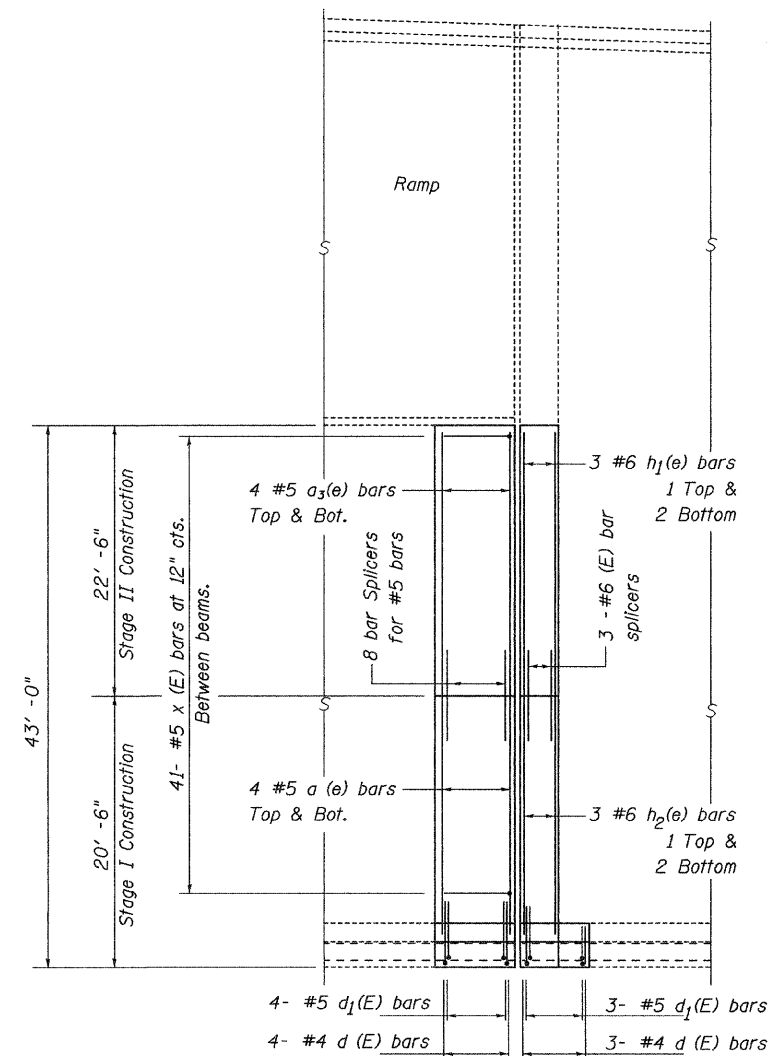


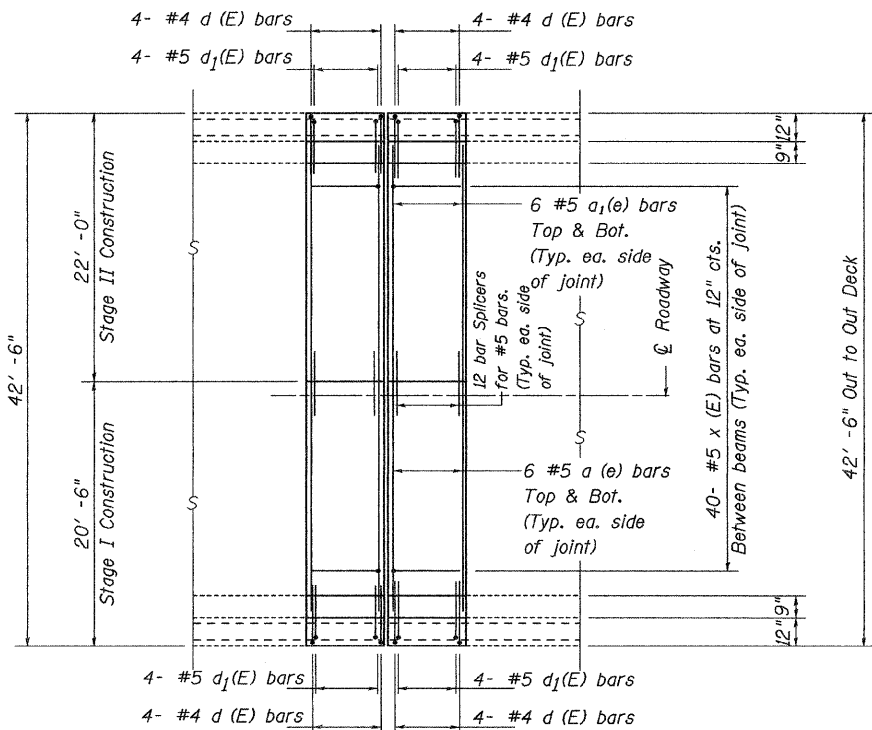
EXISTING PARTIAL PLAN
(South Link Connection)



EXISTING PARTIAL PLAN
(South Abutment)



PROPOSED PARTIAL PLAN
(South Abutment)



PROPOSED PARTIAL PLAN
(South Link Connection)

See sheet 16 of 18
for bar details.

JOINT DETAILS
I-74 OVER 19th STREET
FAI 74 (I-74)
SECTION 81-(1-2,1,2-2)RS-1 & M
ROCK ISLAND COUNTY
STRUCTURE NUMBER 081-0100 (NB)

Sheet 14 of 18

FILE NAME =	USER NAME = #USER#	DESIGNED - -	REVISED - -	STATE OF ILLINOIS DEPARTMENT OF TRANSPORTATION	Joint Details	F.A.I. RTE.	SECTION	COUNTY	TOTAL SHEETS	SHEET NO.	
#FILE#		DRAWN - -	REVISED - -			74	81-(1-2,1,2-2)RS-1 & M	ROCK ISLAND	146	142	
		CHECKED - -	REVISED - -			CONTRACT NO. 64A97		FED. ROAD DIST. NO. - ILLINOIS FED. AID PROJECT			
		DATE - -	REVISED - -								
PLOT SCALE = #SCALE#		PLOT DATE = #DATE#		SCALE: _____		SHEET NO. ___ OF ___ SHEETS		STA. _____ TO STA. _____			