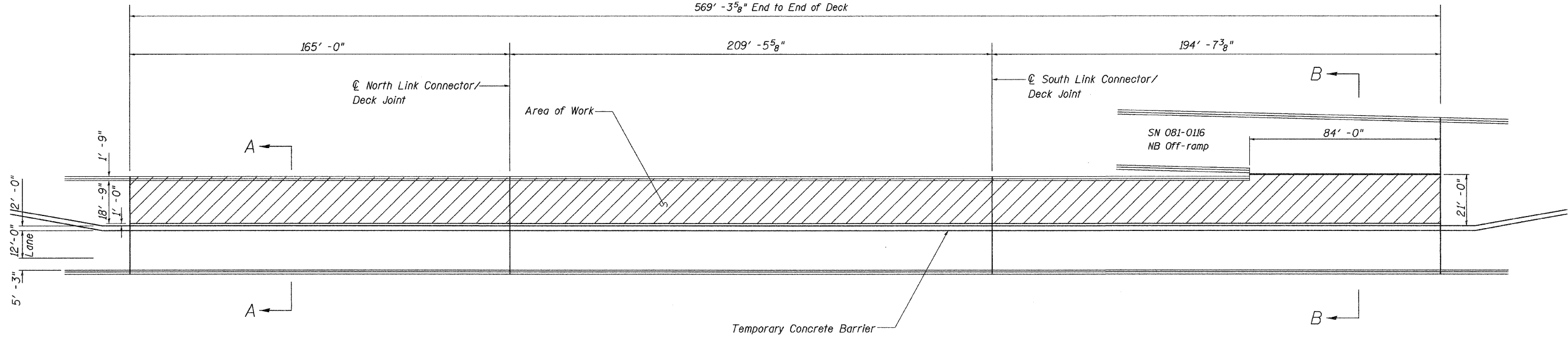


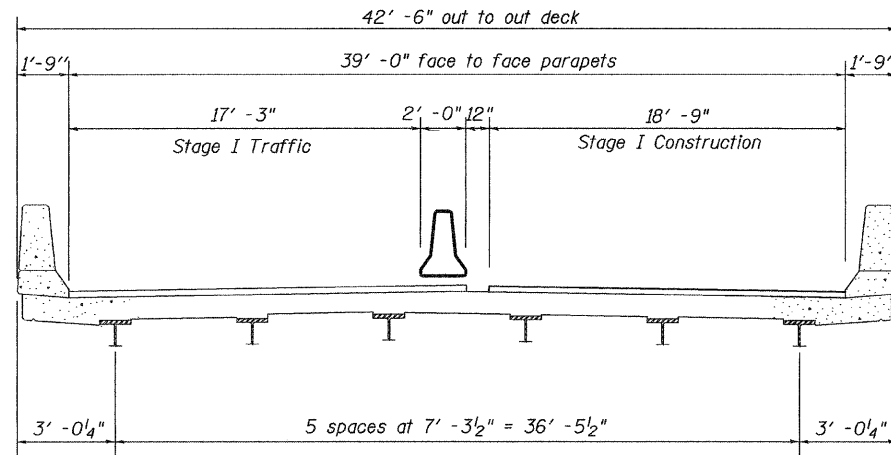
STAGING PLAN

STAGE I CONSTRUCTION
Structure 081-0100 Northbound

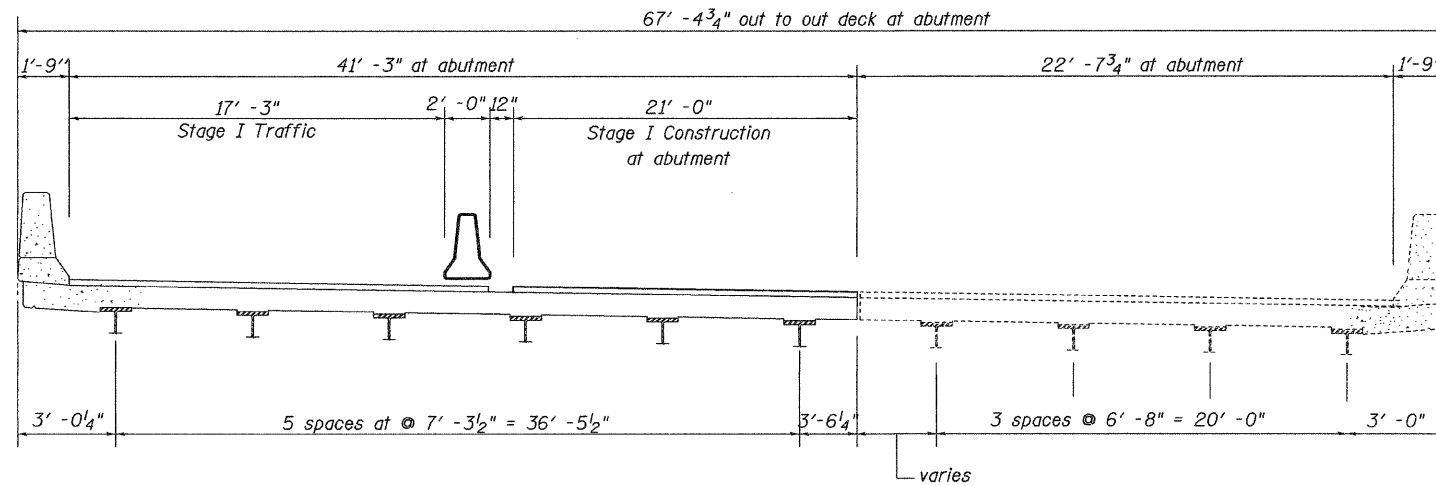
569' - 3⁵/₈" End to End of Deck



DECK PLAN - Structure 081-0100 Northbound



CROSS SECTION A-A Structure 081-0100 Northbound
(Normal Section - Looking North)



CROSS SECTION B-B Structure 081-0100 Northbound
(At South Abutment - Looking North)

Structure 081-0116
(Not part of this contract)

STAGE I CONSTRUCTION

- Install Temporary Concrete Barrier.
- Move Traffic to Stage I Traffic.
- Sawcut concrete wearing surface.
- Replace bridge joints & repair deck.
- Install new wearing surface & waterproofing membrane.

Sheet 10 of 18

STAGING PLAN
I-74 OVER 19th STREET
FAI 74 (I-74)
SECTION 81-(1-2,1,2-2)RS-1 & M
ROCK ISLAND COUNTY
STRUCTURE NUMBER 081-0100 (NB)

FILE NAME =	USER NAME = #USER#	DESIGNED - -	REVISED - -	STATE OF ILLINOIS DEPARTMENT OF TRANSPORTATION	STAGING PLAN	F.A.I. RTE.	SECTION	COUNTY	TOTAL SHEETS	SHEET NO.	
#FILE#		DRAWN - -	REVISED - -			74	81-(1-2,1,2-2)RS-1 & M	ROCK ISLAND	246	129	
	PLOT SCALE = #SCALE#	CHECKED - -	REVISED - -			SCALE: _____ SHEET NO. ____ OF ____ SHEETS STA. _____ TO STA. _____		CONTRACT NO. 64A97			
	PLOT DATE = #DATE#	DATE - -	REVISED - -			FED. ROAD DIST. NO. - ILLINOIS FED. AID PROJECT					