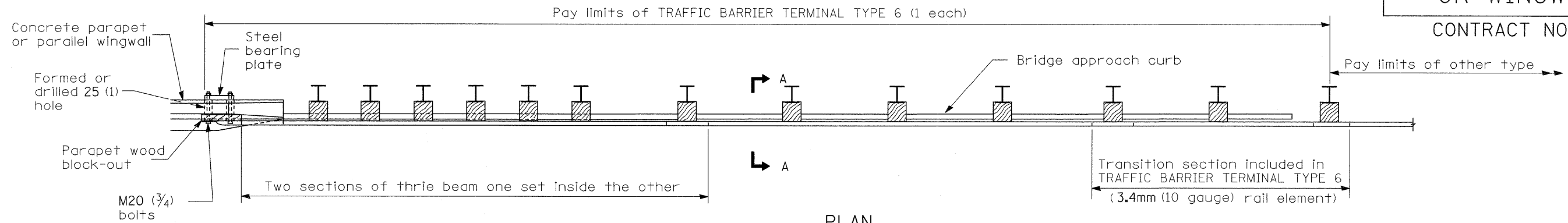
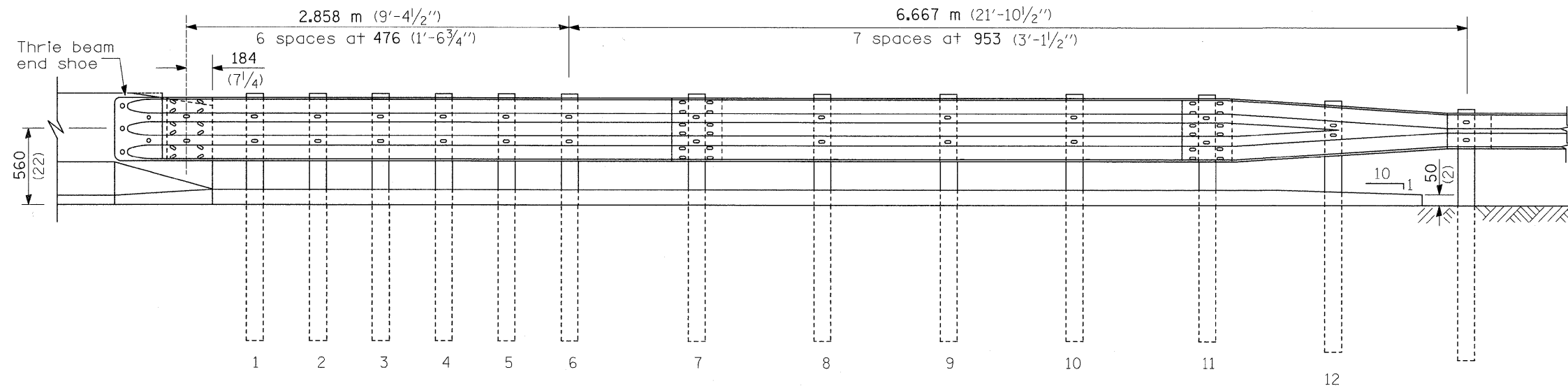


PARAPET
OR WINGWALL

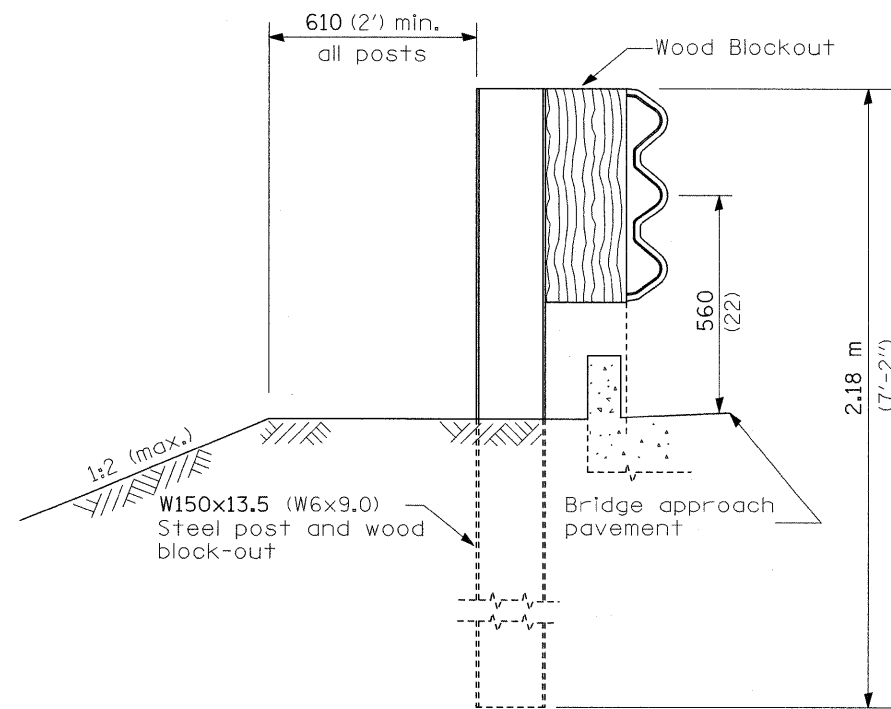
CONTRACT NO: 64A97



PLAN



ELEVATION



SECTION A-A

GENERAL NOTES

THIS HIGHWAY STANDARD (631031-05, REVISION 207) IS TO BE USED FOR "TRAFFIC BARRIER TERMINAL, TYPE 6 (SPECIAL)".

See District Standard 53.1 for details of guardrail not shown.

Thrie beam rail shall be bolted to block-out at all posts.

All slope ratios are expressed as units of vertical displacement to units of horizontal displacement (V:H).

All dimensions are in millimeters (inches) unless otherwise shown.

TRAFFIC BARRIER
TERMINAL, TYPE 6
(SPECIAL)