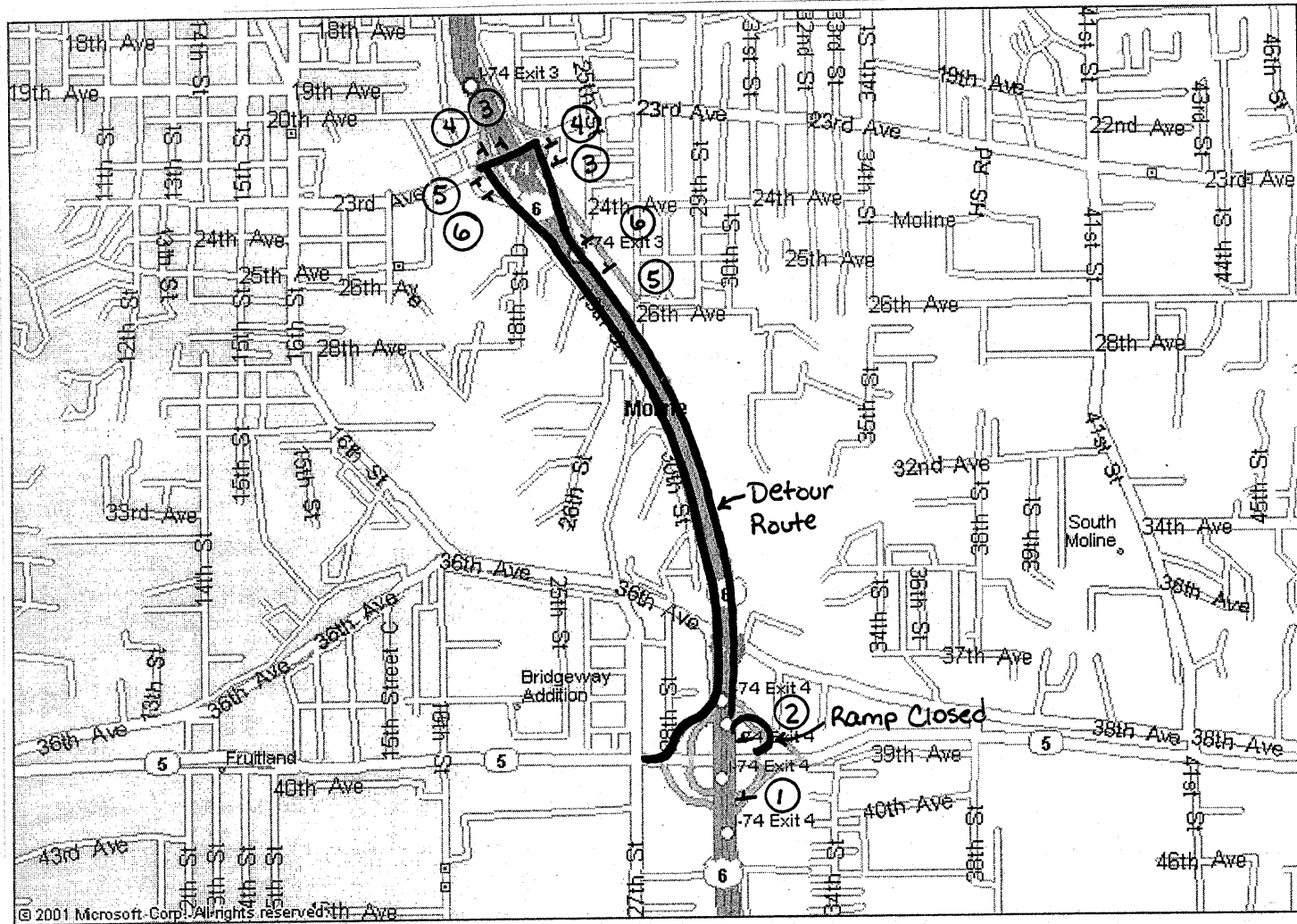









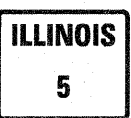











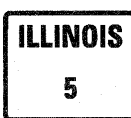



DETOUR FOR I-74 WB (NB) TO IL 5 WB



SIGN LEGEND



<p>①  W 20-2 (48)</p> <p> M3-4 30X15 WHITE</p> <p> M1-I100 36 WHITE</p>	<p>②  M4-8(0)(30x15)</p> <p> M3-4 30X15 WHITE</p> <p> M1-I100 36 WHITE</p> <p> M6-3 30X18 ORANGE</p>	<p>③  M4-8(0)(30x15)</p> <p> M3-4 30X15 WHITE</p> <p> M1-I100 36 WHITE</p> <p> M5-1L(0)(30x18)</p>
<p>④  M4-8(0)(30x15)</p> <p> M3-4 30X15 WHITE</p> <p> M1-I100 36 WHITE</p> <p> M6-1L 30X18 ORANGE</p>	<p>⑤  M4-8(0)(30x15)</p> <p> M3-4 30X15 WHITE</p> <p> M1-I100 36 WHITE</p> <p> M5-2R(0)(30x18)</p>	<p>⑥  M4-8(0)(30x15)</p> <p> M3-4 30X15 WHITE</p> <p> M1-I100 36 WHITE</p> <p> M6-2R 30X18 ORANGE</p>

- NOTE: OVERHEAD AND GROUND MOUNT BREAKAWAY STEEL SUPPORT SIGNS TO BE COVERED OR ALTERED.
- SIGN TRUSS BETWEEN I-280 AND IL 5 COMPLETELY COVER (WITH TARP) "MOLINE NEXT 4 EXITS"
 - GROUND MOUNT FOR COLLEGES COVER THE BOTTOM HALF OF SIGN "AUGUSTANA COLLEGE EXIT 4A"
 - SIGN TRUSS AT IL 5 EB PLACE "CLOSED" PLATE OVER "IL 5 WEST NEXT RIGHT" SIGN
 - CANTILEER AT IL 5 WB PLACE "CLOSED" PLATE OVER SIGN

DETOUR ROUTE:
CONTINUE NORTH ON I-74
EXIT AT AVE. OF THE CITIES
WEST ON AVE. OF THE CITIES
SOUTH ON I-74

FILE NAME =	USER NAME = duncanfa	DESIGNED -	REVISED -	STATE OF ILLINOIS DEPARTMENT OF TRANSPORTATION	DETOUR FOR I-74 WB TO IL 5 WB			F.A.I. RTE. 505	SECTION *	COUNTY ROCK ISLAND	TOTAL SHEETS 246	SHEET NO. 114
ct:\pwork\FWIDOT\DUNCANFA\dms33952\090605-sht-ts.dgn		DRAWN -	REVISED -		SCALE:	SHEET NO. OF SHEETS	STA. TO STA.	CONTRACT NO. 64A97				
		CHECKED -	REVISED -		ILLINOIS FED. AID PROJECT							
		PLOT DATE = Fri Feb 06 10:54:53 2009	DATE -		81-11-2.1.2-2RS-1&M							