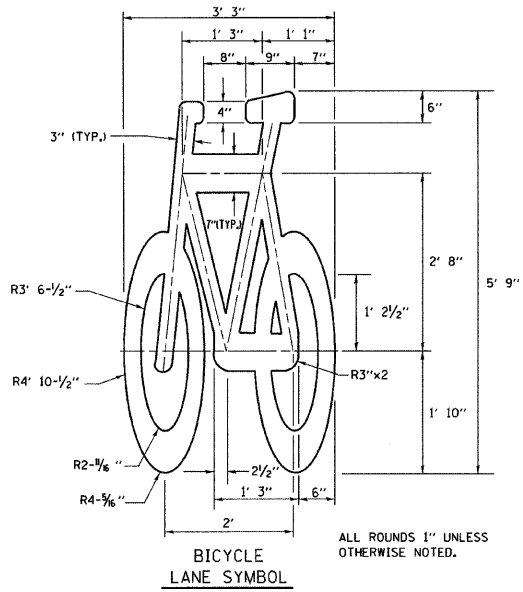
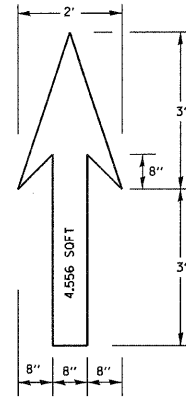
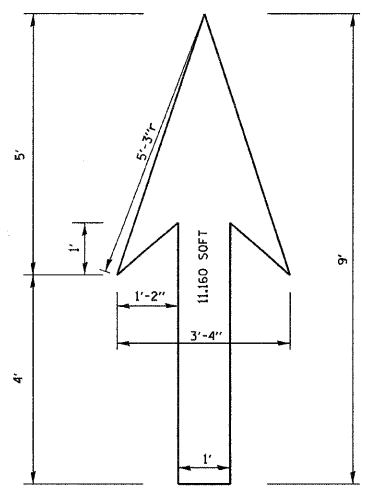


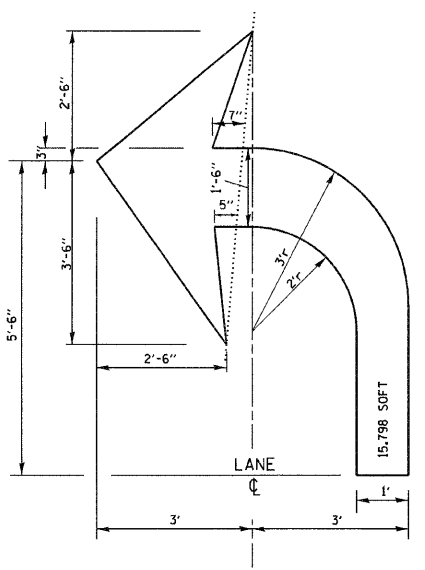
F.A. RTE.	SECTION	COUNTY	TOTAL SHEETS	SHEET NO.
			101	101
STA.		TO STA.		
FED. ROAD DIST. NO.		ILLINOIS FED. AID PROJECT		



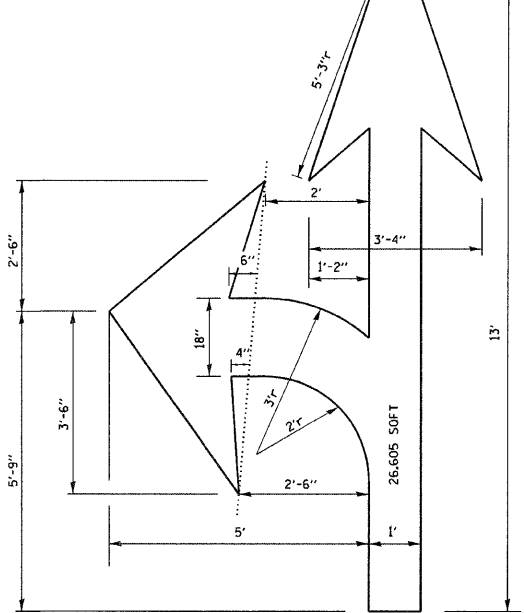
DRAWING #29



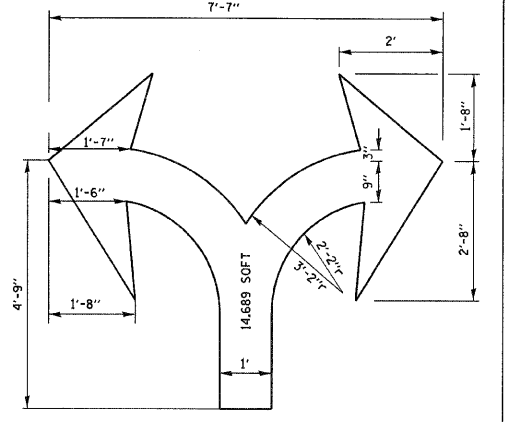
DRAWING #30



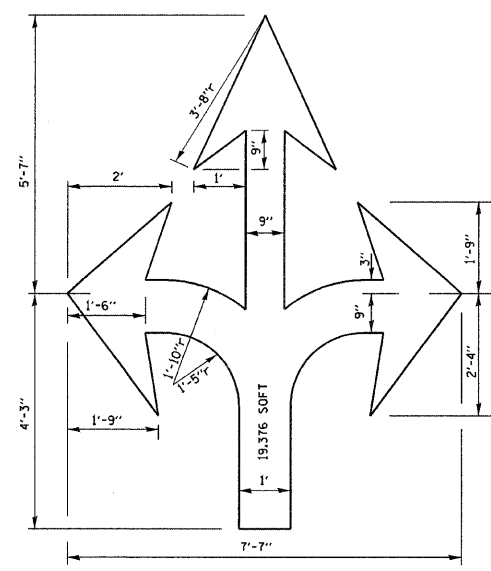
DRAWING #31



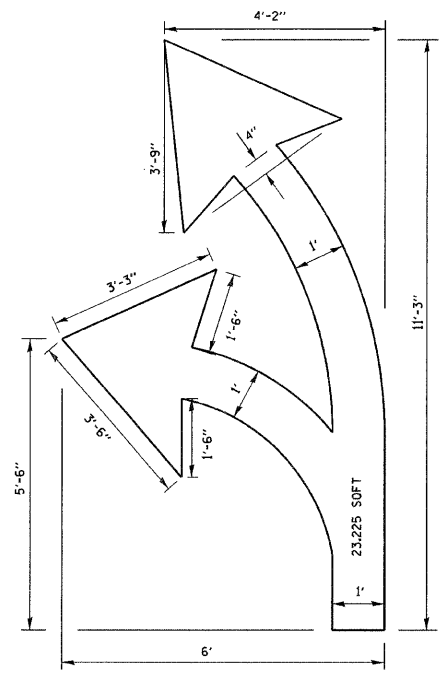
DRAWING #32



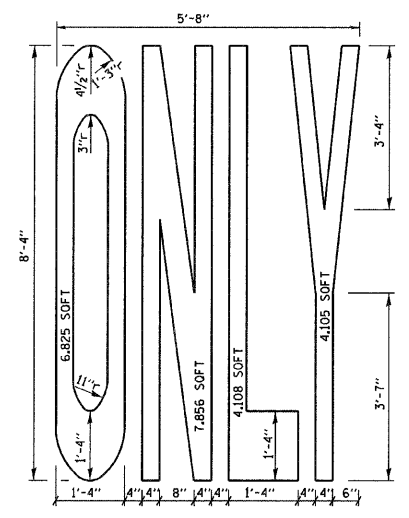
DRAWING #33



DRAWING #34



DRAWING #35



NOTE:
ALL MARKINGS SHALL BE SOLID WHITE UNLESS OTHERWISE NOTED IN THE PLANS

NOTE:
1.) FOR BIKE LANE SYMBOLS ONLY, USE PRE-FORMED THERMOPLASTIC WITH A MINIMUM THICKNESS OF 90 MILS, MINIMUM SKID RESISTANCE VALUE OF 60 BPN, & A MINIMUM INDEX OF REFRACTION OF 1.50.
2.) THE RESIDENT ENGINEER SHALL CONTACT MR. BEN GOMBERG AT 312-744-8093 AT LEAST ONE CALENDAR WEEK PRIOR TO INSTALLING BIKE LANE SYMBOLS.

TYPICAL BIKE LANE SYMBOLS
DRAWING #28

REVISIONS	
NAME	DATE
T. RAMMACHER	12/07/00

ILLINOIS DEPARTMENT OF TRANSPORTATION
CITY OF CHICAGO
TYPICAL PAVEMENT MARKINGS

SCALE: NONE
DRAWN BY: _____
CHECKED BY: _____
TC-24