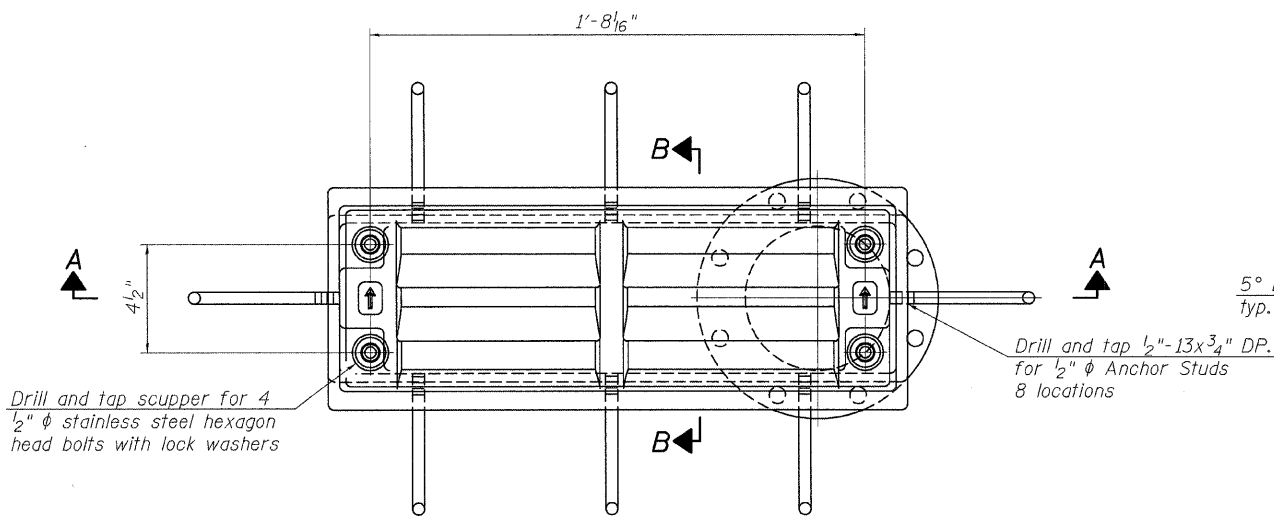
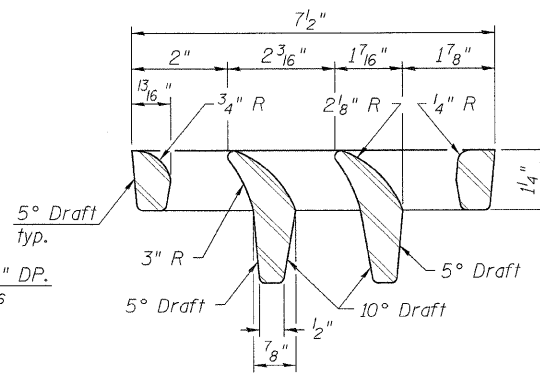


F.A.I. RTE.	SECTION	COUNTY	TOTAL SHEETS	SHEET NO.
57	1920.1B-R	COOK	101	076
STA.		TO STA.		
FED. ROAD DIST. NO. 1		ILLINOIS FED. AID PROJECT		
CONTRACT NO. 62533				

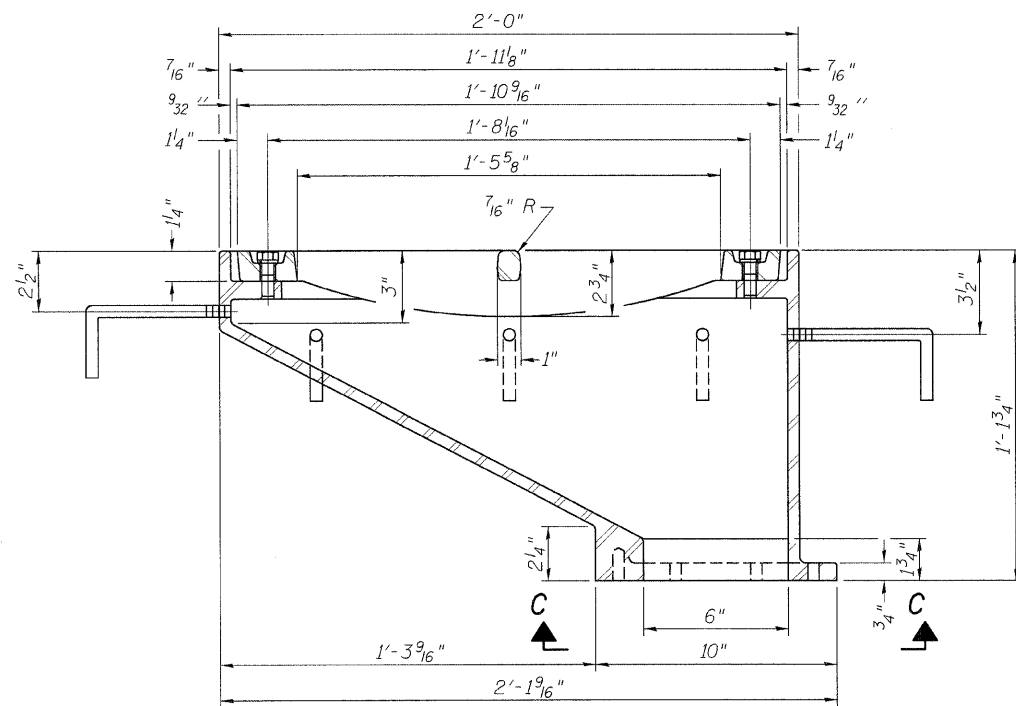
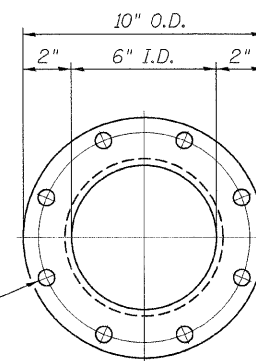


PLAN



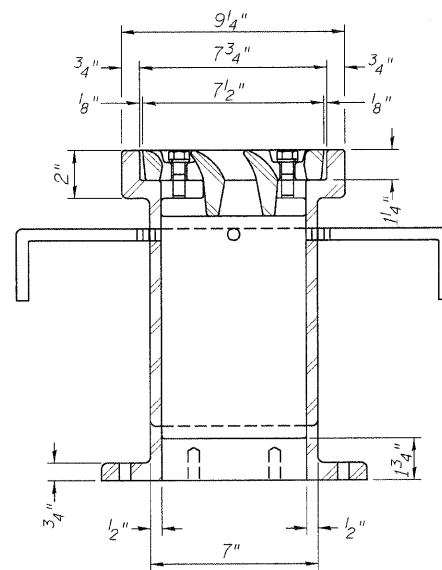
VANE GRATE DETAIL

8-9/16" φ holes on an 8 3/4" φ bolt circle



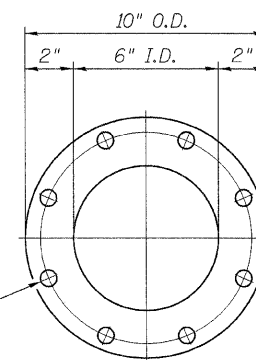
SECTION A-A

See sheet of for scupper location relative to parapet.

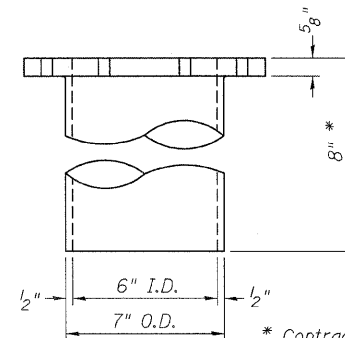


SECTION B-B

Drill and tap 8 holes for 1/2"-13 bolts on an 8 3/4" φ bolt circle. (2 blind holes are 1/4" deep, 6 thru holes)

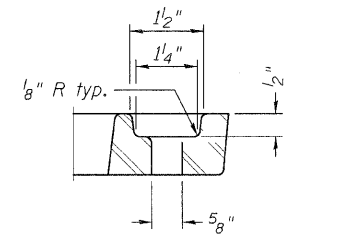


VIEW C-C

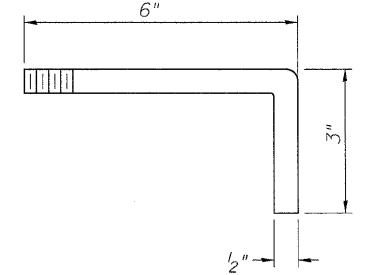


DOWNSPOUT

* Contractor to field verify dimension prior to ordering materials.



BOLT HOLE DETAIL



ANCHOR STUD DETAIL

BILL OF MATERIAL

ITEM	UNIT	QUANTITY
Drainage Scupper, DS-12	Each	7

SHT. S-010

REVISIONS	DATE
NAME	

ILLINOIS DEPARTMENT OF TRANSPORTATION
 F.A.I. ROUTE 57 (INTERSTATE 57)
 112TH PLACE BRIDGE DECK REPLACEMENT
 112TH PLACE OVER I-57
 SN 016-0988 STA. 546+15.56
 COOK COUNTY

DRAINAGE SCUPPER
 DS-12

DATE: 01/16/09

DRAWN BY: TMH
 CHECKED BY: JLR

TENG
 TENG & ASSOCIATES, INC.
 ENGINEERS/ARCHITECTS/PLANNERS
 205 N. MICHIGAN AVE., CHICAGO, IL 60601
 TELEPHONE: 312.650.0000