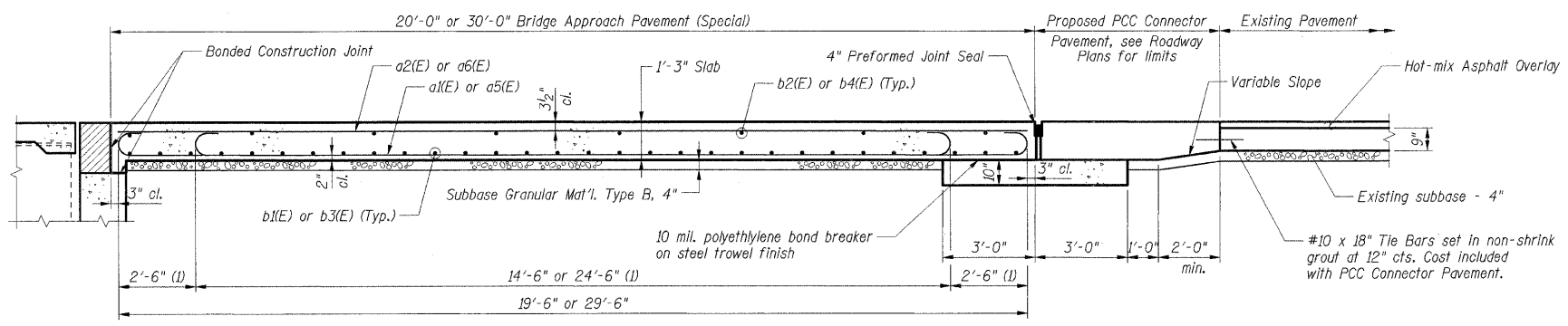
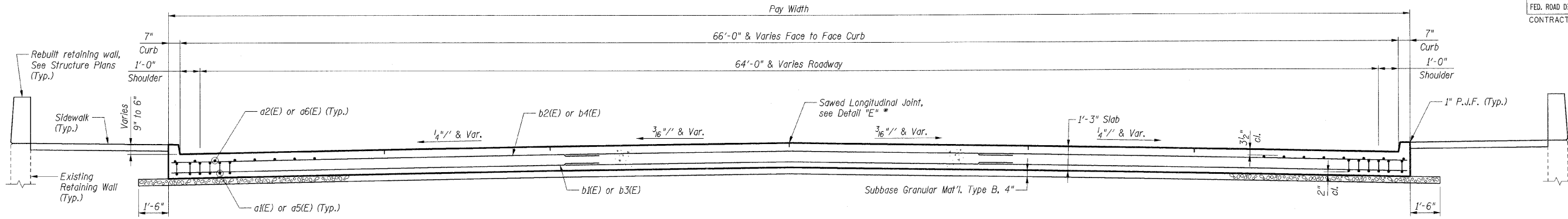
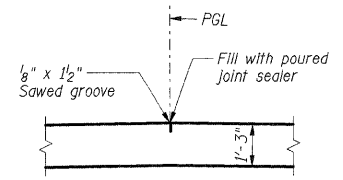
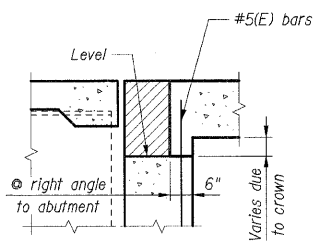
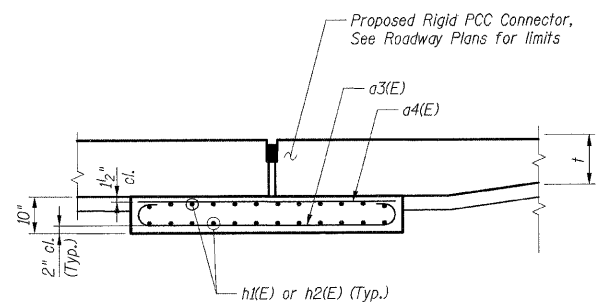
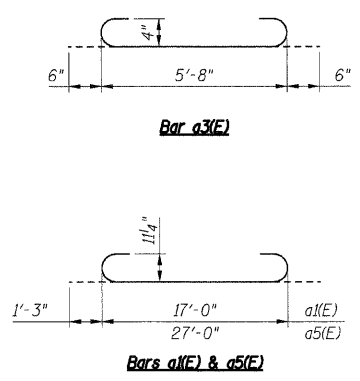


F.A.I. RTE.	SECTION	COUNTY	TOTAL SHEETS	SHEET NO.
57	1920.1B-R	COOK	101	066
STA.		TO STA.		
FED. ROAD DIST. NO. 1		ILLINOIS	FED. AID PROJECT	
CONTRACT NO. 62533				



**MATERIAL REQUIRED FOR BRIDGE APPROACH PAVEMENT (SPECIAL)**

Bar	No.	Size	Length	Shape	
a1(E)	134	#9	19'-6"	U	
a2(E)	67	#5	19'-6"	—	
a3(E)	152	#4	6'-8"	U	
a4(E)	152	#4	5'-8"	—	
a5(E)	134	#9	29'-6"	U	
a6(E)	67	#5	29'-6"	—	
a7(E)	8	#5	12'-0"	—	
b1(E)	60	#5	25'-7"	—	
b2(E)	18	#4	25'-4"	—	
b3(E)	90	#5	23'-5"	—	
b4(E)	24	#4	23'-2"	—	
h1(E)	72	#5	26'-9"	—	
h2(E)	72	#5	24'-6"	—	
<b>Item</b>				<b>Unit</b>	<b>Total</b>
Concrete Structures		Cu Yd	160.1	**	
Reinforcement Bars, Epoxy Coated		Lbs	35,420	**	
Polyethylene Bond Breaker		Sq Yd	99	**	
Concrete Pad		Sq Yd	99	**	



- Notes:**
1. Reinforcement bars designated (E) shall be epoxy coated.
  2. Work this sheet with Sht. 065.
  3. Thickness "t" = Thickness of Pavement.
  4. See Standard 42.1001 for reinforcement details not shown.
  5. See Standard 42.0001 for details of joints not shown.

REVISIONS	
NAME	DATE

ILLINOIS DEPARTMENT OF TRANSPORTATION  
112TH PLACE OVER  
F.A.I ROUTE 57 (INTERSTATE 57)  
**BRIDGE APPROACH PAVEMENT,  
SPECIAL AT SN 016-0988  
DETAILS**

SCALE: N.T.S. DRAWN BY: RDS  
DATE: 01/16/09 CHECKED BY: ACL

**TENG**  
TENG & ASSOCIATES, INC.  
ENGINEERS/ARCHITECTS/PLANNERS  
205 N. MICHIGAN AVE., CHICAGO, IL 60601  
TELEPHONE: 312/615-0000

..\TTR00MWA.DGN, ..\AFS00TTR.DGN  
 H-6-2009, 15:56:36  
 T:\DOCUMENT\19306801\STRUCT\DGN\AFS00TTR.DGN  
 1 2 3 4 5 6 7 8 9 10 11 12 13 14 15 16 17 18 19 20 21 22 23 24 25 26 27 28 29 30 31 32 33 34 35 36 37 38 39 40 41 42 43 44 45 46 47 48 49 50 51 52 53 54 55 56 57 58 59 60 61 62 63  
 HECHTER