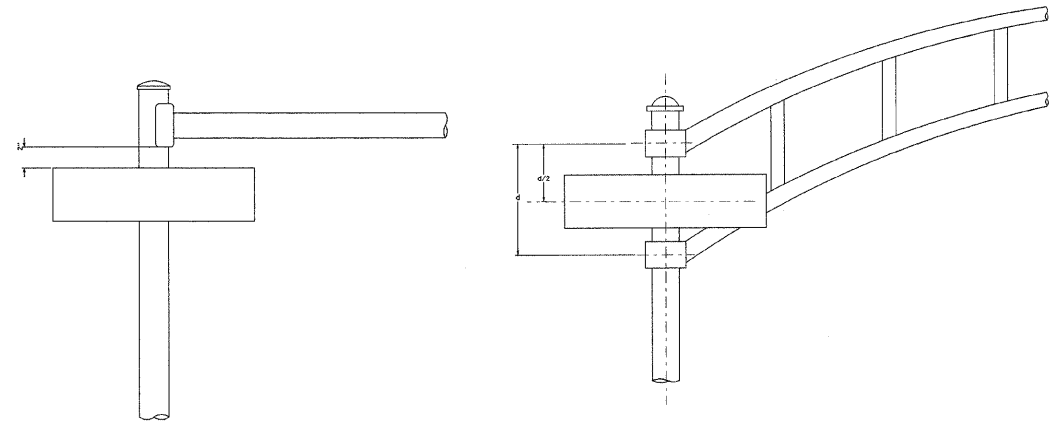
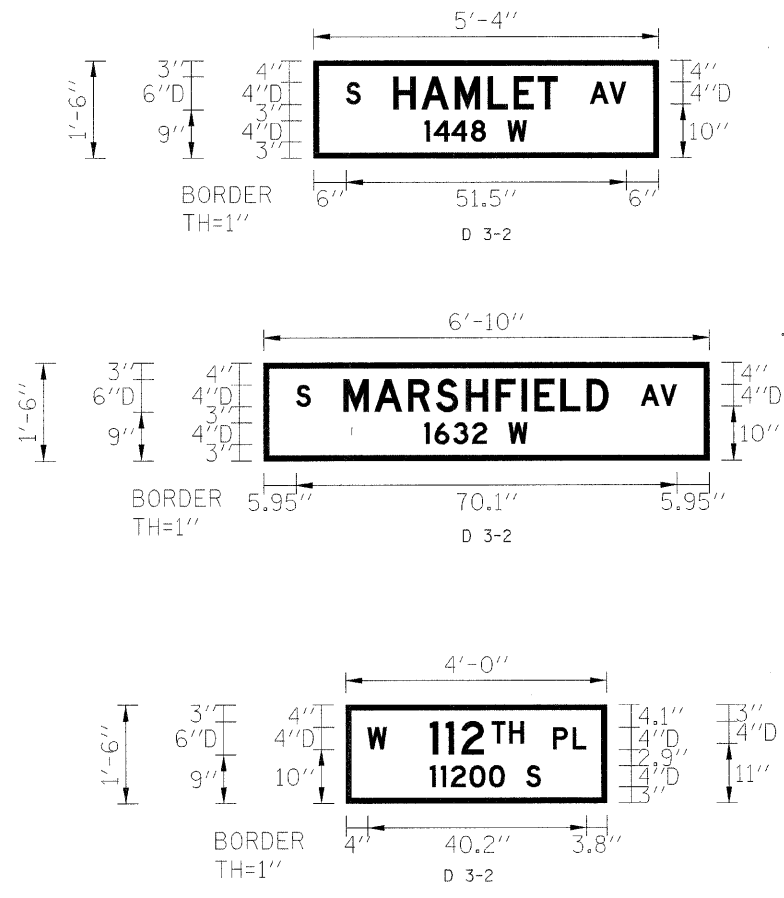


F.A.I. RTE.	SECTION	COUNTY	TOTAL SHEETS	SHEET NO.
57	1920.1B-R	COOK	101	059
STA.		TO STA.		
FED. ROAD DIST. NO. 1		ILLINOIS	FED. AID PROJECT	
CONTRACT NO. 62533				

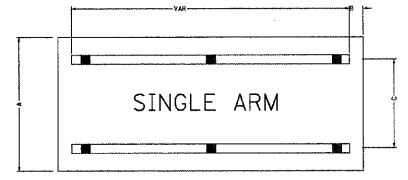
MOUNTING LOCATIONS



SINGLE ARM
D 3-2
OR
D 3-2(A)

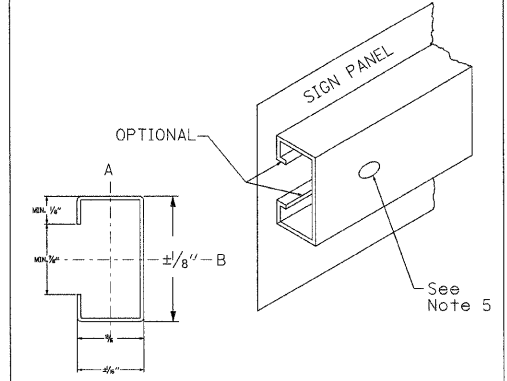
DUAL ARM
D 3-2
OR
D 3-2(A)

DETAIL "A"
SUPPORTING CHANNELS



A	B	C
18"	2"	12"
24"	2"	16"

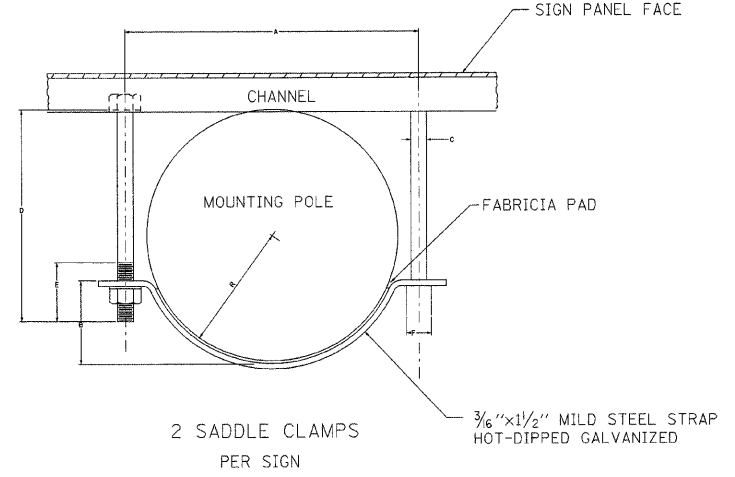
STEEL (MILD STRIP, ASTM A.525)
Section modulus, axle A - .050 in³ minimum
Section modulus, axle B - .105 in³ minimum
Galvanized before forming in accordance with ASTM A.525, Coating Designation G 90 or after forming in accordance with AASHTO M-232, class B-2
or
ALUMINUM (6061 T6 or 6063 T5 or T6)
Section modulus, axle A - .150 in³ minimum
Section modulus, axle B - .318 in³ minimum



SYMMETRICAL ABOUT B AXIS

- All mounting hardware, exclusive of supporting channels shall be zinc or cadmium plated steel or stainless steel.
- All bolts and nuts shall have National Coarse Thread (UNC).
- All signs mounted to supporting channels shall be attached with at least 5/16" diameter hex bolts.
- Horizontal supporting channels used to brace individual signs shall be located using the mounting holes prepunched in the sign blank.
- Mounting holes in the supporting channel shall be 5/16" diameter. Channel material with prepunched holes at 2" centers may be used.
- Sign panel to channel bolt centers should not exceed 2'-0".

DETAIL "B"



2 SADDLE CLAMPS PER SIGN

SIGN TYPE	SIGN SIZE	D3-2 TYPE SIGN DIMENSIONS								LETTER SIZE LINES			BORDER
		A	B	C	D	E	F	G	H	1	2	3	
D3-2	VAR x 18	VAR	18"	1.0"	6.0"	3.0"	2.0"	4D	4" T06"	6D	4D	-	1.0"
D3-2(a)	VAR x 24	VAR	24"	1.0"	6.0"	2.5"	1.5"	4D	4" T06"	6D	4D	4D	1.0"

MOUNTING POLE	D3-2 TYPE MOUNT DIMENSIONS						
	R	A	B	C	D	E	F
10"	4"	9"	2 5/8"	7/16"	7"	2 1/2"	1 1/2"
11"	4 1/2"	10"	3"	7/16"	7"	2 1/2"	1 1/2"
12 1/2"	5 1/4"	11 1/2"	3 1/2"	1/2"	8"	2"	3/16"

SPECIAL DESIGN SPECIFICATIONS

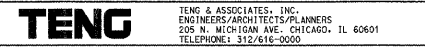
- The State of Illinois Department of Transportation standard specifications for traffic control items shall apply except where noted herein.
- The D3-2 and D3-2a sign length shall not be less than 4'-0" or greater than 6'-0". Sign length shall be determined by message copy, dictated by 6" capital letter series D, appropriate space chart layout, and the table of dimensions, where a required message layout would exceed maximum length of panel allowed the contractor shall layout to a reduced series stroke width. Letter series height shall remain as 6" capitals.
- Reflective sheeting shall conform to T602.01 TYPE A with green background and white letter and border.
- The sign panel shall conform to 601.01 TYPE 1. Supporting channels and panel to channel attachment hardware shall be in conformance to detail "A" of this plan sheet.
- Sign installation hardware shall be in conformance to detail "B" of this plan sheet.

ILLINOIS DEPARTMENT OF TRANSPORTATION
112TH PLACE OVER
F.A.I ROUTE 57 (INTERSTATE 57)

ELECTRICAL STANDARD DETAILS

REVISIONS	
NAME	DATE

SCALE: NONE
DATE: 01/16/09
DRAWN BY: N/A
CHECKED BY: N/A



\\N12TH ST BORDER.DGN, ..\EXH0007.DGN, ..\P\WOODTOD.DGN
 11-6-2009, 10:14:43
 T:\DOCUMENT\193086\DWG\CIVIL\DRN\EXH0007.DGN
 12 13 14 15 16 17 18 19 20 21 22 23 24 25 26 27 28 29 30 31 32 33 34 35 36 37 38 39 40 41 42 43 44 45 46 47 48 49 50 51 52 53 54 55 56 57 58 59 60 61 62 63
 HECHTBR