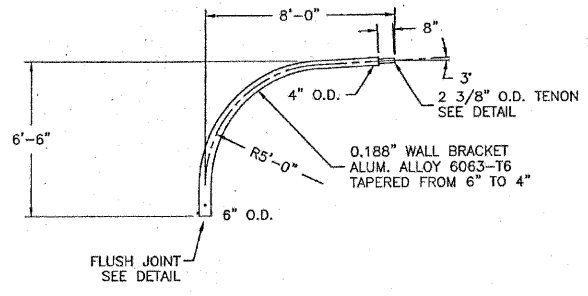
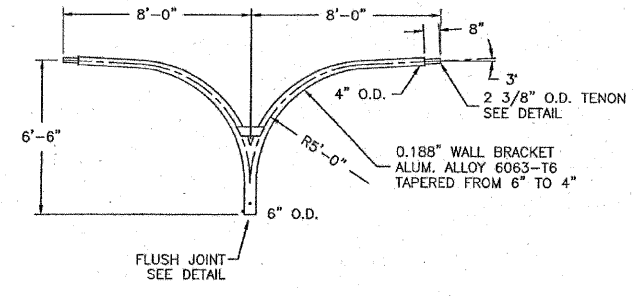


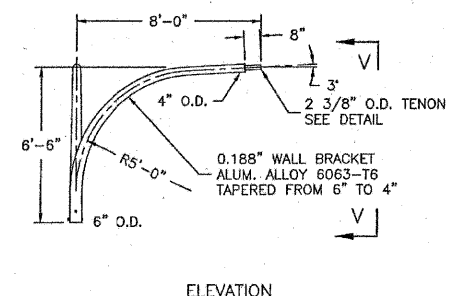
F.A.I. RTE.	SECTION	COUNTY	TOTAL SHEETS	SHEET NO.
57	1920.1B-R	COOK	101	056
STA.		TO STA.		
FED. ROAD DIST. NO. 1		ILLINOIS	FED. AID PROJECT	
CONTRACT NO. 62533				



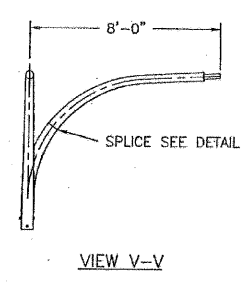
SINGLE DAVIT ARM



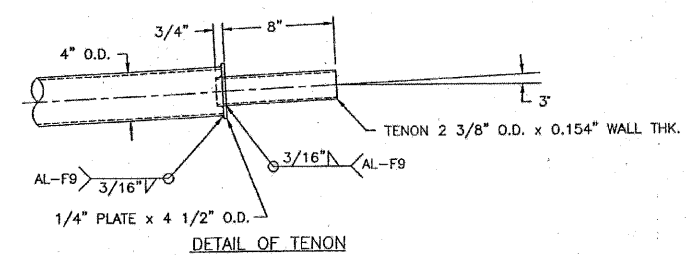
TWIN DAVIT ARM AT 180°



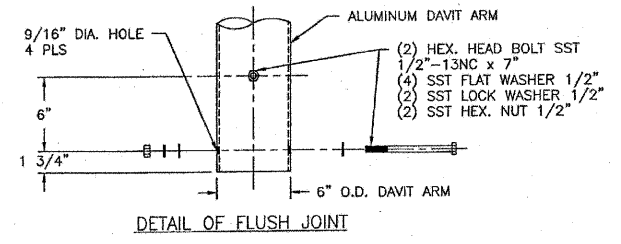
TWIN DAVIT ARM AT 90°



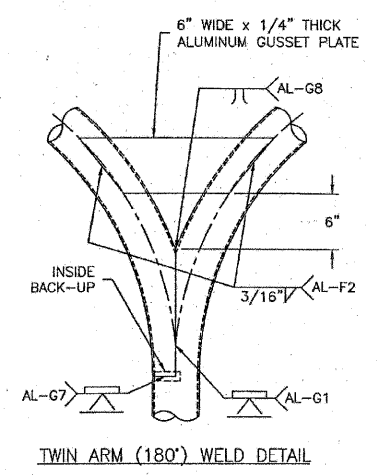
VIEW V-V



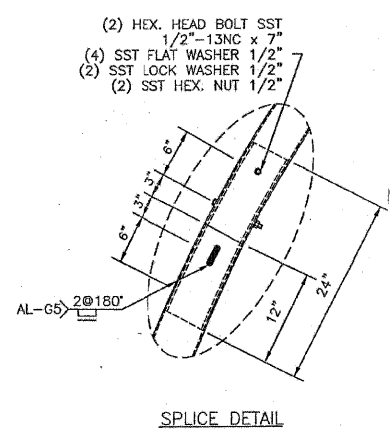
DETAIL OF TENON



DETAIL OF FLUSH JOINT



TWIN ARM (180°) WELD DETAIL



SPLICE DETAIL

ALUMINUM DAVIT ARM 6" x 8'-0"		
CITY OF CHICAGO DEPT. OF STREETS AND SANITATION DIVISION OF ELECTRICITY BUREAU OF ELECTRICAL ENGINEERING		
DRAFTSMAN	CHIEF DRAFTSMAN	ENGINEER
SUPERVISING ENGINEER	ELEC. DESIGN ENGR.	DWG. NO.
ENGINEER OF ELECTRICITY		948
DEPT. OF CONSTRUCTION		
DEPUTY COMMISSIONER		
DATE: 1-23-02	SCALE:	

NORTH ST. BORDER ROOM
 11/23/09 15:44:07
 T:\DOCUMENTS\950860\CIVIL\DWG\4-CORR\HW.DWG
 1 2 3 4 5 6 7 8 9 10 11 12 13 14 15 16 17 18 19 20 21 22 23 24 25 26 27 28 29 30 31 32 33 34 35 36 37 38 39 40 41 42 43 44 45 46 47 48 49 50 51 52 53 54 55 56 57 58 59 60 61 62 63
 HECATER

REVISIONS	
NAME	DATE

ILLINOIS DEPARTMENT OF TRANSPORTATION
112TH PLACE OVER
F.A.I. ROUTE 57 (INTERSTATE 57)

ELECTRICAL STANDARD DETAILS

SCALE: NONE
DATE: 01/16/09
DRAWN BY: N/A
CHECKED BY: N/A

TENG

TENG & ASSOCIATES, INC.
ENGINEERS/ARCHITECTS-PLANNERS
205 N. MICHIGAN AVE., CHICAGO, IL 60601
TELEPHONE: 312/678-0000