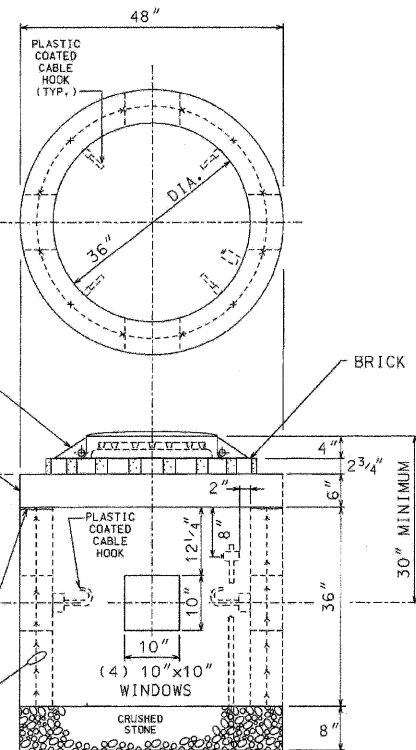


TOP VIEW
FRAME, COVER & TOP
OF HANDHOLE REMOVED



FRAME & COVER
DRG. #872

SEE DETAIL
ROOF OF
HANDHOLE

BRICK

INSTALL BED OF MORTAR
BETWEEN ROOF & HANDHOLE

REINF. WIRE
MESH-6"X6"

SIDE
ELEVATION

COMPLETE COMMODITY CODE NO. 05-6610-5310M

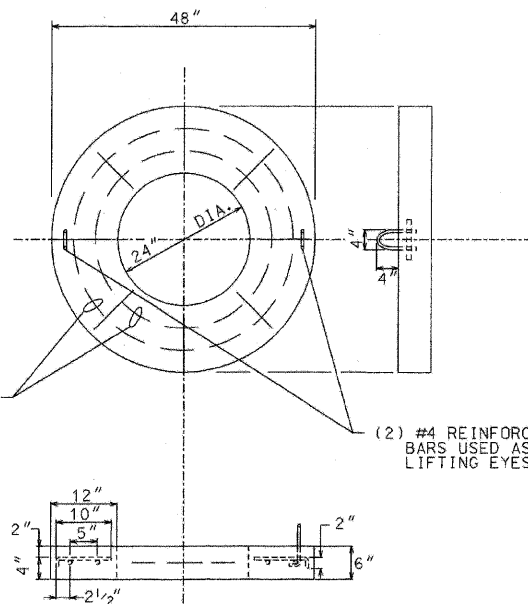
CODE NO.	MATERIALS	SIZE	QUAN.
(1) 05-6610-5312	PRE-CAST HANDHOLE	36" X 36"	
(2) 05-6610-5312	PRE-CAST ROOF	SEE DETAIL	1
05-9075-5470	STONE 3/4" CRUSHED SCREENINGS	BAG	5
05-1452-9720	BRICK		24
02-4299-5524	FRAME, MANHOLE	24"	1
02-4574-5624	COVER, MANHOLE	24"	1
09-7796-9312	GROUND ROD	3/4" X 12'	1
09-2636-3240	GROUND CLAMP		1
(3) 05-5082-5330	SONO TUBE	36"	1
(3) 05-5082-5342	SONO TUBE	48"	1
(3) 05-3267-2940	CONC. REDI-MIX	CU. YD.	3/4
(3) 20-5472-9630	REINFORCING BAR	#3 (3/8")	20'
(3) 20-5472-9630	REINFORCING BAR	#3 (3/8")	8'
(3) 20-5472-9640	REINFORCING BAR	#4 (1/2")	4'
(3) 57-0770-0000	(MESH (6" X 6"))	36" X 11'	1

- (1) PRE-CAST HANDHOLE SHALL INCLUDE CABLE HOOKS AND CONDUIT KNOCK-OUTS.
 (2) PRE-CAST ROOF SHALL INCLUDE LIFTING EYES.
 (3) THESE ITEMS ARE FOR POURED-IN-PLACE HANDHOLES ONLY.

CONSTRUCTION NOTES:

- 1 - 8" BED OF STONE FOR DRAINAGE.
 2 - ALL METALLIC CONDUIT(S) ENTERING HANDHOLE SHALL EXTEND MIN. 1" & MAX. OF 3" INSIDE INNER WALL & BE EQUIPPED WITH AN APPROVED TYPE THREADED GROUNDING BUSHING.

(2) #3 REINFORCING
BARS WITH (8) #3
CROSS TIES



(2) #4 REINFORCING
BARS USED AS
LIFTING EYES

DETAIL-ROOF OF HANDHOLE

DATE	REVISION
B 01-23-00	ADDED CABLE HOOKS PER COMMISSIONER MURPHY (RC/RE)
A	REDRAW (CAD.) MP.

36" DIA. HEAVY DUTY
CONCRETE HANDHOLE
WITH 24" FRAME &
COVER

CITY OF CHICAGO
DEPT. OF STREETS AND SANITATION
BUREAU OF ELECTRICAL ENGINEERING

DRAFTSMAN M. PATTON	CHIEF DRAFTSMAN B. CARTER	ENGINEER W. THOMPKA
SUPERVISING ENGINEER N. DEBARTOLO	ELECT. DESIGN ENGINEER	

ENGINEER OF ELECTRICAL ENGINEERING

DEPT. SUPERV. OF ELECTRICAL ENGINEERING

DEPUTY COMMISSIONER

SIZE: 17" x 22" SCALE: NONE DATE: 1-12-96

866

ES-11

REVISIONS	
NAME	DATE

ILLINOIS DEPARTMENT OF TRANSPORTATION
112TH PLACE OVER
F.A.I. ROUTE 57 (INTERSTATE 57)

ELECTRICAL STANDARD DETAILS

SCALE: NONE DRAWN BY: N/A
 DATE: 01/16/09 CHECKED BY: N/A

TENG
TENG & ASSOCIATES, INC.
ENGINEERS/ARCHITECTS/PLANNERS
205 N. MICHIGAN AVE., CHICAGO, IL 60601
TELEPHONE: 312/678-0000

112TH ST BORDER.DWG
 1-16-2009, 13:42:27
 T:\DOCUMENT\930860\CIVIL\DRN\ENR\DRN.DWG
 1 2 3 4 5 6 7 8 9 10 11 12 13 14 15 16 17 18 19 20 21 22 23 24 25 26 27 28 29 30 31 32 33 34 35 36 37 38 39 40 41 42 43 44 45 46 47 48 49 50 51 52 53 54 55 56 57 58 59 60 61 62 63