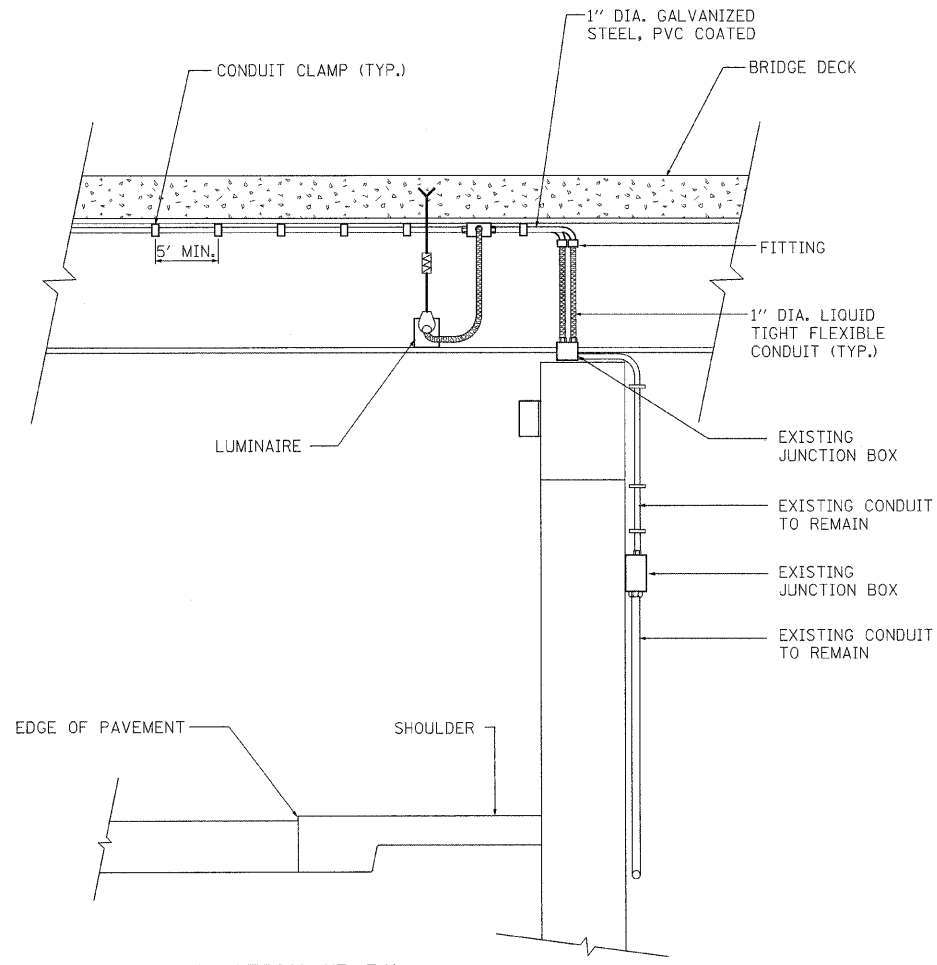
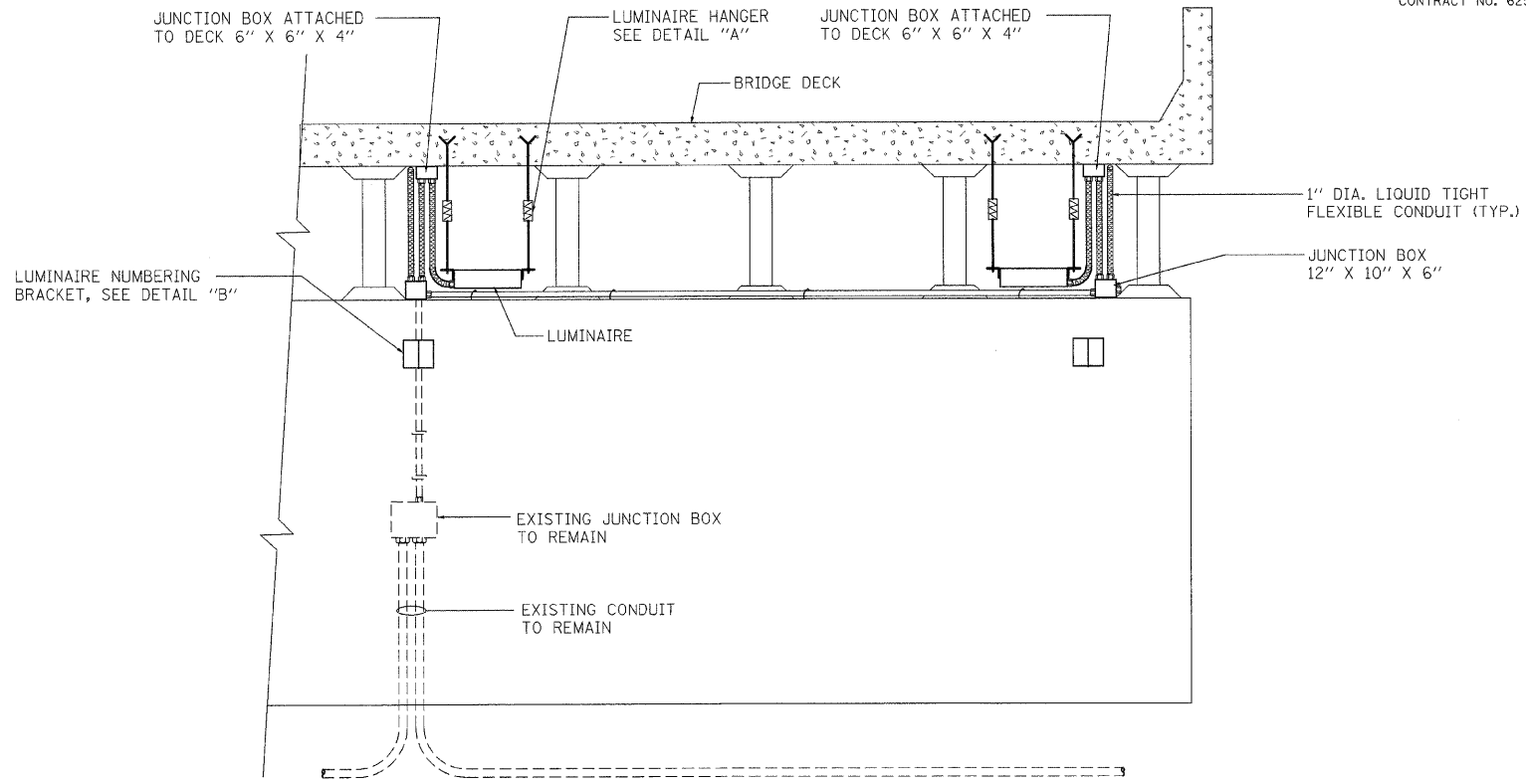


F.A.I. RTE.	SECTION	COUNTY	TOTAL SHEETS	SHEET NO.
57	1920.1B-R	COOK	101	032
STA.		TO STA.		
FED. ROAD DIST. NO. 1		ILLINOIS FED. AID PROJECT		
CONTRACT NO. 62533				

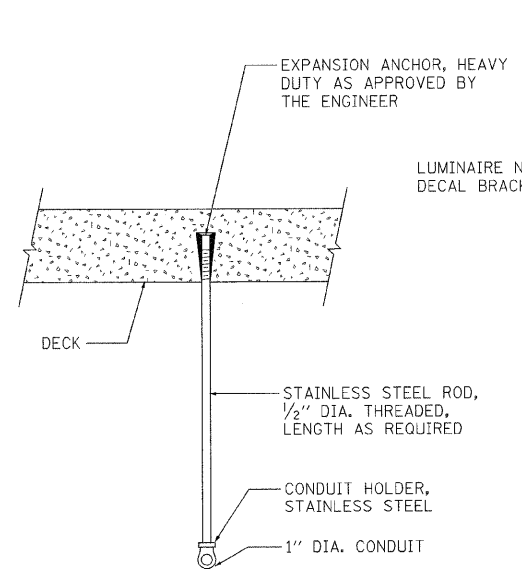


**ELEVATION "B-B"**  
NOT TO SCALE

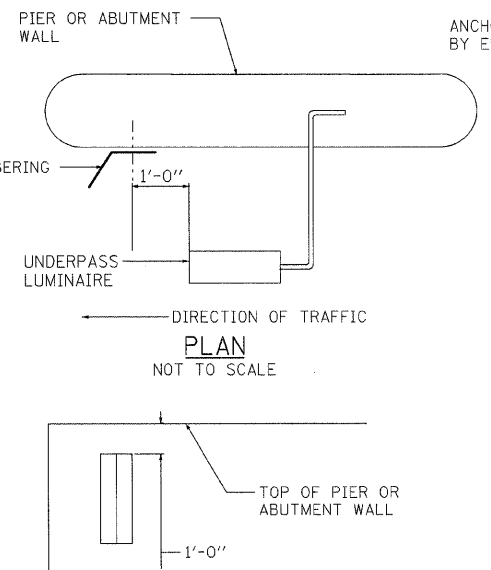


**ELEVATION "A-A"**

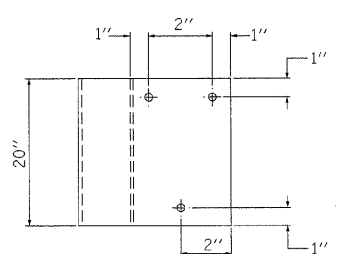
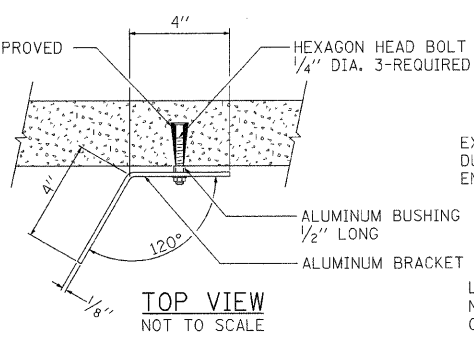
NOT TO SCALE



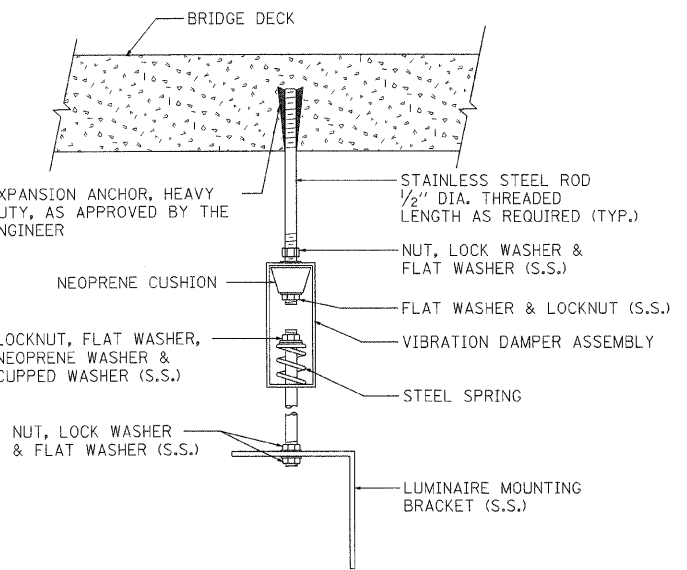
**CONDUIT HANGER, DETAIL "C"**  
NOT TO SCALE



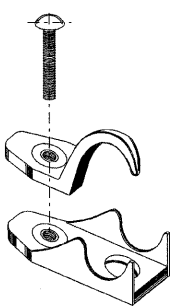
**ELEVATION LUMINAIRE NUMBERING DECAL BRACKET, DETAIL "B"**  
NOT TO SCALE



**ELEVATION**  
NOT TO SCALE



**LUMINAIRE HANGER ASSEMBLY, DETAIL "A"**  
NOT TO SCALE



**DETAIL "D"**  
(CONDUIT CLAMP WITH CLAMP BACK)

REVISIONS	
NAME	DATE

ILLINOIS DEPARTMENT OF TRANSPORTATION  
112TH PLACE OVER  
F.A.I. ROUTE 57 (INTERSTATE 57)  
IDOT UNDERPASS LIGHTING DETAILS

SCALE: NONE  
DATE: 01/16/09

DRAWN BY: ACL  
CHECKED BY: PR

**TENG**  
TENGE & ASSOCIATES, INC.  
ENGINEERS/ARCHITECTS/PLANNERS  
209 N. MICHIGAN AVE., CHICAGO, IL 60601  
TELEPHONE: 312/616-2000

NORTH ST. BORDER/DJDN  
 I-16-20092.1317251  
 T:\DOCUMENT\931086\N\C\W\ADON\EXH008\FD.DGN  
 1 2 3 4 5 6 7 8 9 10 11 12 13 14 15 16 17 18 19 20 21 22 23 24 25 26 27 28 29 30 31 32 33 34 35 36 37 38 39 40 41 42 43 44 45 46 47 48 49 50 51 52 53 54 55 56 57 58 59 60 61 62 63  
 HECHTER