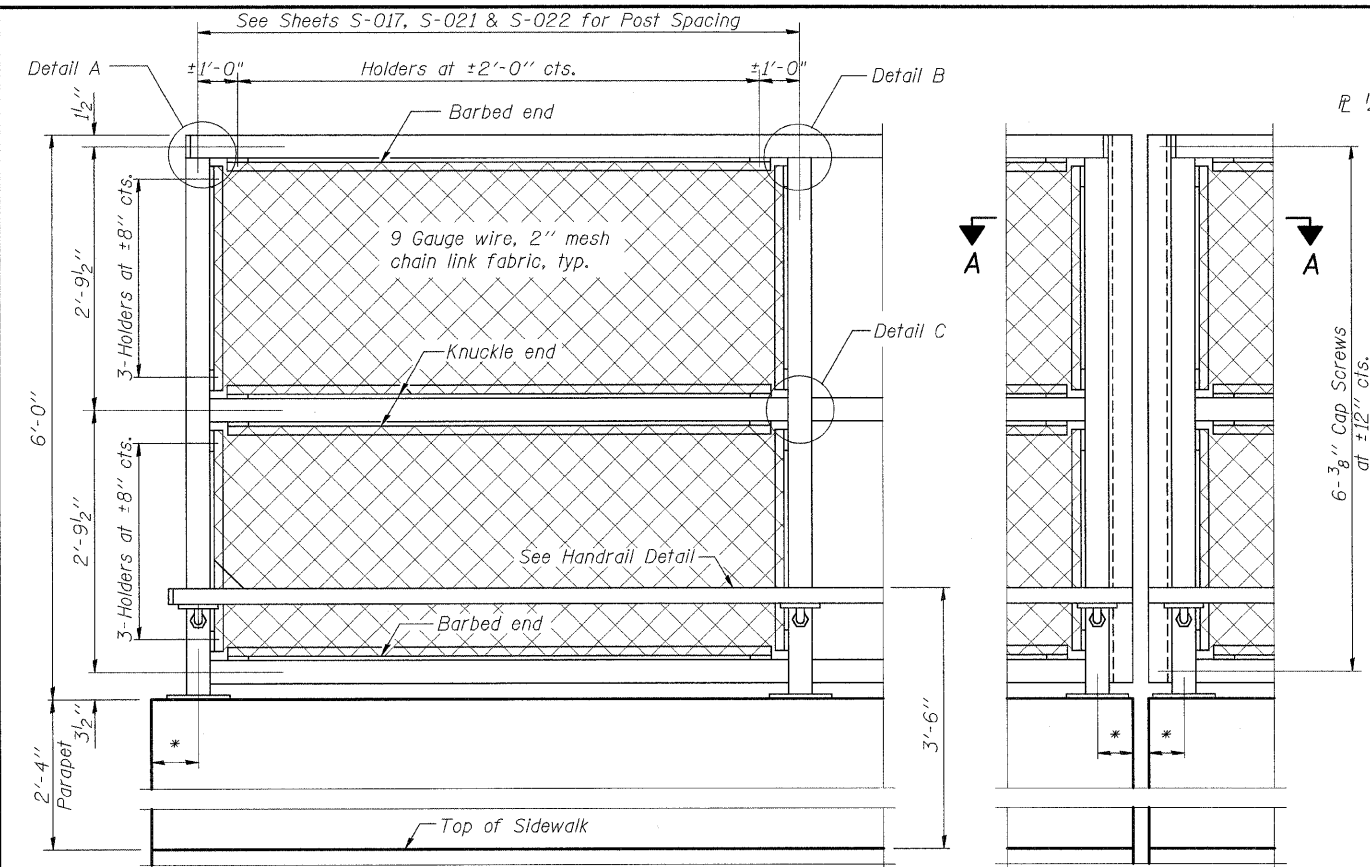


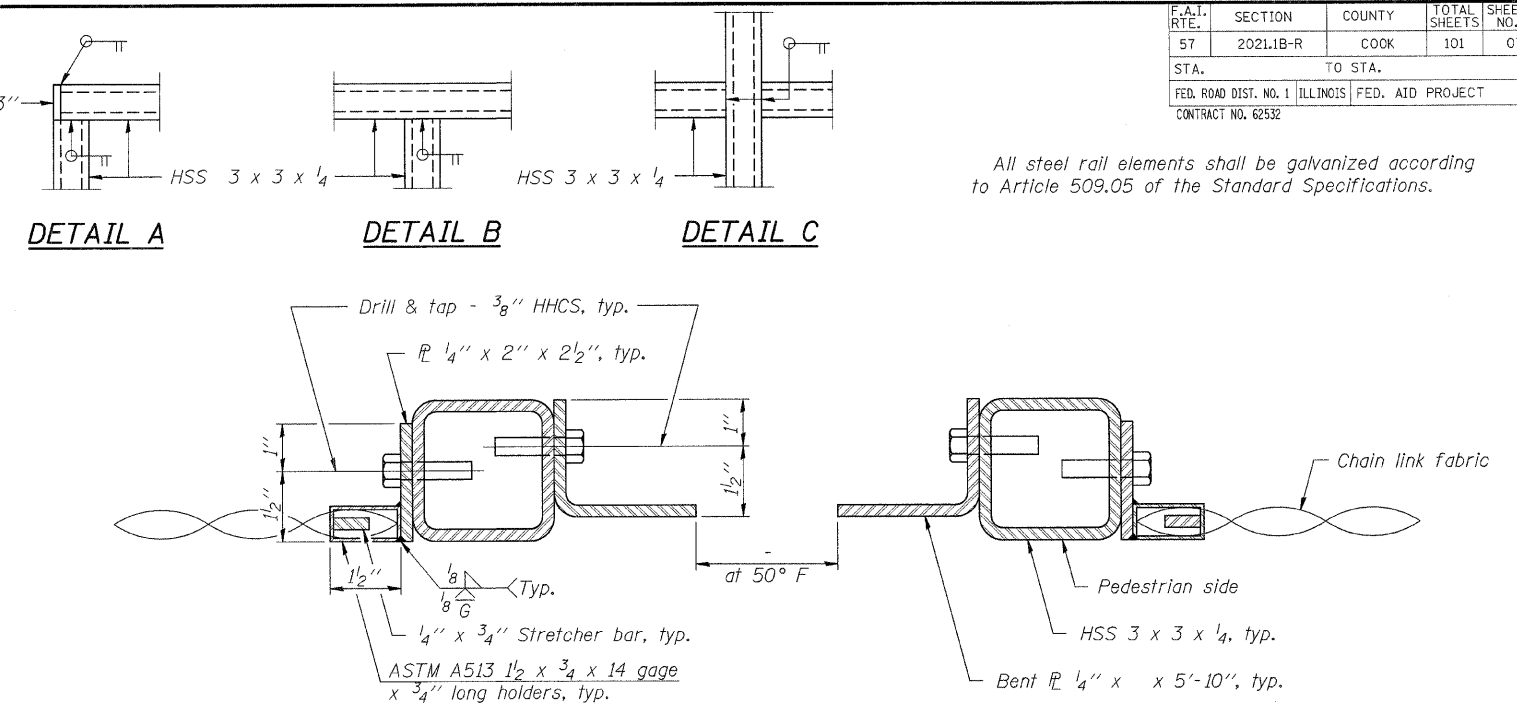
F.A.I. RTE.	SECTION	COUNTY	TOTAL SHEETS	SHEET NO.
57	2021.1B-R	COOK	101	076
STA.	TO STA.			
FED. ROAD DIST. NO. 1	ILLINOIS	FED. AID PROJECT		
CONTRACT NO. 62532				

All steel rail elements shall be galvanized according to Article 509.05 of the Standard Specifications.



ELEVATION
(Inside Face)

ELEVATION
(At Expansion Joint)

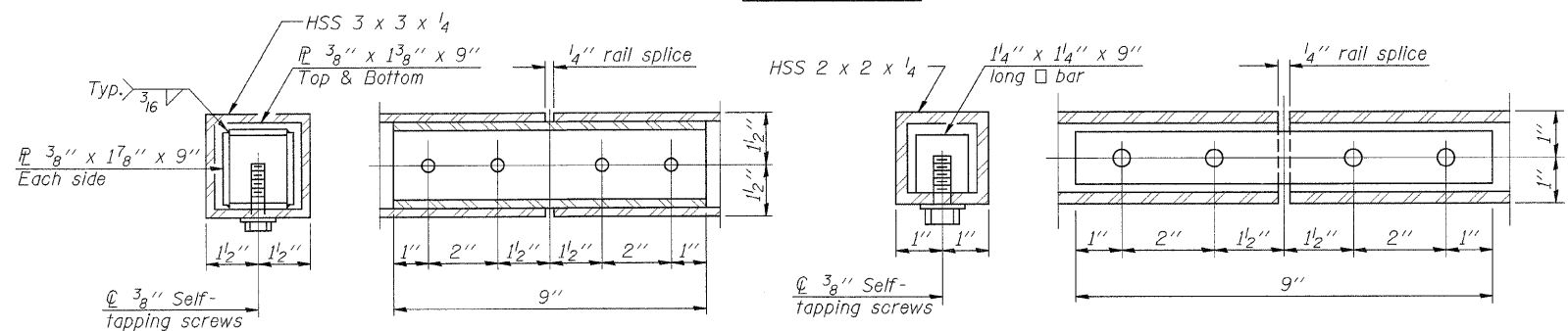


DETAIL A

DETAIL B

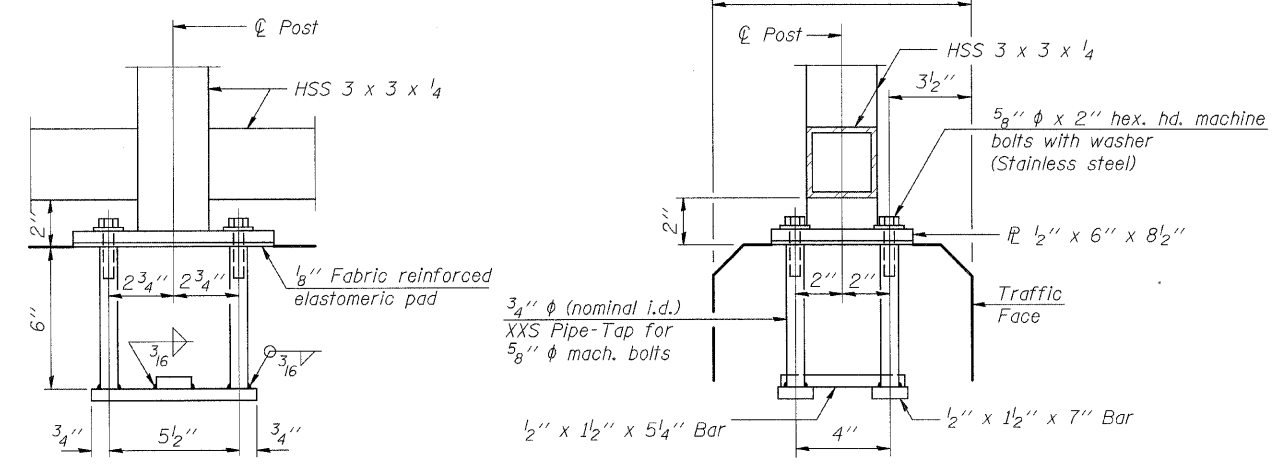
DETAIL C

SECTION A-A



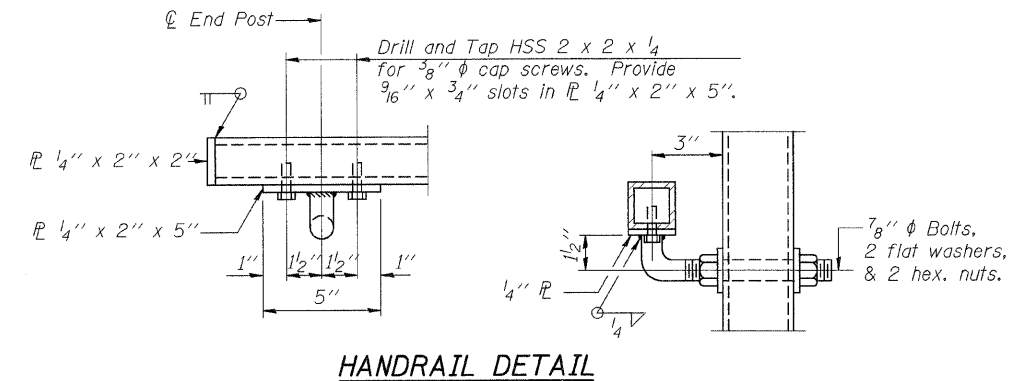
RAIL SPLICE

HANDRAIL SPLICE

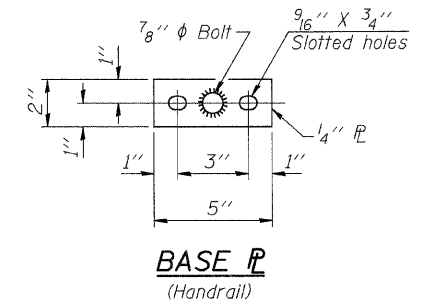


ANCHOR BOLT DETAILS

In lieu of the cast-in-place anchor device shown, the Contractor has the option of drilling and setting 5/8" anchor rods according to Article 509.06 of the Standard Specifications. Embedment shall be according to the manufacturer's specifications.



HANDRAIL DETAIL



BASE PLATE
(Handrail)

BILL OF MATERIAL

Item	Unit	Quantity
Bridge Fence Railing	Foot	82

REVISIONS	
NAME	DATE

ILLINOIS DEPARTMENT OF TRANSPORTATION
F.A.I. ROUTE 57 (INTERSTATE 57)
111TH STREET BRIDGE DECK REPLACEMENT
111th STREET OVER I-57
SN 016-0989 STA. 556+99.89
COOK COUNTY
BRIDGE FENCE RAILING
PARAPET MOUNTED 2
DRAWN BY: TMH
CHECKED BY: JLR
DATE: 01/16/09

TENG

TENG & ASSOCIATES, INC.
ENGINEERS ARCHITECTS PLANNERS
205 N. MICHIGAN AVE., CHICAGO, IL 60601
TELEPHONE: 312.616.0000

\HRODINI.G.DWG, \BERPDRER.DWG, \ABD00818U17.DWG, RITCHIE, color Table, K:\STANDARD\TENC\DATA\COLORTABLE.TBL
 \HE-2009_05298, T:\DOCUMENT\9810860\STRUCT\CON\HRODINI.DWG, color Table, K:\STANDARD\TENC\DATA\COLORTABLE.TBL
 pen Table: N/A