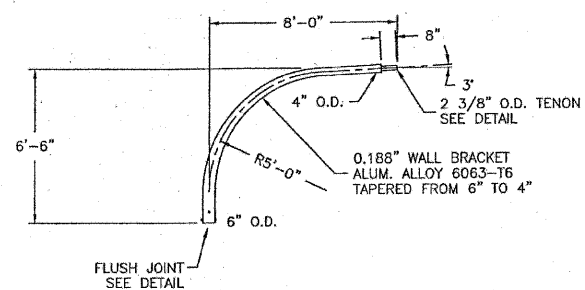
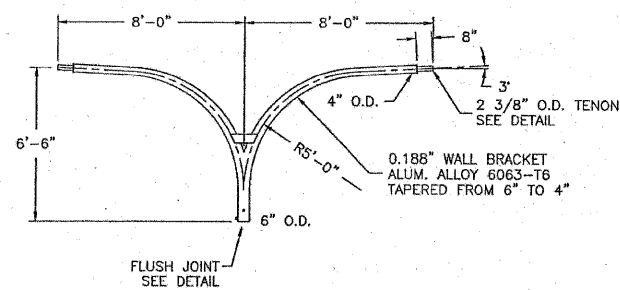


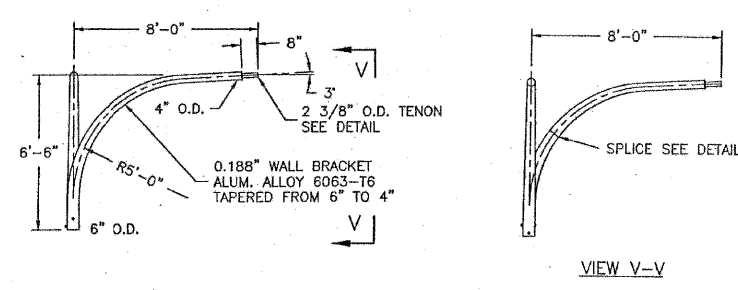
F.A.I. RTE.	SECTION	COUNTY	TOTAL SHEETS	SHEET NO.
57	2021.3-R	COOK	101	054
STA.		TO STA.		
FED. ROAD DIST. NO. 1		ILLINOIS	FED. AID PROJECT	
CONTRACT NO. 62532				



SINGLE DAVIT ARM



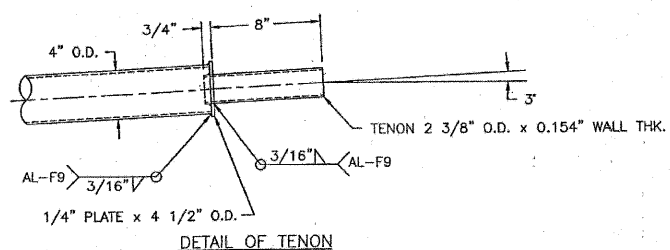
TWIN DAVIT ARM AT 180°



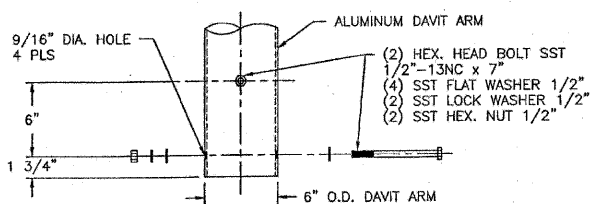
ELEVATION

VIEW V-V

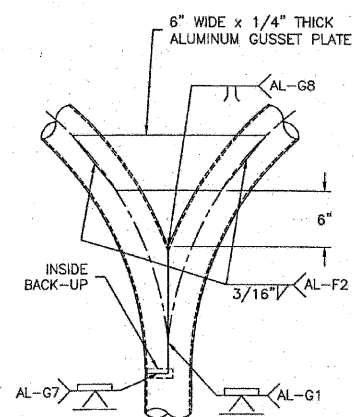
TWIN DAVIT ARM AT 90°



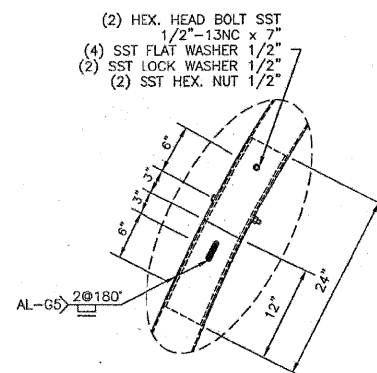
DETAIL OF TENON



DETAIL OF FLUSH JOINT



TWIN ARM (180°) WELD DETAIL



SPLICE DETAIL

- (2) HEX. HEAD BOLT SST 1/2"-13NC x 7"
- (4) SST FLAT WASHER 1/2"
- (2) SST LOCK WASHER 1/2"
- (2) SST HEX. NUT 1/2"

ALUMINUM DAVIT ARM 6" x 8'-0"		
CITY OF CHICAGO DEPT. OF STREETS AND SANITATION BUREAU OF ELECTRICITY DIVISION OF ELECTRICAL ENGINEERING		
DESIGNING	CHECKED	ENGINEER
SUPERVISING ENGINEER	ELEC. DESIGN ENGR.	
ENGINEER OF ELECTRICITY		DWG. NO. 948
CHIEF, SUPT. OF CONSTRUCTION		
DEPUTY COMMISSIONER		
DATE: 1-29-02	SCALE:	

REVISIONS	
NAME	DATE

ILLINOIS DEPARTMENT OF TRANSPORTATION
111TH STREET OVER
F.A.I. ROUTE 57 (INTERSTATE 57)

ELECTRICAL STANDARD DETAILS

SCALE: NONE
DATE: 01/16/09
DRAWN BY: N/A
CHECKED BY: N/A

TENG
TENG & ASSOCIATES, INC.
ENGINEERS/ARCHITECTS/PLANNERS
205 N. MICHIGAN AVE., CHICAGO, IL 60601
TELEPHONE: 312/616-0000

WITH ST. SUPERBLOON
 HECHTBR
 T:\DOCUMENT\1920860\CHICAGO\EXHIBIT\001\001.DWG
 11/12/03 14:15:16.17.18.19.20.21.22.23.24.25.26.27.28.29.30.31.32.33.34.35.36.37.38.39.40.41.42.43.44.45.46.47.48.49.50.51.52.53.54.55.56.57.58.59.60.61.62.63