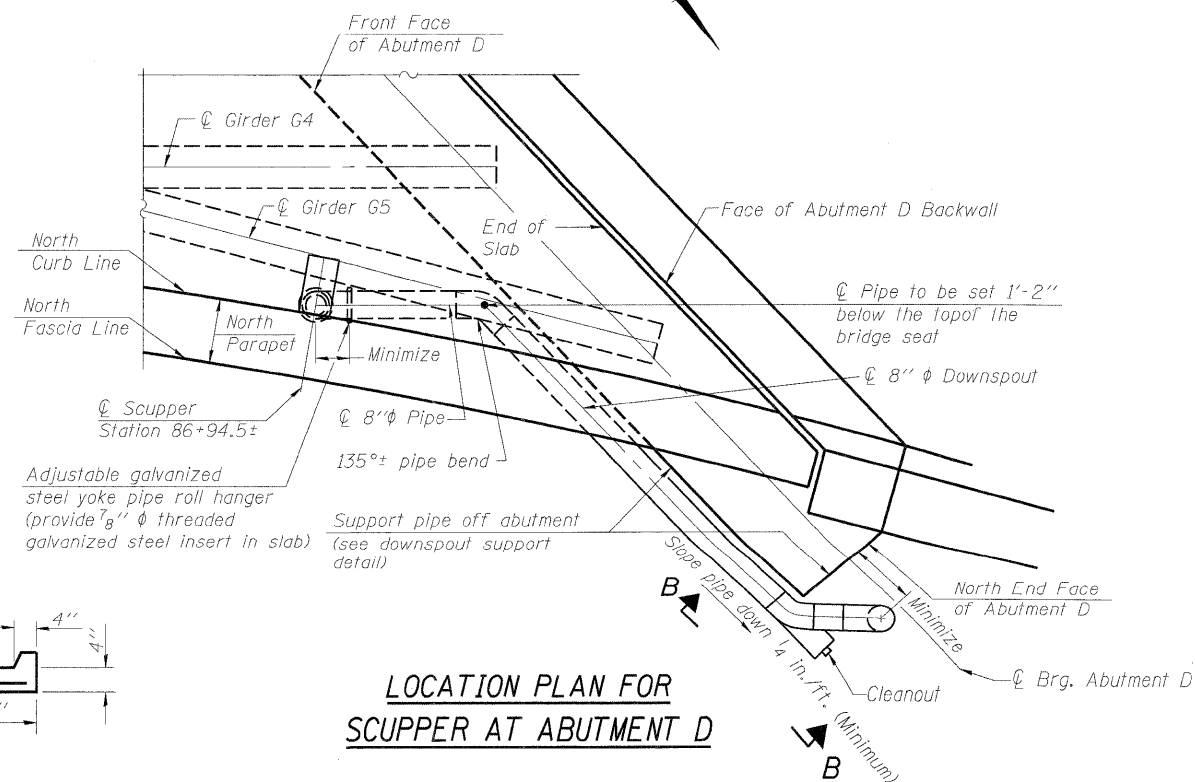
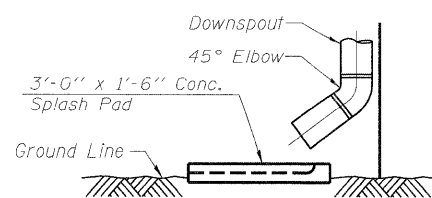


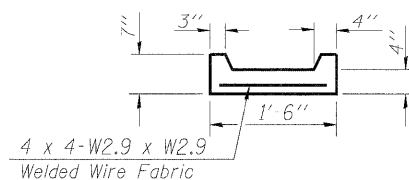
**LOCATION PLAN FOR SCUPPER AT ABUTMENT C**



**LOCATION PLAN FOR SCUPPER AT ABUTMENT D**

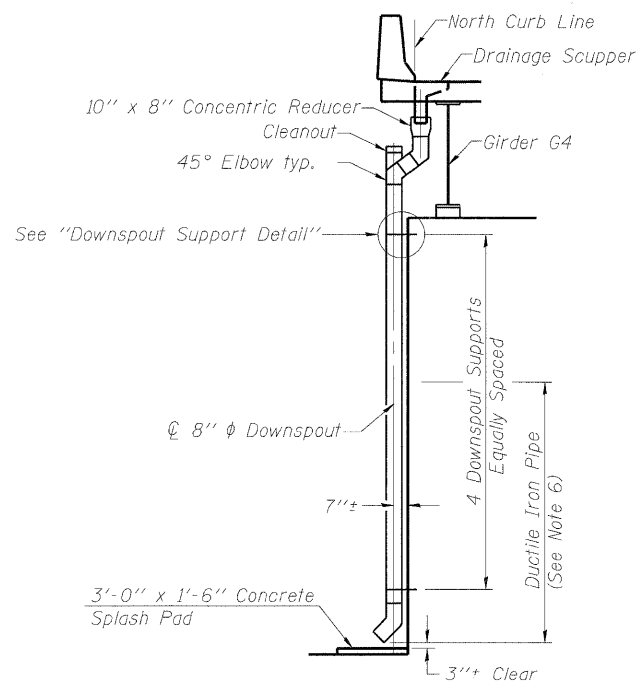


**SIDE VIEW**



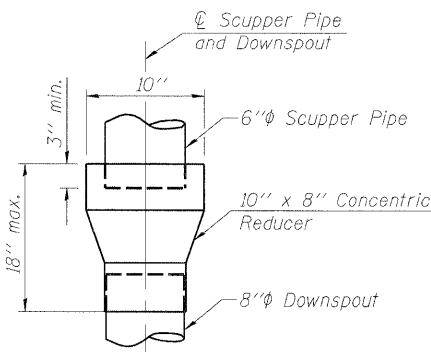
**SECTION**

**SPLASH PAD DETAIL**

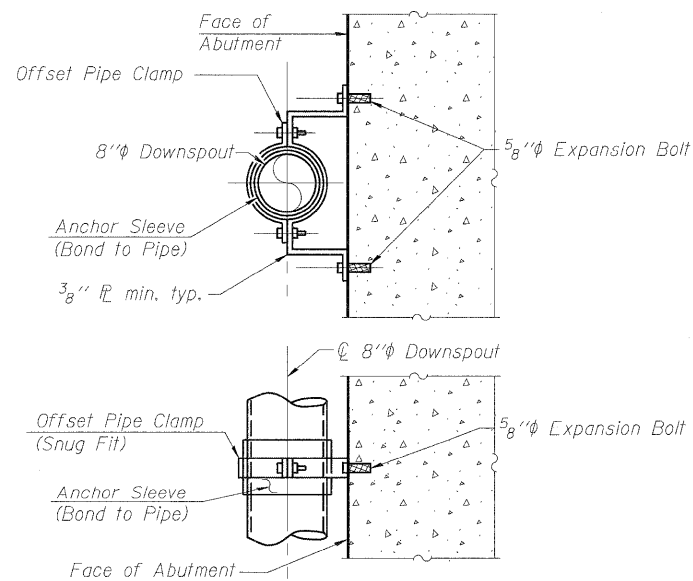


**SECTION A-A**

**SECTION B-B SIMILAR (OPP. HAND)**



**COLLECTOR FITTING DETAIL**



**DOWNSPOUT SUPPORT DETAIL**

**NOTES:**

1. All pipes and fittings shall be reinforced fiberglass according to ASTM D 2996 RTRP with a 30,000 psi minimum short-time rupture strength hoop tensile stress.
2. All pipe supports and associated hardware shall be hot-dip galvanized according to AASHTO M 232.
3. Expansion bolts shall conform to the requirements of ASTM A 307 and shall be galvanized according to AASHTO M 232.
4. The contractor shall take appropriate precautions to assure that Protective Coat is not applied to the scupper.
5. All costs associated with the installation of the downspouts, fittings, hardware, splash pads, and incidental items shall be included in the lump sum price for "Drainage System".
6. The bottom 10 feet of the exposed vertical drainage pipe shall be ductile iron pipe. Ductile iron pipe shall conform to ASTM A377 and ductile iron fittings (castings) shall conform to ASTM A536. The cost of the ductile pipe and fittings shall be included in the lumpsum price for Drainage System.