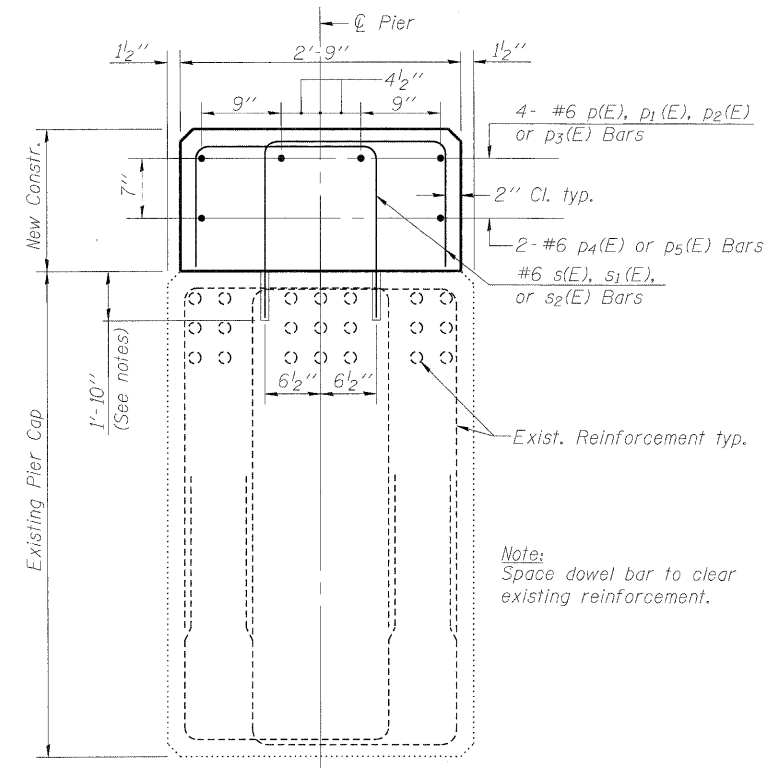
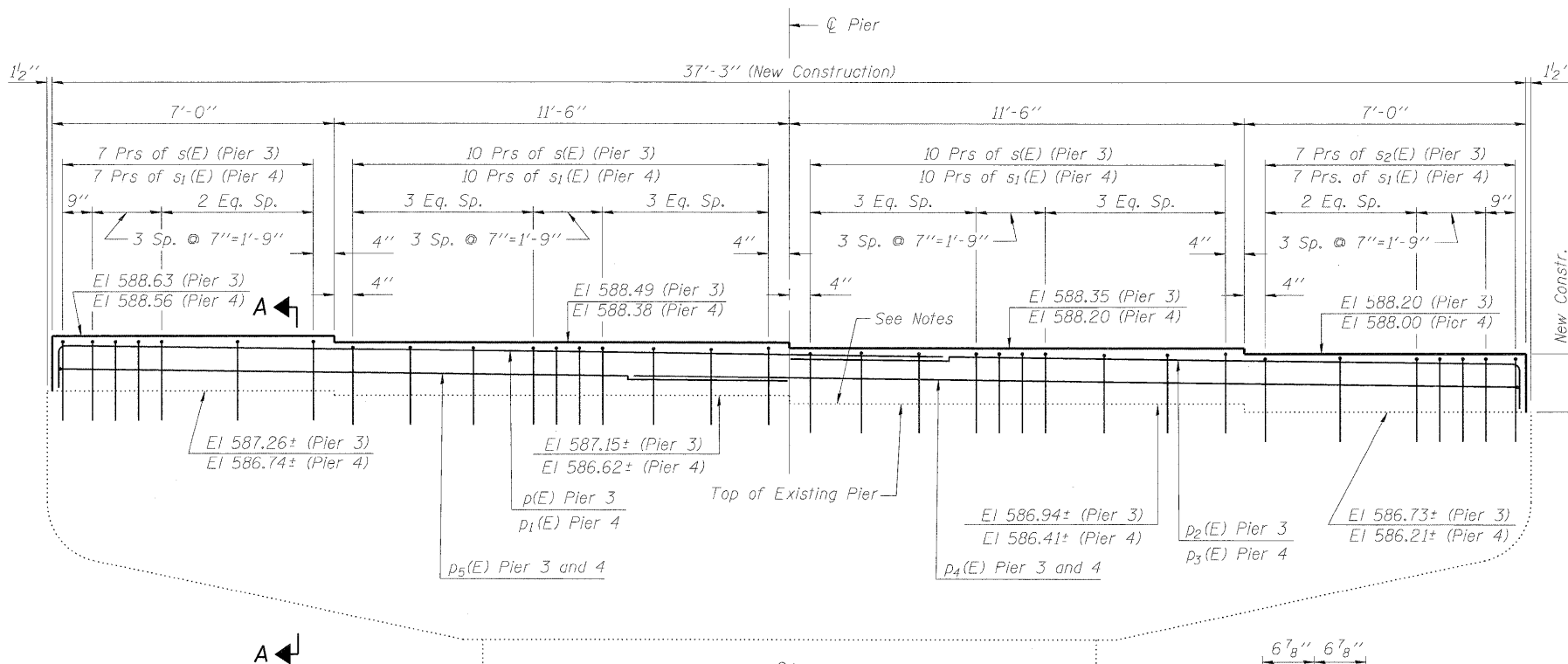


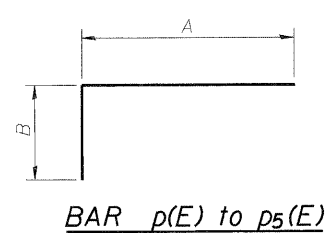
PLAN PIER 3 & 4



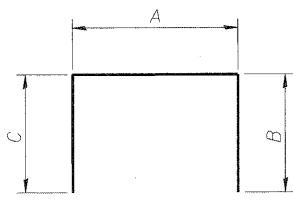
SECTION A-A



ELEVATION PIER 3 & 4



BAR p(E) to p5(E)



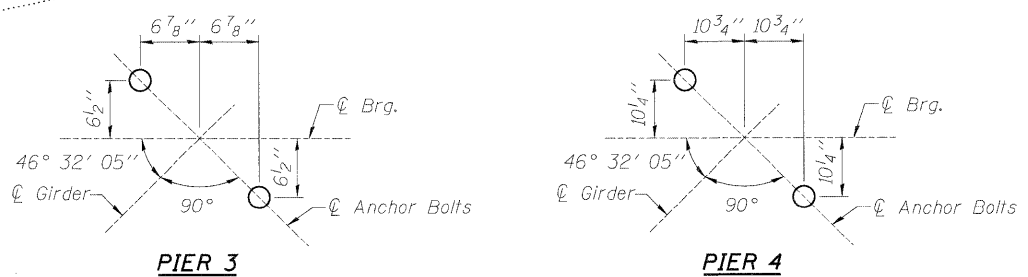
BAR s(E) to s2(E)

**PIERS
BILL OF MATERIAL**

Bar	No.	Size	Length	Shape
p(E)	4	#6	24'-1"	□
p1(E)	4	#6	24'-6"	□
p2(E)	4	#6	19'-9"	□
p3(E)	4	#6	20'-1"	□
p4(E)	4	#6	24'-8"	□
p5(E)	4	#6	20'-8"	□
s(E)	54	#6	5'-11"	□
s1(E)	68	#6	6'-9"	□
s2(E)	14	#6	6'-1"	□
Concrete Sealer		Sq. Ft.	1,250	
Concrete Structures		Cu. Yd.	13	
Reinforcement Bars, Epoxy Coated		Pound	2,100	

A, B, AND C DIMENSIONS

Bar	A	B	C
p(E)	22'-11"	1'-2"	-
p1(E)	22'-11"	1'-7"	-
p2(E)	18'-6"	1'-3"	-
p3(E)	18'-6"	1'-7"	-
p4(E)	22'-5"	2'-3"	-
p5(E)	18'-5"	2'-3"	-
s(E)	1'-9"	3'-0"	1'-2"
s1(E)	1'-9"	3'-5"	1'-7"
s2(E)	1'-9"	3'-1"	1'-3"



ANCHOR BOLT PATTERN
(Typical at all girders)

- NOTES:**
- Top surfaces of existing piers shall be coated with an epoxy bonding compound meeting the requirements of Article 1025 of the Standard Specifications prior to placing concrete. Top surfaces of piers shall be free of dust and dirt and blast tracked or scarified prior to applying epoxy.
 - Drill and grout dowel bars according to Article 584 of the Standard Specifications.