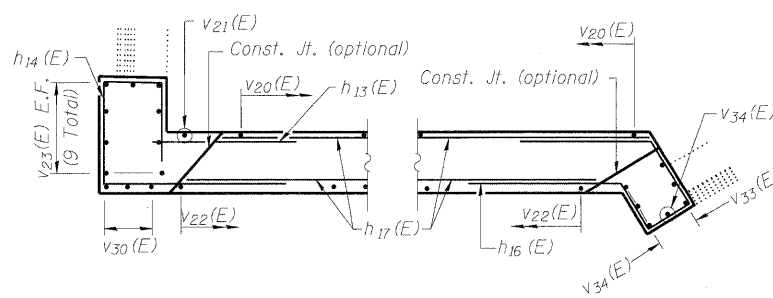
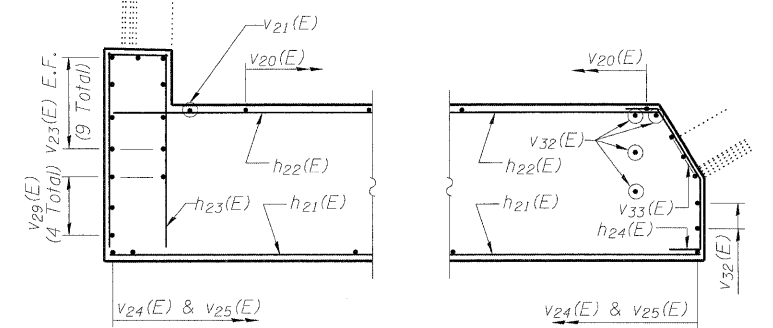


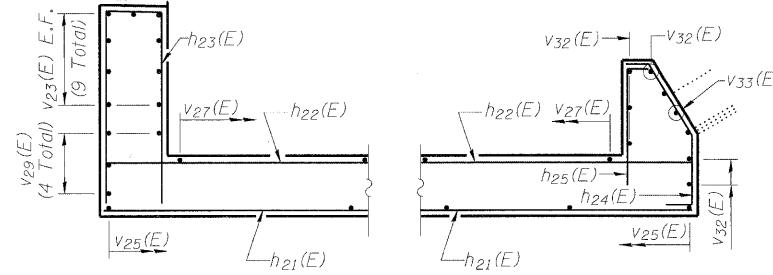
SECTION D-D



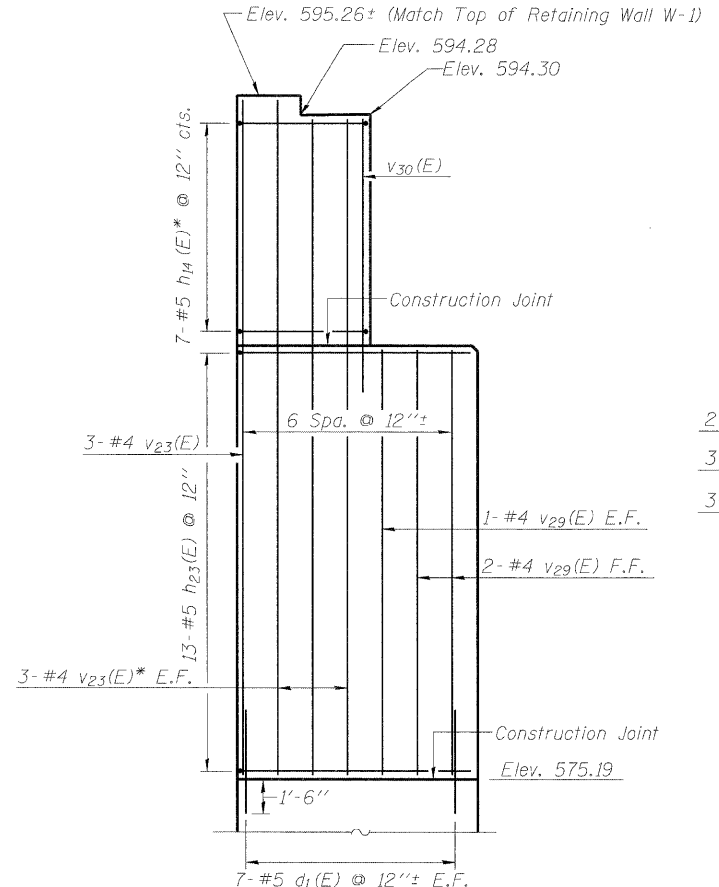
SECTION E-E



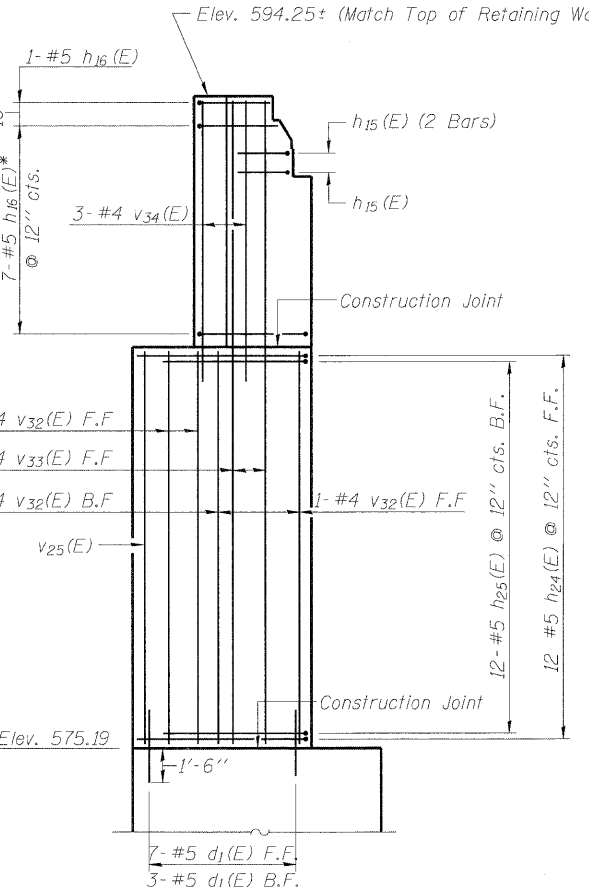
SECTION F-F



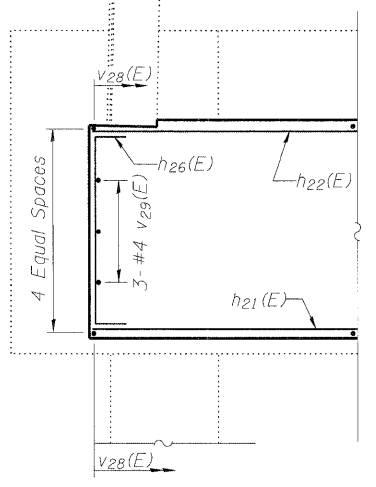
SECTION G-G



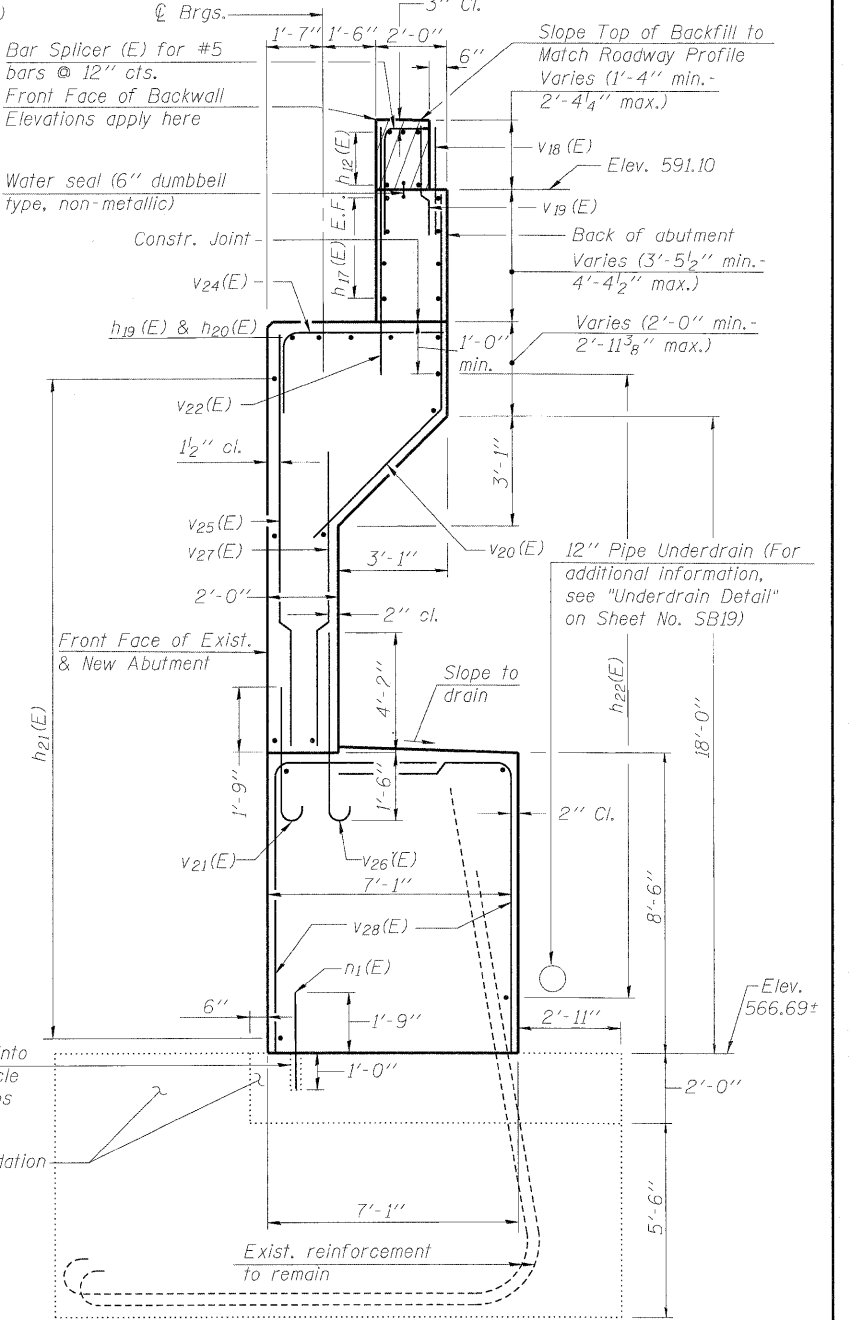
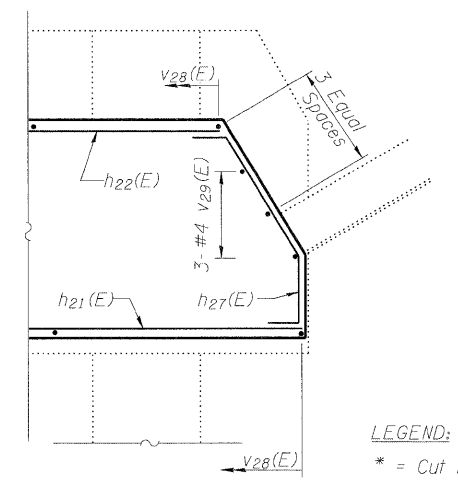
SECTION I-I



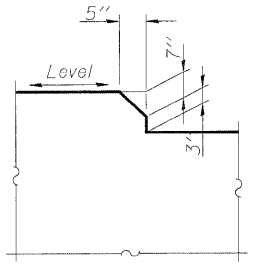
SECTION J-J



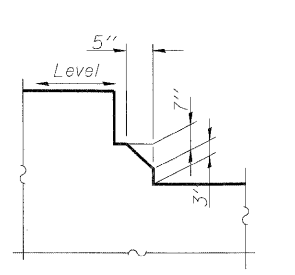
SECTION H-H



SECTION A-A



SECTION B-B



SECTION C-C

LEGEND:
* = Cut bar in field as necessary

DESIGNED - LSD	REVISD -
DRAWN - JJN	REVISD -
CHECKED - TNS	REVISD -
DATE - 1/13/09	REVISD -
PLOT DATE = 1/12/2009	

F.A.P. RTE. 392	SECTION 1717-2-3B-R	COUNTY COOK	TOTAL SHEETS 114	SHEET NO. 96
FED. ROAD DIST. NO. 7 ILLINOIS FED. AID PROJECT			CONTRACT NO. 62197	