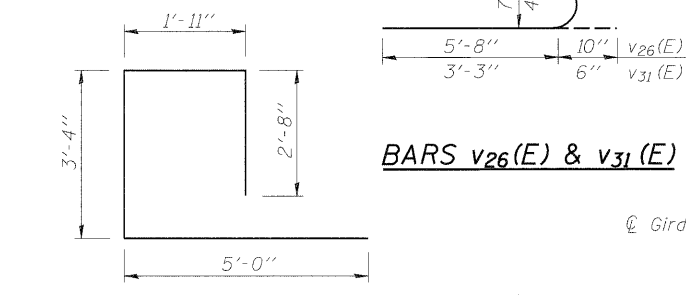
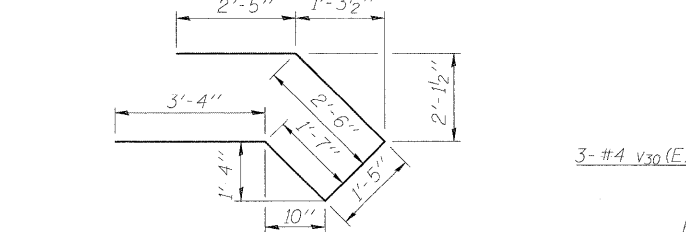


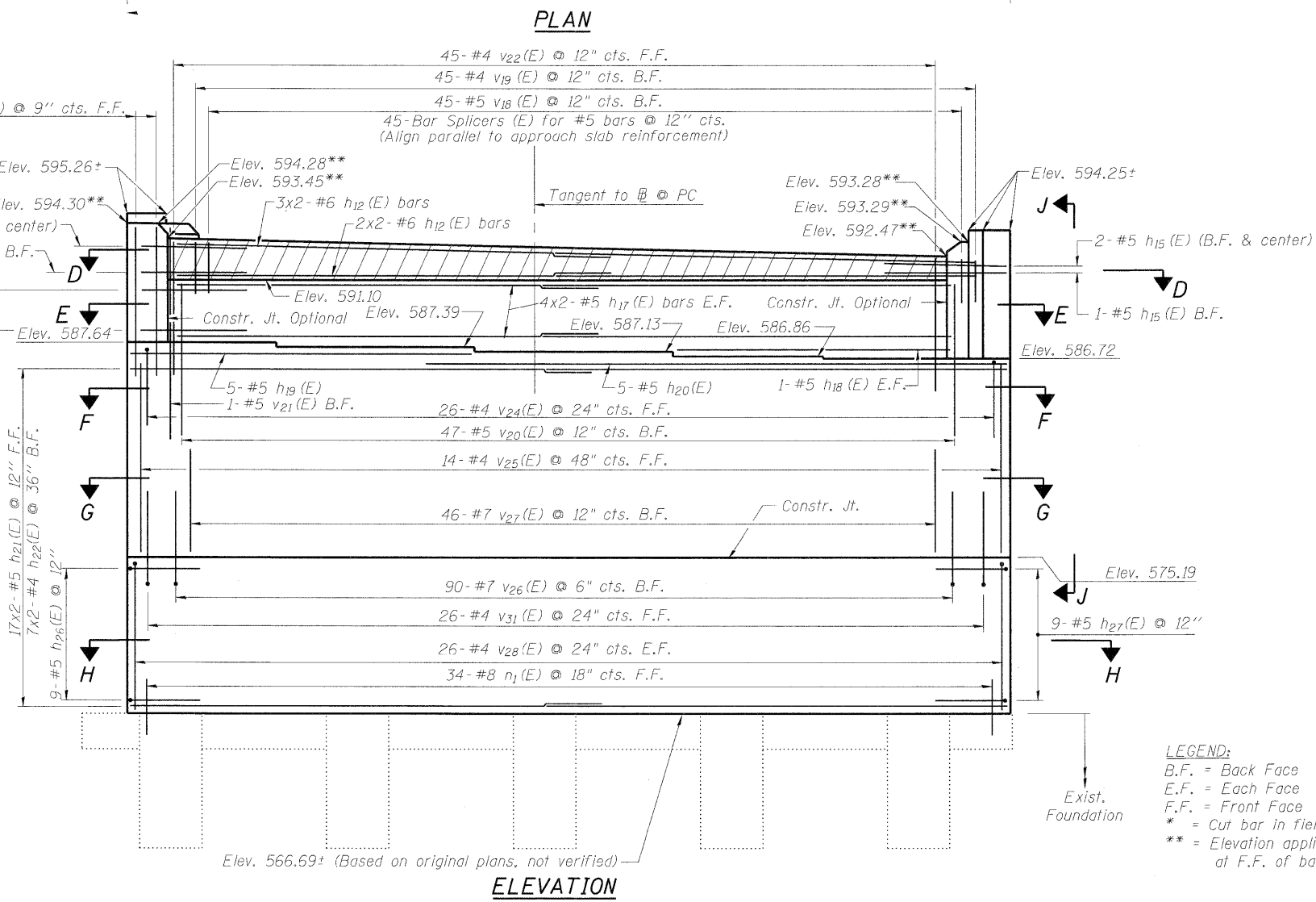
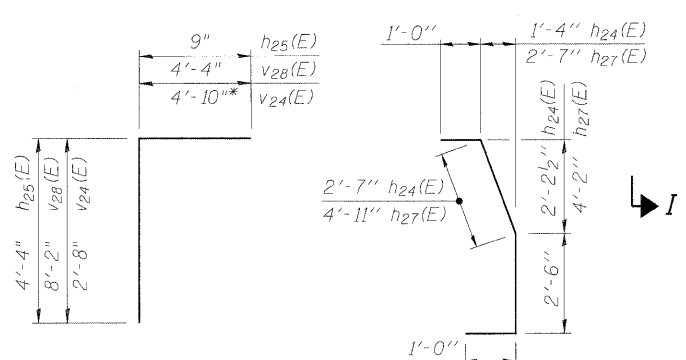
BARS h₂₃(E) & h₂₆(E)



BAR h₁₆(E)



BARS v₂₄(E), v₂₈(E) & h₂₅(E)



ABUTMENT D BILL OF MATERIAL

Bar	No.	Size	Length	Shape
h ₁₂ (E)	10	#6	23'-8"	
h ₁₃ (E)	7	#5	4'-4"	
h ₁₄ (E)	7	#5	12'-11"	
h ₁₅ (E)	3	#5	4'-11"	
h ₁₆ (E)	8	#5	11'-3"	
h ₁₇ (E)	16	#5	23'-8"	
h ₁₈ (E)	2	#5	15'-4"	
h ₁₉ (E)	5	#5	19'-3"	
h ₂₀ (E)	5	#5	32'-8"	
h ₂₁ (E)	34	#5	25'-11"	
h ₂₂ (E)	14	#4	25'-7"	
h ₂₃ (E)	13	#5	14'-11"	
h ₂₄ (E)	12	#5	7'-1"	
h ₂₅ (E)	12	#5	5'-1"	
h ₂₆ (E)	9	#5	8'-5"	
h ₂₇ (E)	9	#5	9'-5"	
v ₁₈ (E)	45	#5	3'-9"	
v ₁₉ (E)	45	#4	4'-7"	
v ₂₀ (E)	47	#5	11'-7"	
v ₂₁ (E)	1	#5	14'-7"	
v ₂₂ (E)	45	#4	6'-7"	
v ₂₃ (E)	9	#4	19'-4"	
v ₂₄ (E)	26	#4	7'-6"	
v ₂₅ (E)	14	#4	11'-4"	
v ₂₆ (E)	90	#7	6'-6"	
v ₂₇ (E)	46	#7	8'-3"	
v ₂₈ (E)	52	#4	12'-6"	
v ₂₉ (E)	7	#4	12'-3"	
v ₃₀ (E)	3	#4	7'-6"	
v ₃₁ (E)	26	#4	3'-9"	
v ₃₂ (E)	9	#4	11'-4"	
v ₃₃ (E)	3	#4	18'-6"	
v ₃₄ (E)	4	#4	7'-0"	
d ₁ (E)	24	#5	4'-1"	
n ₁ (E)	34	#8	2'-9"	
Concrete Sealer		Sq. Ft.	1,530	
Concrete Structures		Cu. Yd.	200	
Reinforcement Bars, Epoxy Coated		Pound	7,500	

NOTES:

- For additional notes pertaining to abutments see Sheet No. SB15.
- For Water Seal details, see Sheet No. SB15.

LEGEND:

B.F. = Back Face
 E.F. = Each Face
 F.F. = Front Face
 * = Cut bar in field as necessary
 ** = Elevation applies at F.F. of backwall