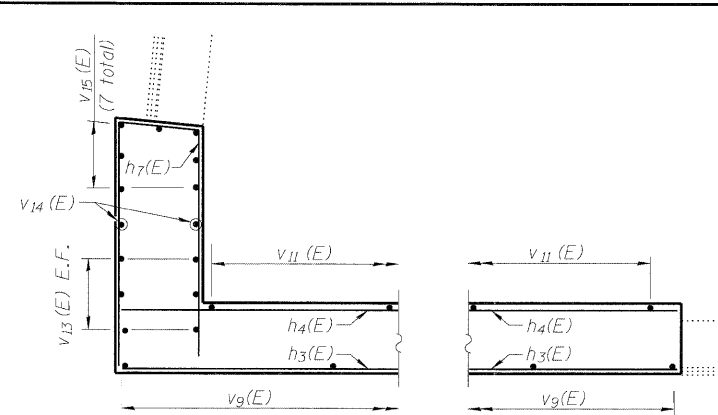
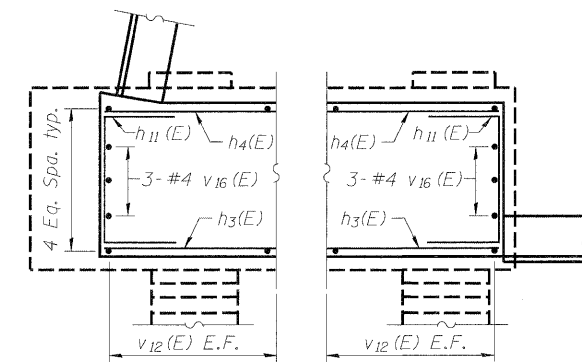


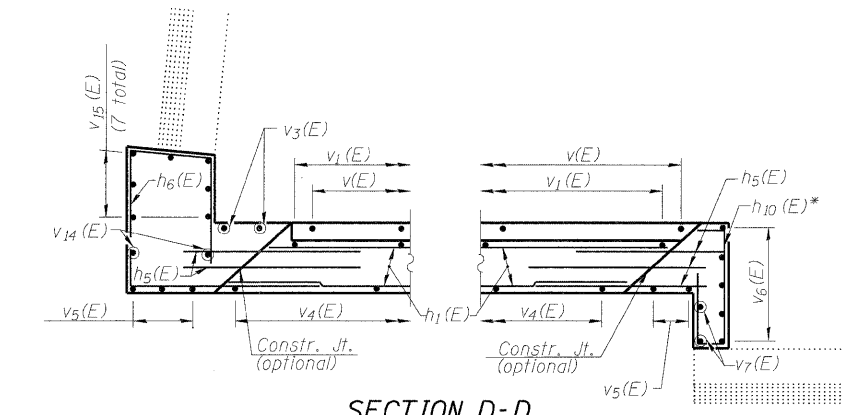
SECTION C-C



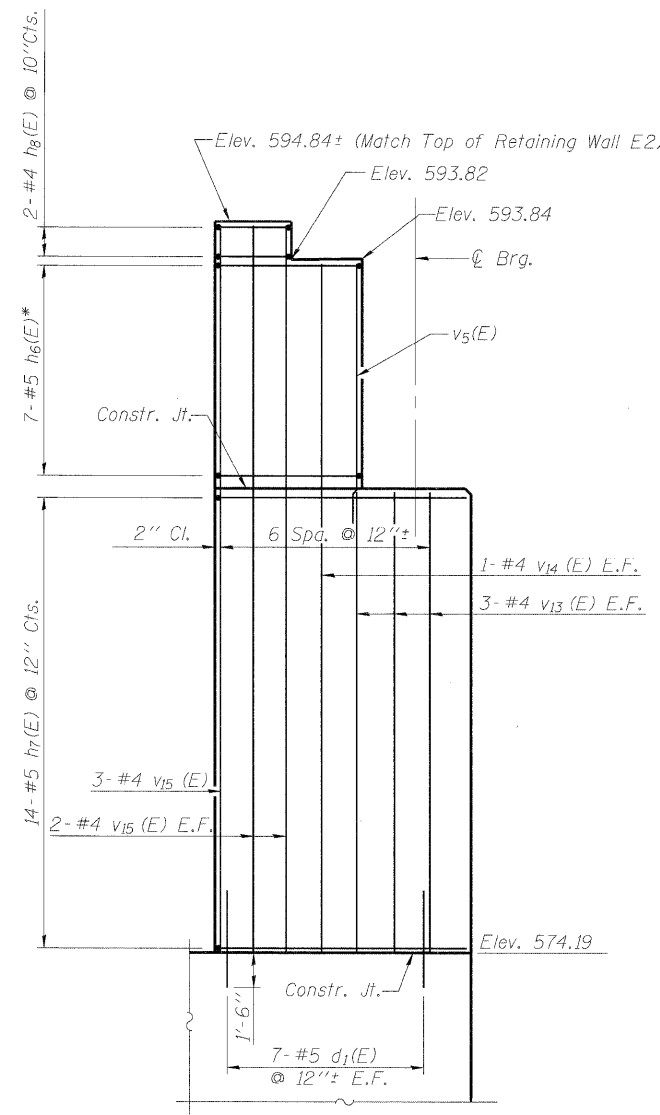
SECTION G-G



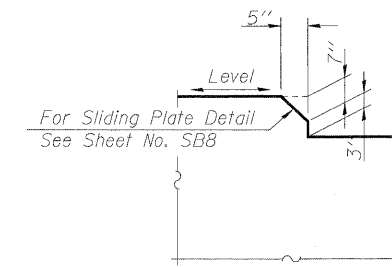
SECTION H-H



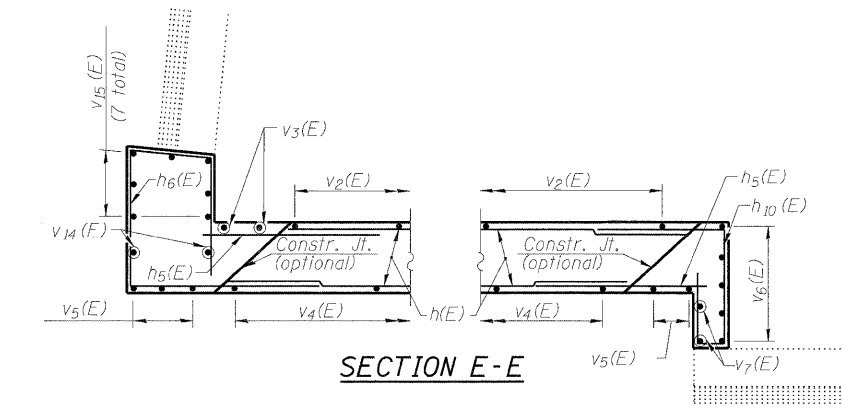
SECTION D-D



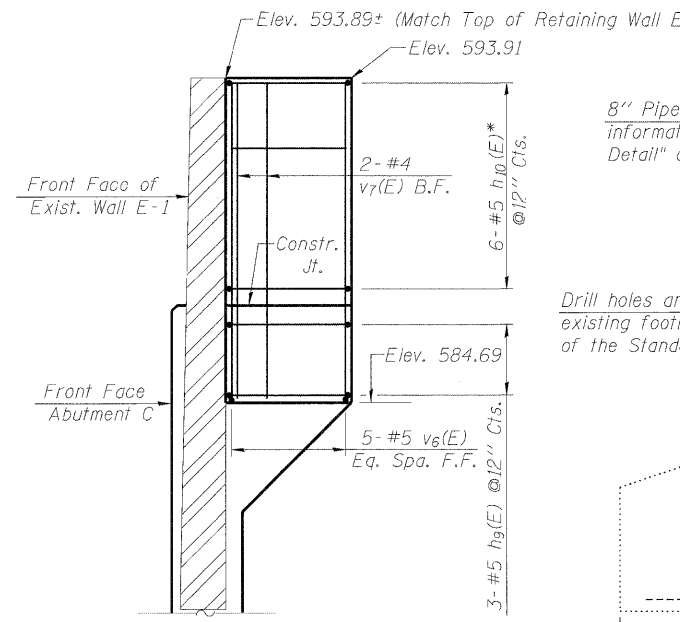
SECTION I-I



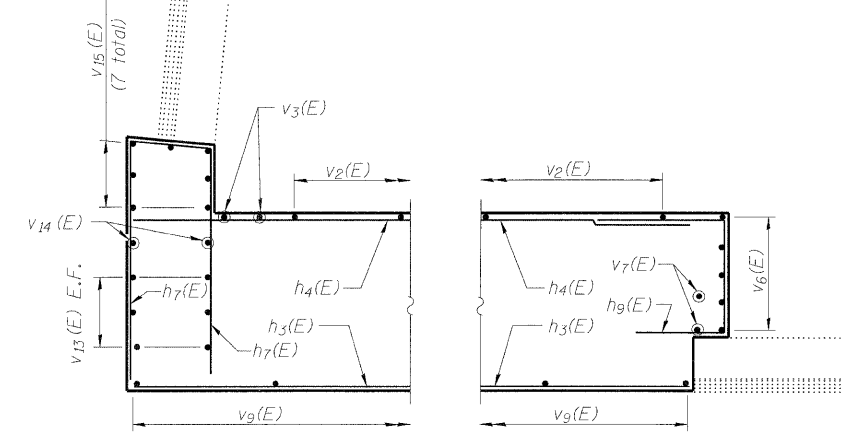
SECTION B-B



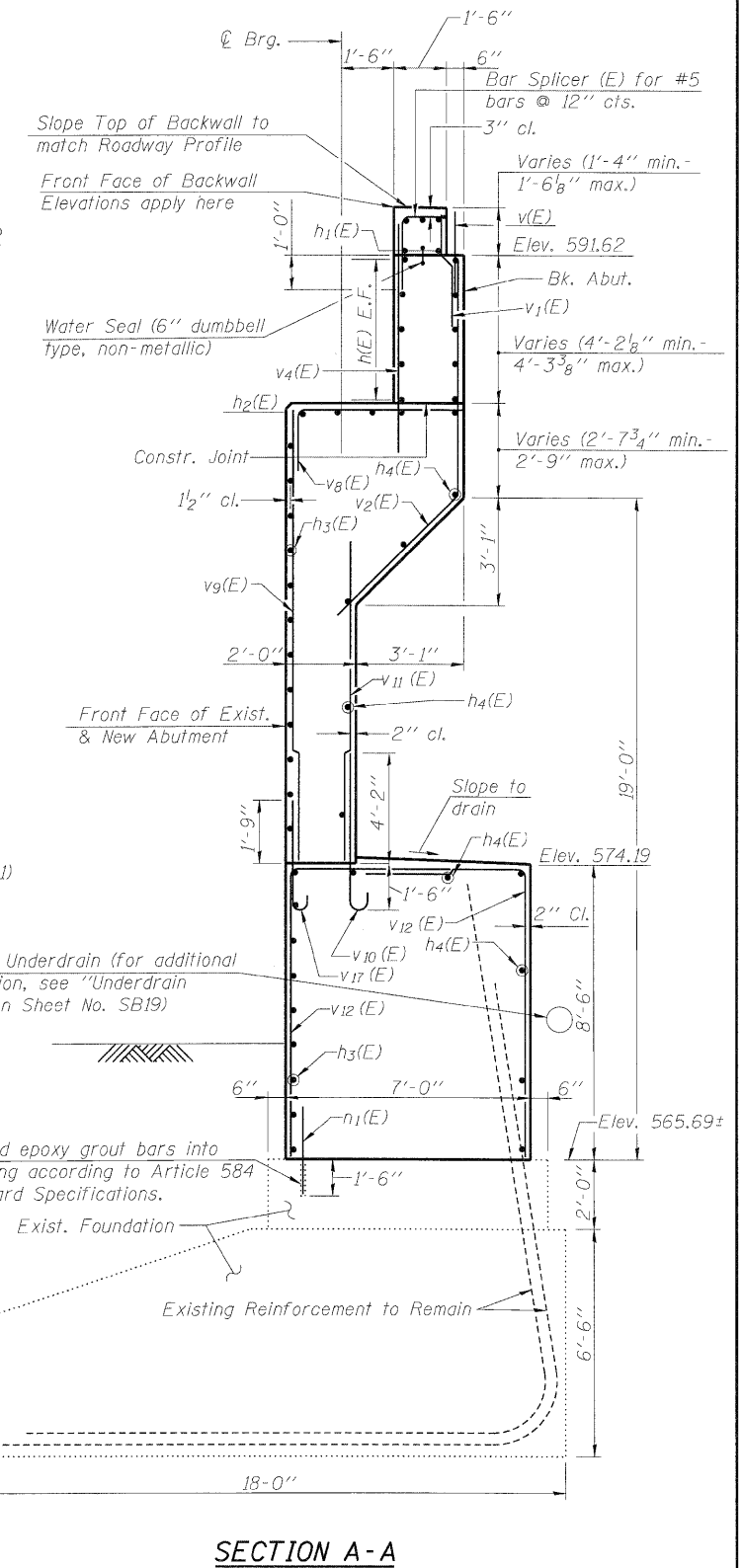
SECTION E-E



SECTION J-J



SECTION F-F



SECTION A-A

LEGEND:
* = Cut bar in field as necessary

FILE NAME = 0161093-SB16.dgn JACOBS	DESIGNED - LSD	REVISED -	STATE OF ILLINOIS DEPARTMENT OF TRANSPORTATION	ABUTMENT C SECTIONS F.A.P. 392 FRANKLIN CONNECTOR (AT I-55 FRONTAGE ROAD B) STRUCTURE NO. 016-1093		F.A.P. RTE. 392	SECTION 1717-2-3B-R	COUNTY COOK	TOTAL SHEETS 114	SHEET NO. 94
	DRAWN - JJN	REVISED -		SCALE: NTS	SHEET NO. SB16 OF SB24 SHEETS	STA. 85+60.68	CONTRACT NO. 62197		FED. ROAD DIST. NO. 7 ILLINOIS FED. AID PROJECT	
PLOT DATE = 1/12/2009	CHECKED - TNS	REVISED -								
	DATE - 1/13/09	REVISED -								