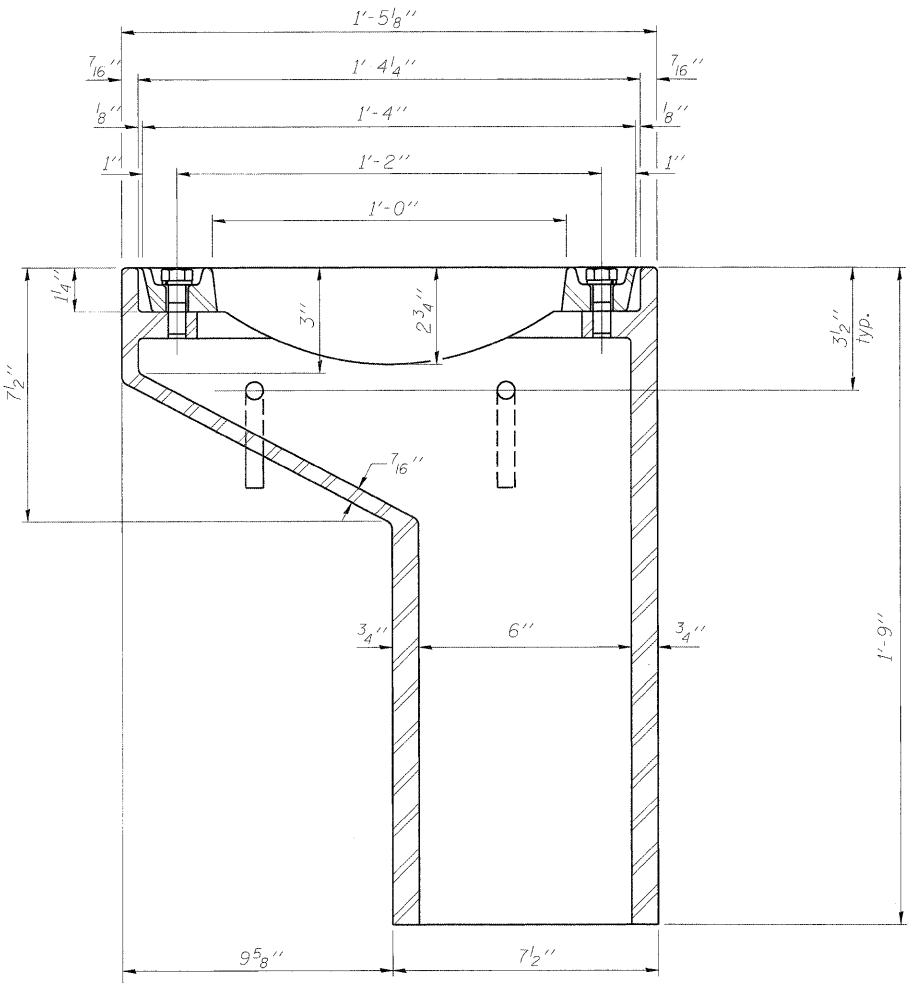
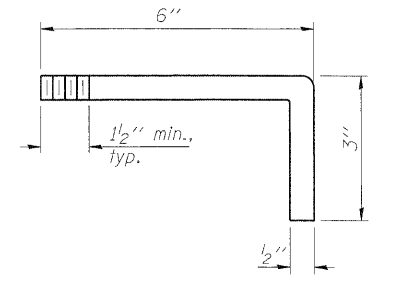
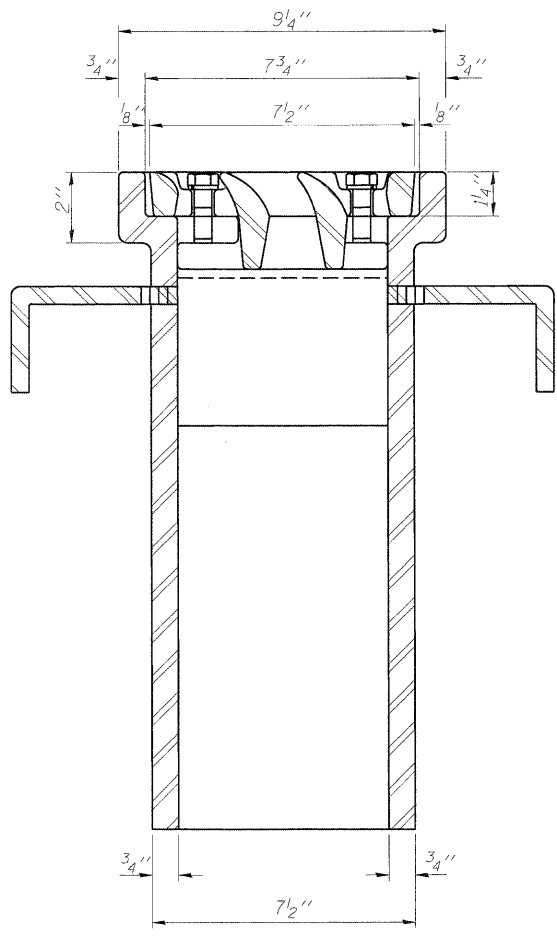


- Notes:
1. All cast iron parts shall be gray iron conforming to the requirements of AASHTO M 105, Class 35B.
  2. Bolts, anchor studs, washers and nuts shall conform to the requirements of ASTM A 307 and shall be galvanized according to AASHTO M 232.
  3. As an alternate, bolts, anchor studs, washers and nuts may be stainless steel according to Article 1006.29(d) of the Standard Specifications.
  4. Structural steel weldments of equal sections and of the same configuration may be substituted for the cast iron scupper frame. Fillet or full penetration welds shall be used for the weldments. Details shall be submitted to the Engineer for approval. Structural steel weldments shall not be substituted for the cast iron scupper grate. Structural steel frames shall be galvanized according to AASHTO M111.
  5. The Contractor shall take appropriate measures to assure that Protective Coat is not applied to the scupper.
  6. Cost of the Grate, Frame, Anchor Studs, Bolts, Washers and Nuts including complete installation of the scupper shall be paid for at the contract unit price each for Drainage Scupper, DS-II.
  7. Drains shall be located clear of all diaphragms.



See Sheet No. SB7 for scupper location relative to parapet.



**BILL OF MATERIAL**

Item	Unit	Quantity
Drainage Scupper, DS-11	Each	2