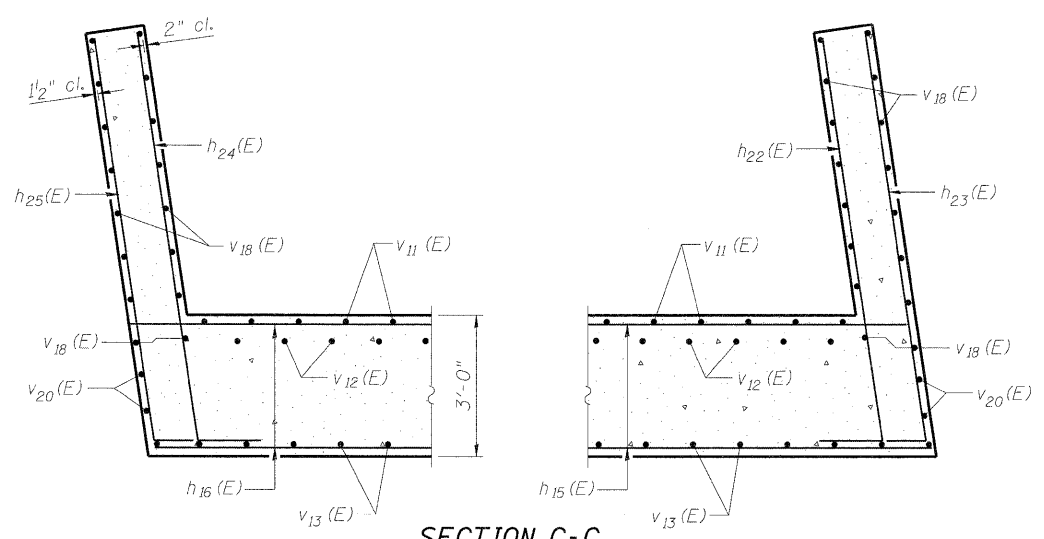
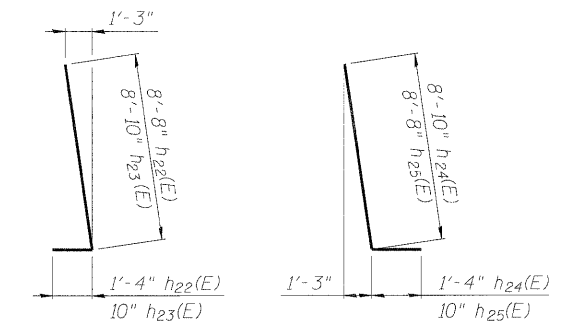


SECTION B-B

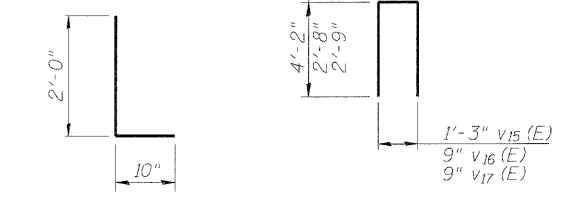


SECTION C-C



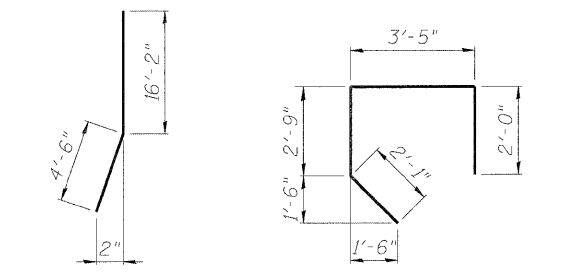
BARS h22(E) and h23(E)

BARS h24(E) and h25(E)



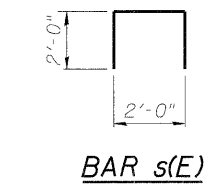
BAR h26(E)

BAR v15(E), v16(E) and v17(E)

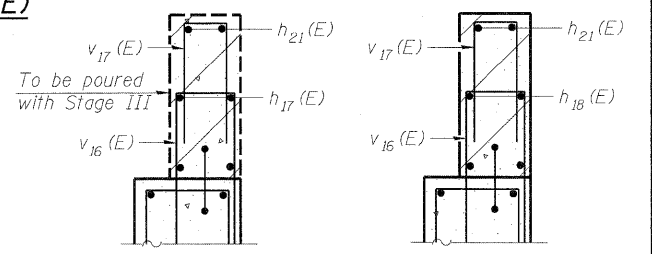


BAR v12(E)

BAR v14(E)



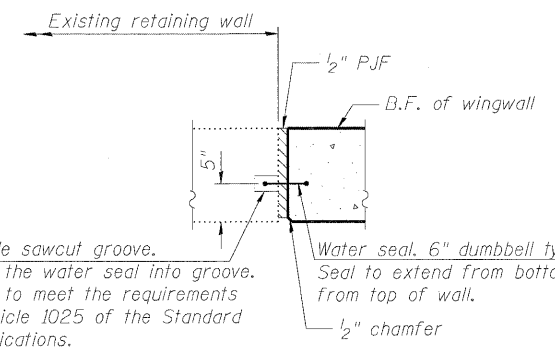
BAR s(E)



SECTION D-D

SECTION E-E

Blockout to be covered during Stage II to allow sidewalk access.



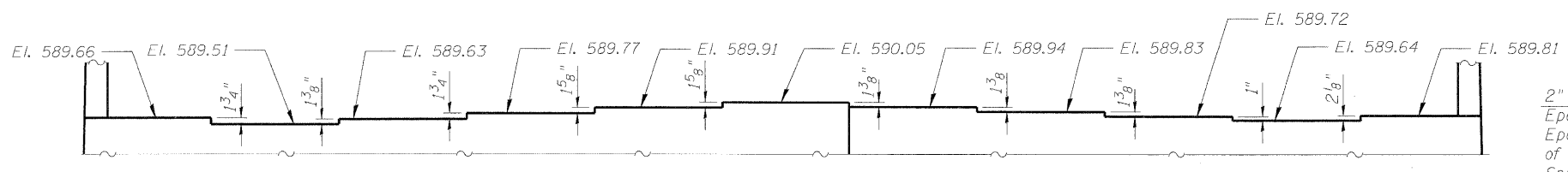
SECTION F-F

Cost of water seal installation is included with Concrete Structures.

ABUTMENT B
BILL OF MATERIAL

Bar	No.	Size	Length	Shape
h15(E)	32	#5	30'-5"	
h16(E)	32	#5	37'-2"	
h17(E)	10	#5	29'-8"	
h18(E)	10	#5	36'-4"	
h19(E)	3	#5	5'-11"	
h20(E)	3	#5	12'-4"	
h21(E)	4	#5	8'-9"	
h22(E)	22	#8	10'-0"	
h23(E)	22	#5	9'-8"	
h24(E)	22	#8	10'-2"	
h25(E)	22	#5	9'-6"	
h26(E)	18	#5	2'-10"	
h27(E)	14	#5	6'-6"	
h28(E)	14	#5	6'-8"	
h29(E)	16	#5	3'-6"	
v11(E)	68	#9	20'-6"	
v12(E)	66	#8	20'-8"	
v13(E)	18	#4	20'-6"	
v14(E)	68	#5	10'-3"	
v15(E)	68	#5	9'-7"	
v16(E)	68	#5	6'-1"	
v17(F)	18	#5	6'-3"	
v18(E)	32	#5	26'-8"	
v19(E)	12	#5	4'-1"	
v20(E)	4	#5	20'-10"	
v21(E)	49	#5	2'-10"	
n(E)	68	#9	7'-9"	
s(E)	20	#5	6'-0"	
Structure Excavation		Cu. Yd.	680	
Concrete Structures		Cu. Yd.	208	
Reinforcement Bars, Epoxy Coated		Pound	18,640	
Concrete Sealer		Sq. Ft.	2,610	

For details of Bar Splicers, see sheet SA29.



STEP DIAGRAM

Looking East