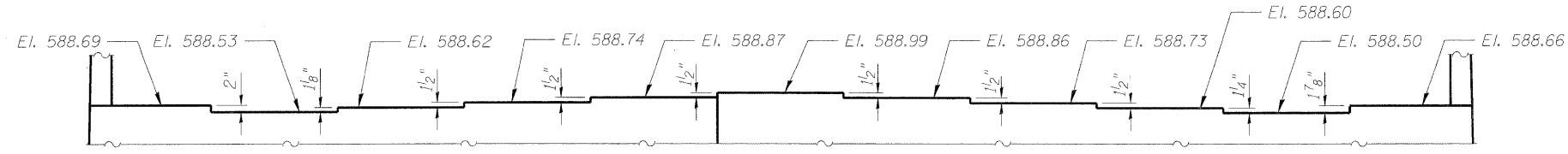
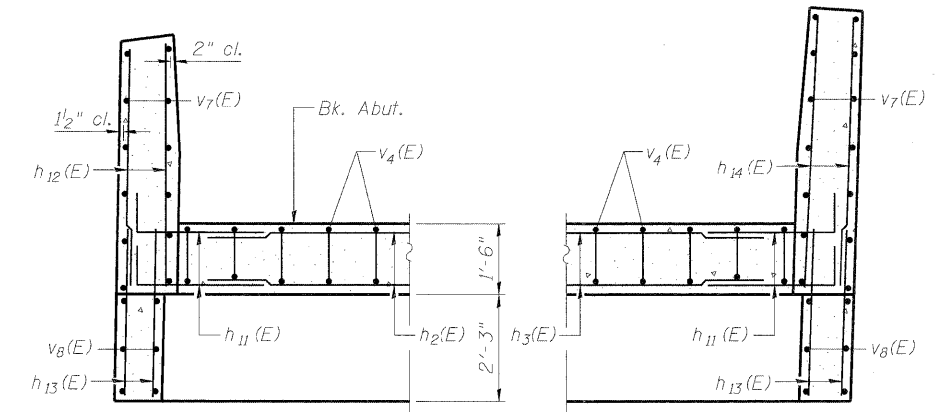


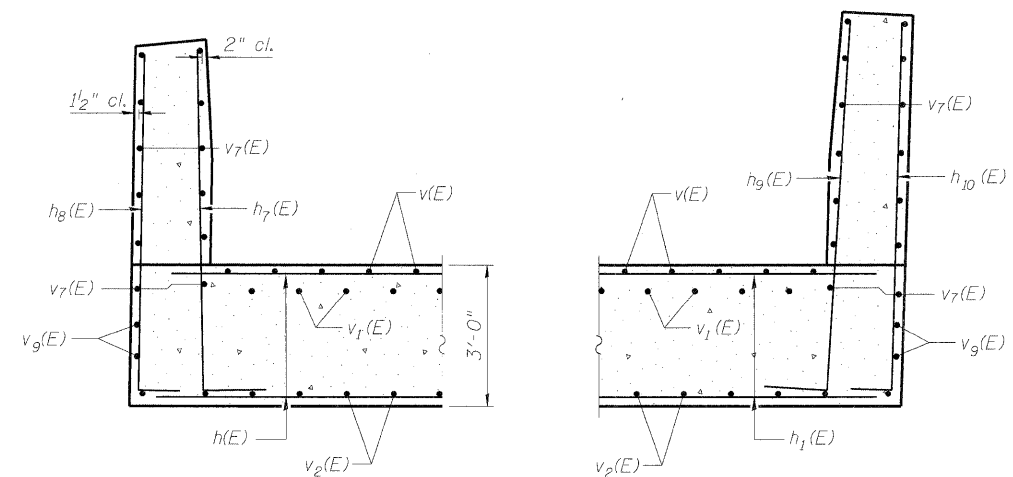
WINGWALL ELEVATION
Cut or adjust bars as req'd to match existing retaining wall.



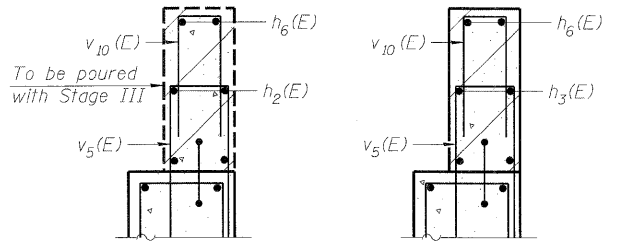
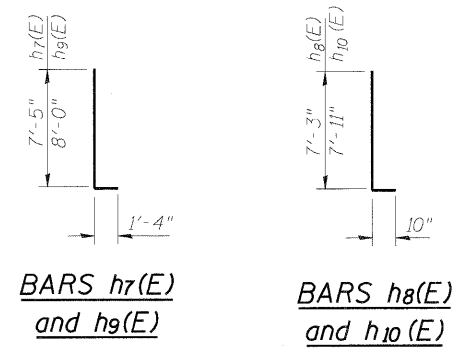
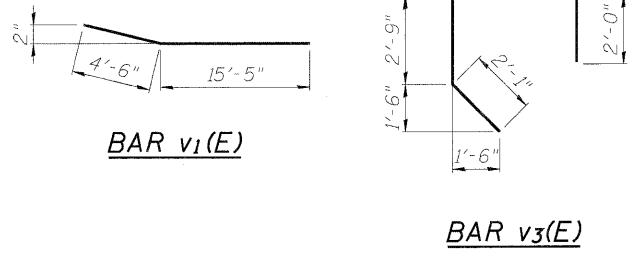
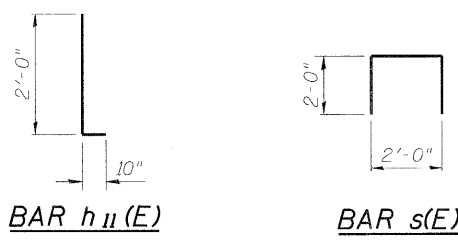
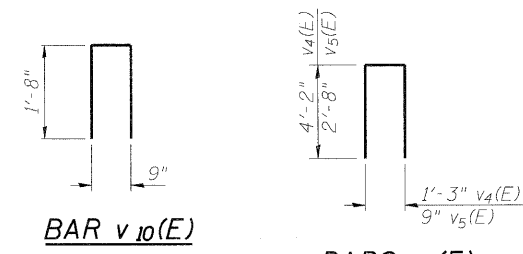
STEP DIAGRAM
Looking West



SECTION B-B

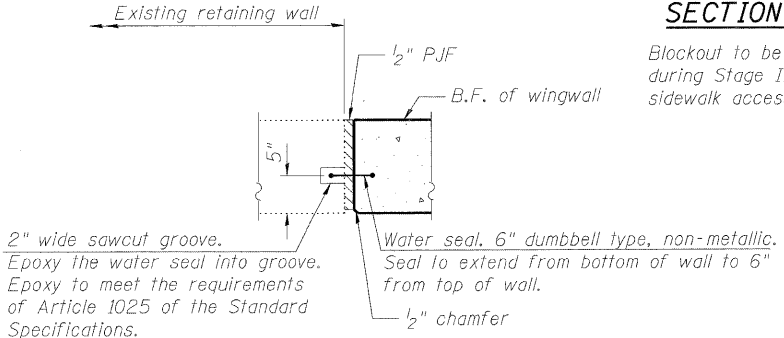


SECTION C-C



SECTION D-D **SECTION E-E**

Blockout to be covered during Stage II to allow sidewalk access.



SECTION F-F

Cost of water seal installation is included with Concrete Structures.

ABUTMENT A
BILL OF MATERIAL

Bar	No.	Size	Length	Shape
h(E)	31	#5	30'-7"	—
h ₁ (E)	31	#5	36'-11"	—
h ₂ (E)	10	#5	29'-3"	—
h ₃ (E)	10	#5	35'-9"	—
h ₄ (E)	3	#5	5'-11"	—
h ₅ (E)	3	#5	12'-3"	—
h ₆ (E)	4	#5	8'-7"	—
h ₇ (E)	21	#8	8'-9"	┌┐
h ₈ (E)	21	#5	8'-1"	┌┐
h ₉ (E)	21	#8	9'-4"	┌┐
h ₁₀ (E)	21	#5	8'-9"	┌┐
h ₁₁ (E)	18	#5	2'-10"	┌┐
h ₁₂ (E)	14	#5	5'-1"	—
h ₁₃ (E)	16	#5	3'-1"	—
h ₁₄ (E)	14	#5	5'-9"	—
v(E)	66	#9	19'-11"	—
v ₁ (E)	65	#8	19'-11"	┌┐
v ₂ (E)	18	#4	19'-11"	—
v ₃ (E)	67	#5	10'-3"	┌┐
v ₄ (E)	67	#5	9'-7"	┌┐
v ₅ (E)	67	#5	6'-1"	┌┐
v ₆ (E)	49	#5	3'-0"	┌┐
v ₇ (E)	26	#5	25'-11"	—
v ₈ (E)	12	#5	4'-1"	—
v ₉ (E)	4	#5	19'-11"	—
v ₁₀ (E)	18	#5	4'-1"	┌┐
n(E)	66	#9	7'-9"	—
s(E)	20	#5	6'-0"	┌┐
Structure Excavation		Cu. Yd.	635	
Concrete Structures		Cu. Yd.	200	
Reinforcement Bars, Epoxy Coated		Pound	17,510	
Concrete Sealer		Sq. Ft.	2,420	

For details of Bar Splicers, see sheet SA29.