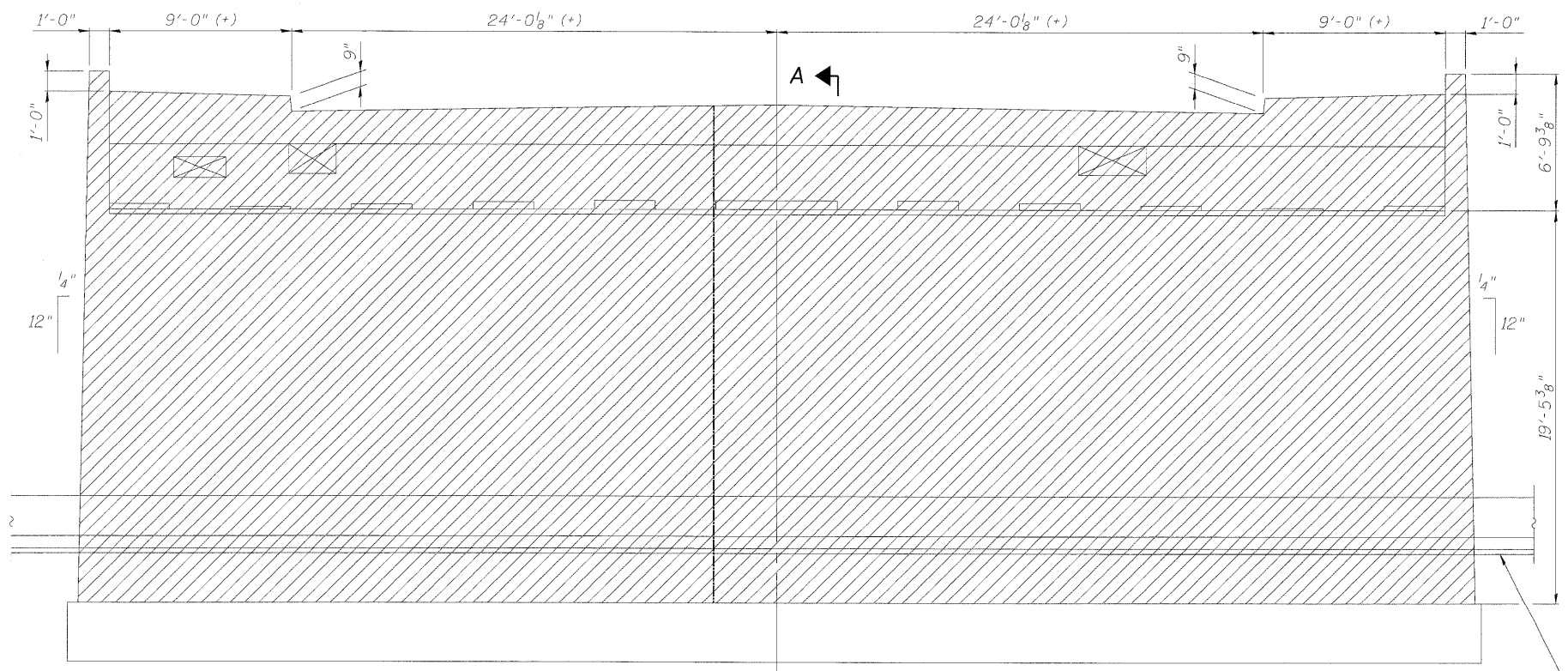


PLAN ABUTMENT A

ITEM	UNIT	TOTAL
Concrete Removal	Cu. Yd.	291

NOTES:

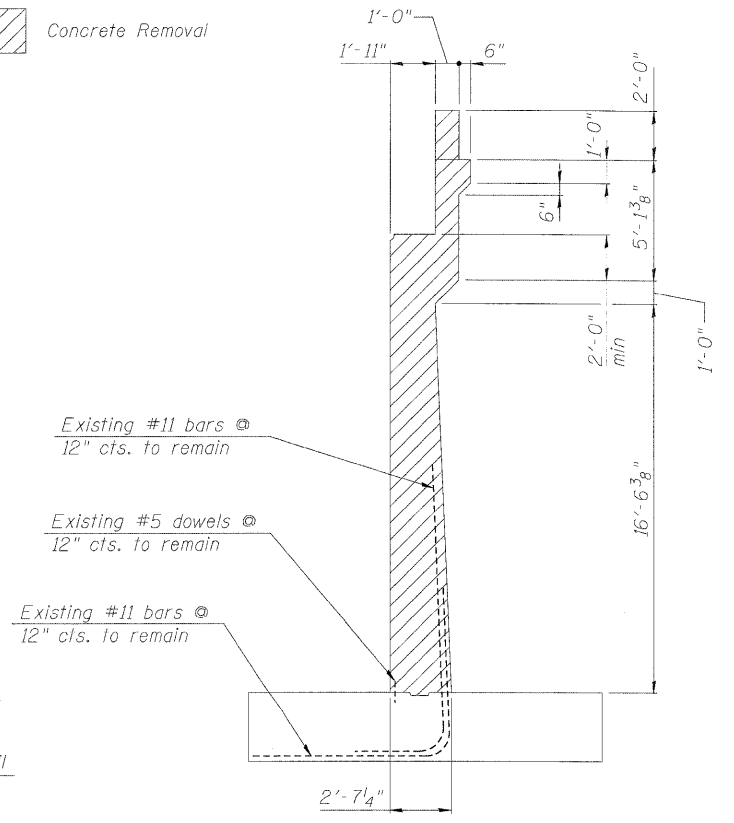
- Hatched areas indicate Concrete Removal.
- Abutment reinforcement identified as 'existing to remain' shall be cleaned, straightened and incorporated into the new construction. Cost included with Concrete Removal.
- Any reinforcement bars that are damaged during concrete removal operations shall be repaired or replaced using an approved bar splicer or anchorage system. Cost included with Concrete Removal.
- Bill of Material includes Concrete Removal quantities for Abutments A & B.



ELEVATION ABUTMENT A

LEGEND:

Concrete Removal



SECTION A-A