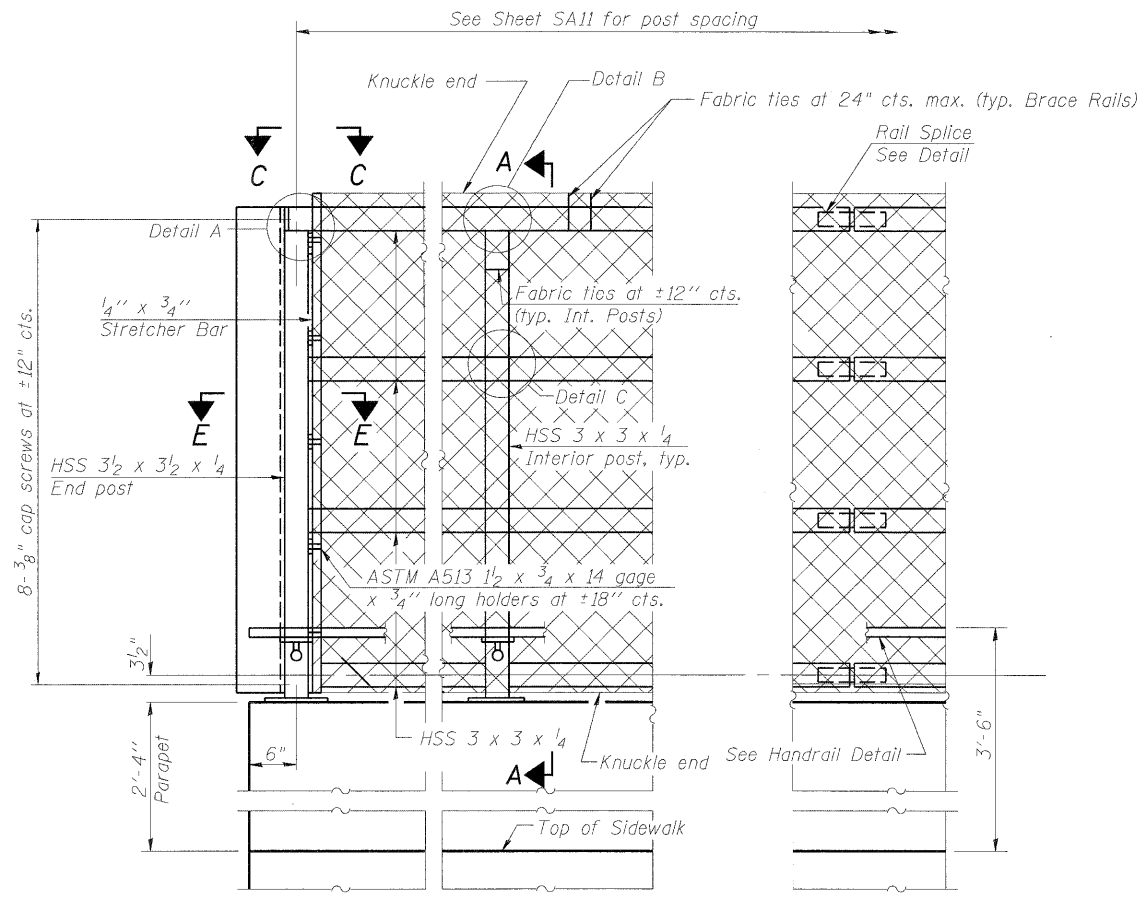
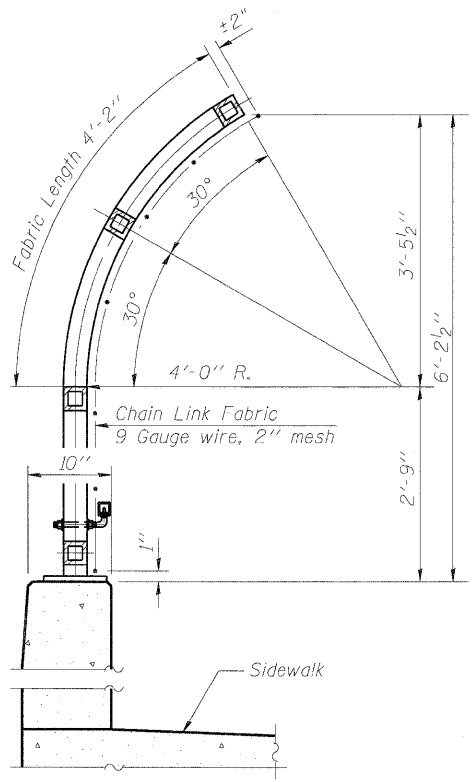


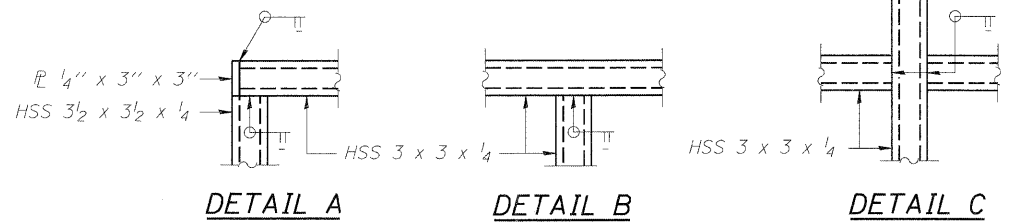
Note:
All steel rail elements shall be galvanized according to Article 509.05 of the Standard Specifications.



ELEVATION
(Inside Face)



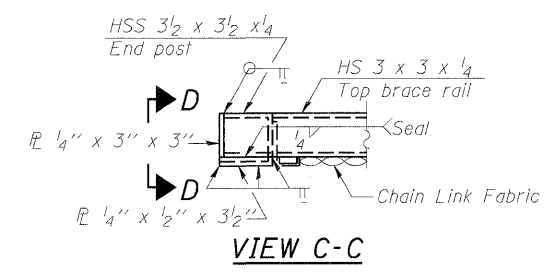
SECTION A-A



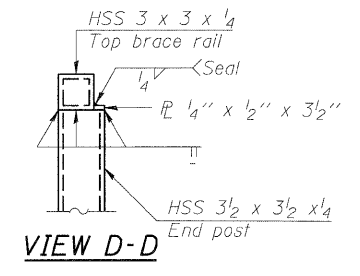
DETAIL A

DETAIL B

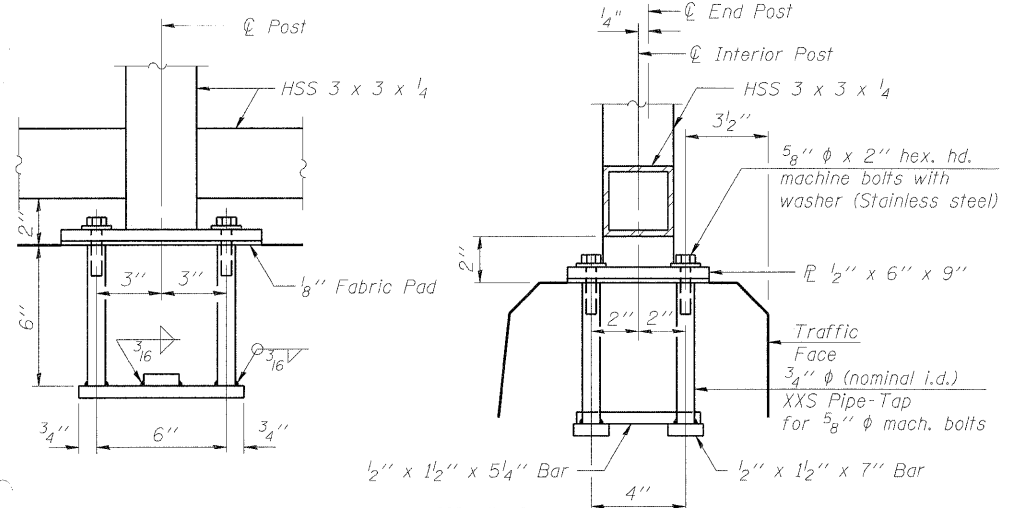
DETAIL C



VIEW C-C

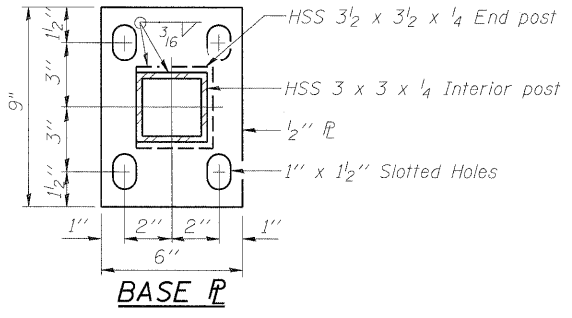


VIEW D-D

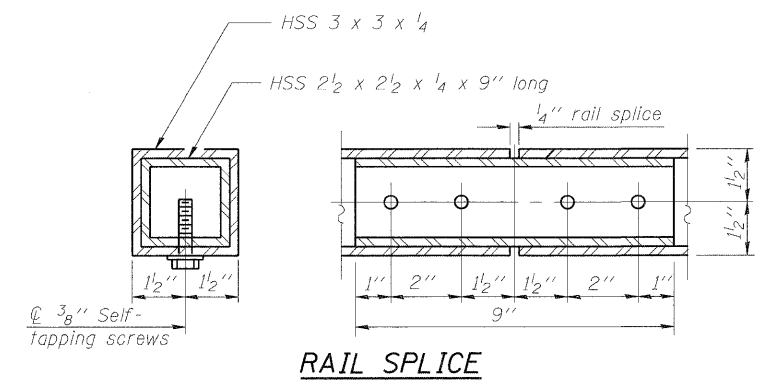


ANCHOR BOLT DETAILS

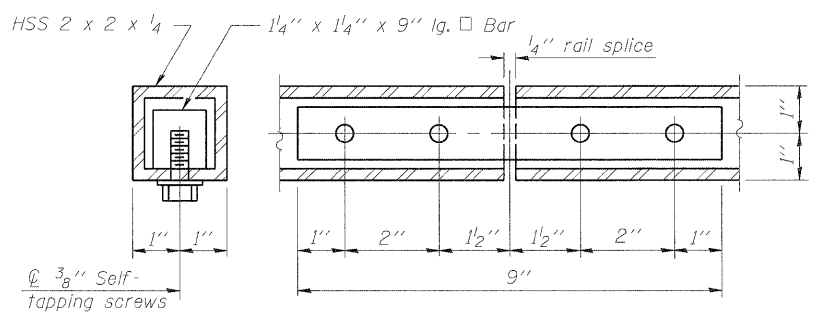
In lieu of the cast-in-place anchor device shown, the Contractor has the option of drilling and setting 5/8" anchor rods according to Article 509.06 of the Standard Specifications. Embedment shall be according to the manufacturer's specifications.



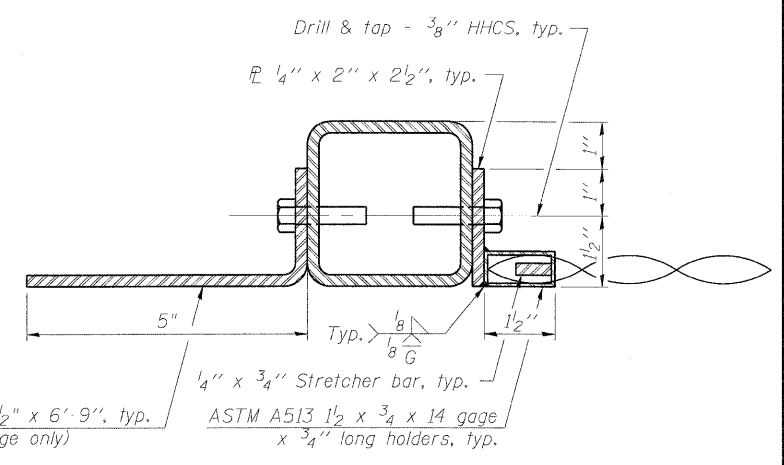
BASE P
(Handrail)



RAIL SPLICE



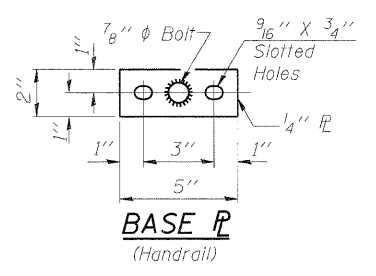
HANDRAIL SPLICE



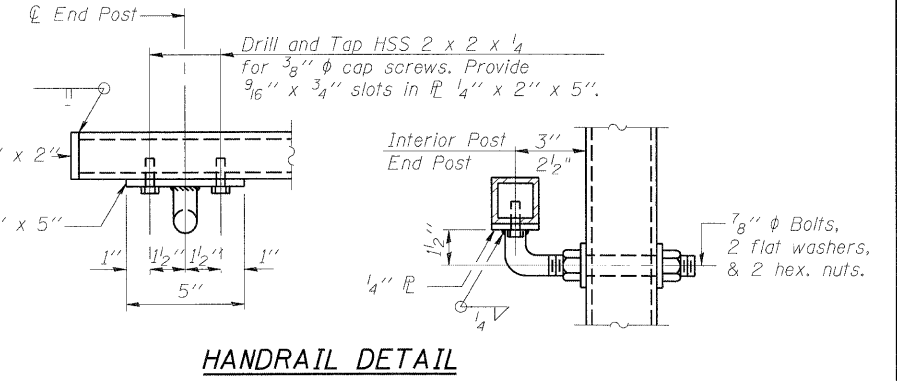
SECTION E-E

BILL OF MATERIAL

Item	Unit	Quantity
Bridge Fence Railing	Foot	388



BASE P
(Handrail)



HANDRAIL DETAIL