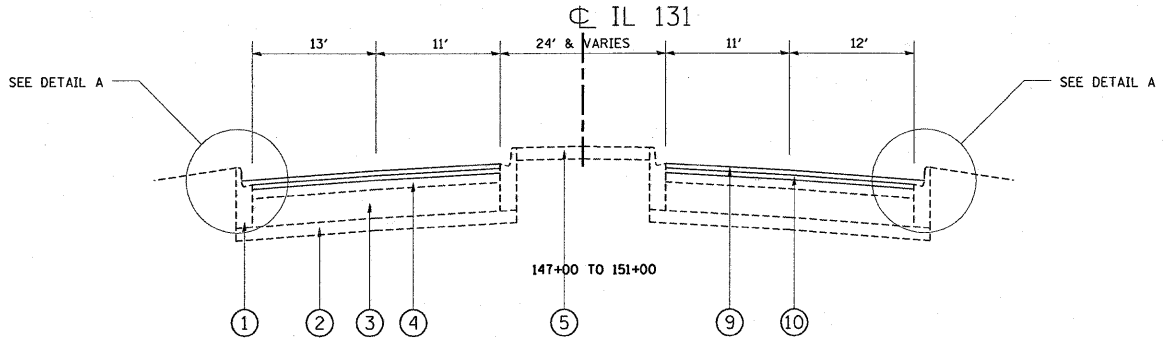
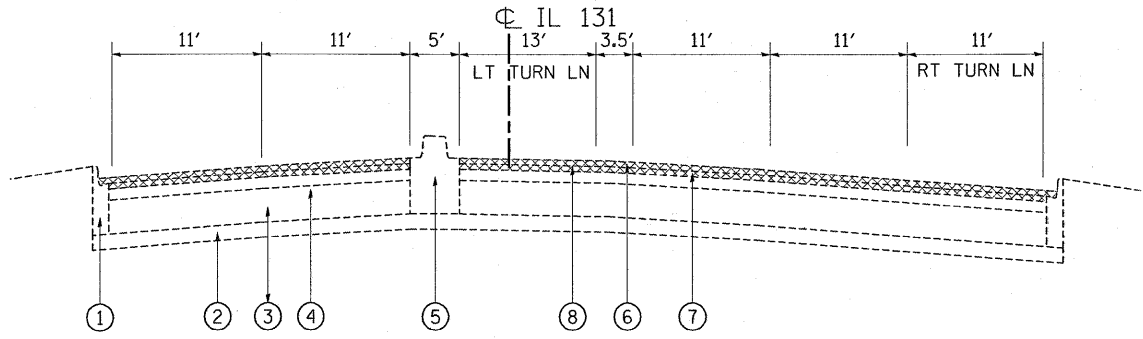


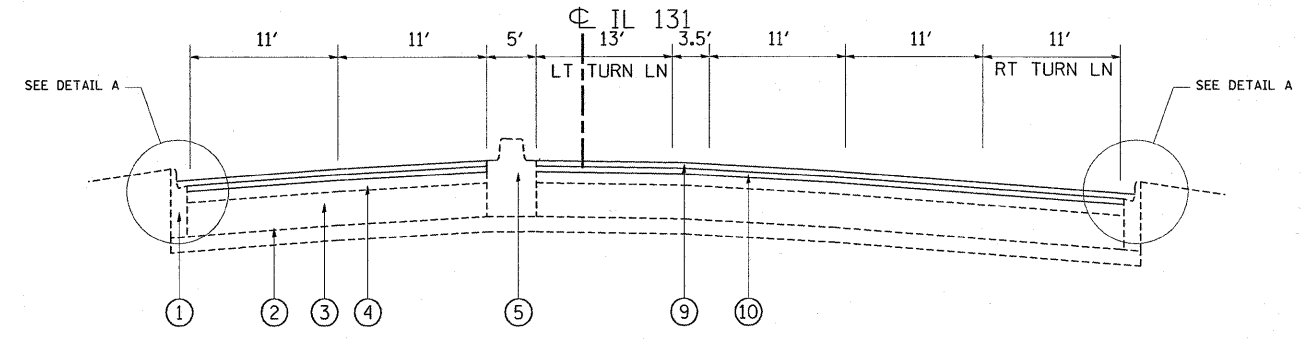
EXISTING TYPICAL SECTION  
IL 131  
STA. 147+00 TO STA. 151+00  
LOOKING NORTH



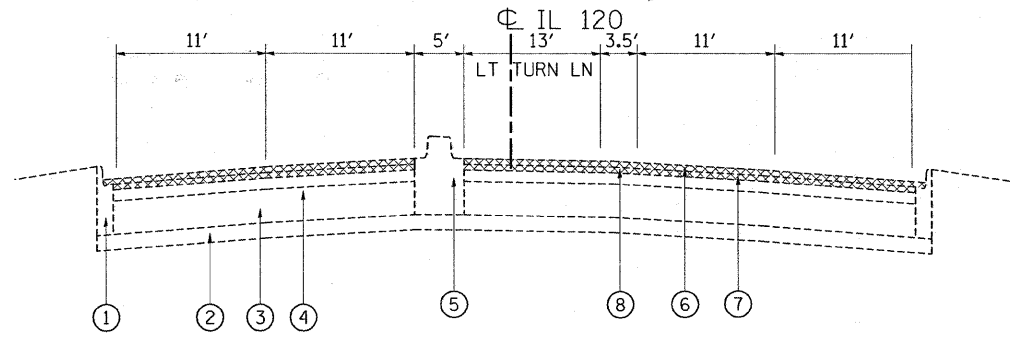
PROPOSED TYPICAL SECTION  
IL 131  
STA. 147+00 TO STA. 151+00  
LOOKING NORTH



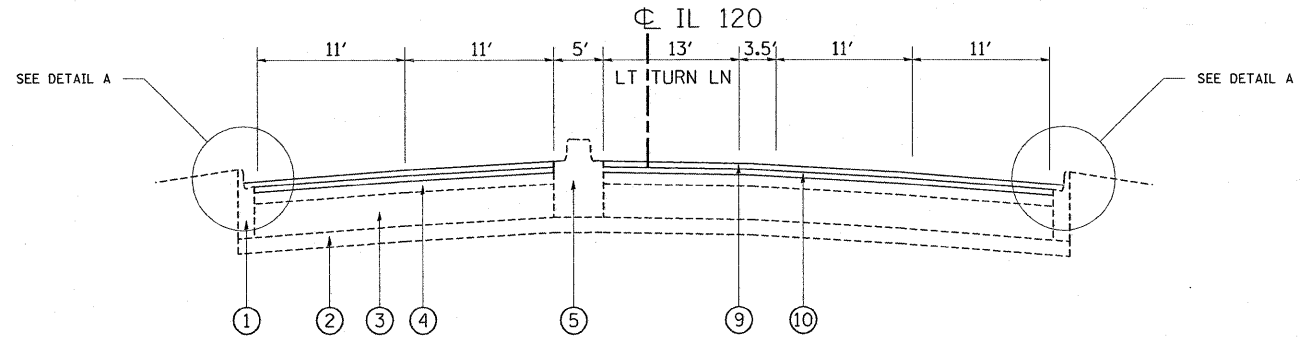
EXISTING TYPICAL SECTION  
IL 131  
STA. 151+00 TO STA. 155+00  
LOOKING SOUTH



PROPOSED TYPICAL SECTION  
IL 131  
STA. 151+00 TO STA. 155+00  
LOOKING SOUTH



EXISTING TYPICAL SECTION  
IL 120 AT IL 131



EXISTING TYPICAL SECTION  
ILL 120 AT ILL 131

LEGEND

- ① EXISTING B-6.24 COMB. CONC. CURB & GUTTER
- ② EXISTING SUB BASE
- ③ EXISTING PCC BASE COURSE, ±10"
- ④ EXISTING HMA BASE COURSE, ±4"
- ⑤ EXISTING CONCRETE BARRIER MEDIAN
- ⑥ EXISTING HMA SURFACE COURSE, ±1-1/2"
- ⑦ EXISTING HMA BINDER COURSE, ±1"
- ⑧ PROPOSED HMA SURFACE REMOVAL, 2-1/2"
- ⑨ PROPOSED POLYMERIZED HMA SURFACE COURSE, MIX "F", N90, 1-3/4"
- ⑩ PROPOSED POLYMERIZED LEVELING BINDER (MACHINE METHOD) COURSE, IL-4.75, N50, 3/4"

FILE NAME =	USER NAME = byunsh	DESIGNED -	REVISED -
ca\pw_work\p\dot\byunsh\d0101576\sh_rdv.dgn		DRAWN -	REVISED -
PLOT SCALE = 52.9397' / IN.		CHECKED -	REVISED -
PLOT DATE = 1/13/2009		DATE -	REVISED -

STATE OF ILLINOIS  
DEPARTMENT OF TRANSPORTATION

IL 131  
TYPICAL SECTIONS

SCALE: SHEET NO. OF SHEETS STA. TO STA.

F.A.U. RTE.	SECTION	COUNTY	TOTAL SHEETS	SHEET NO.
2711	D-RS-3	LAKE	40	6
FED. ROAD DIST. NO. ILLINOIS FED. AID PROJECT			CONTRACT NO. 60E93	