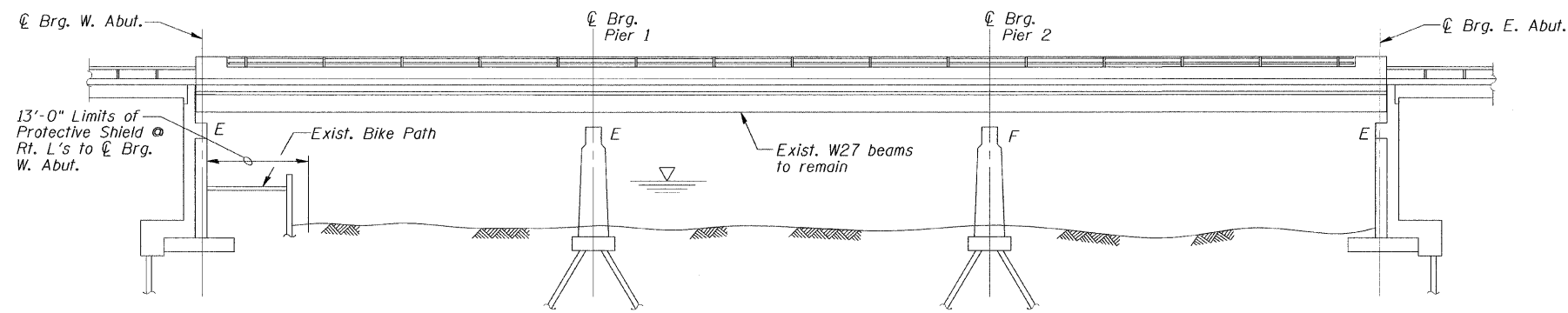


F.A.P. RITE	SECTION	COUNTY	TOTAL SHEETS	SHEET NO.
352	56 B-1-2	LAKE	26	10
FED. ROAD DIST. NO.	ILLINOIS	FED. AID PROJECT		
			Contract No. 60D91	

SCOPE OF WORK:

1. Removal of existing hot-mix asphalt overlay, hydro-scarification, deck slab repair and placement of latex concrete overlay.
2. Removal and replacement of end diaphragms and reinforcement of existing beam webs at West Abutment.
3. Removal and replacement of bearings at East and West Abutments.
4. Removal and replacement of expansion joints at East and West Abutments.
5. Structural repair of concrete at substructure.

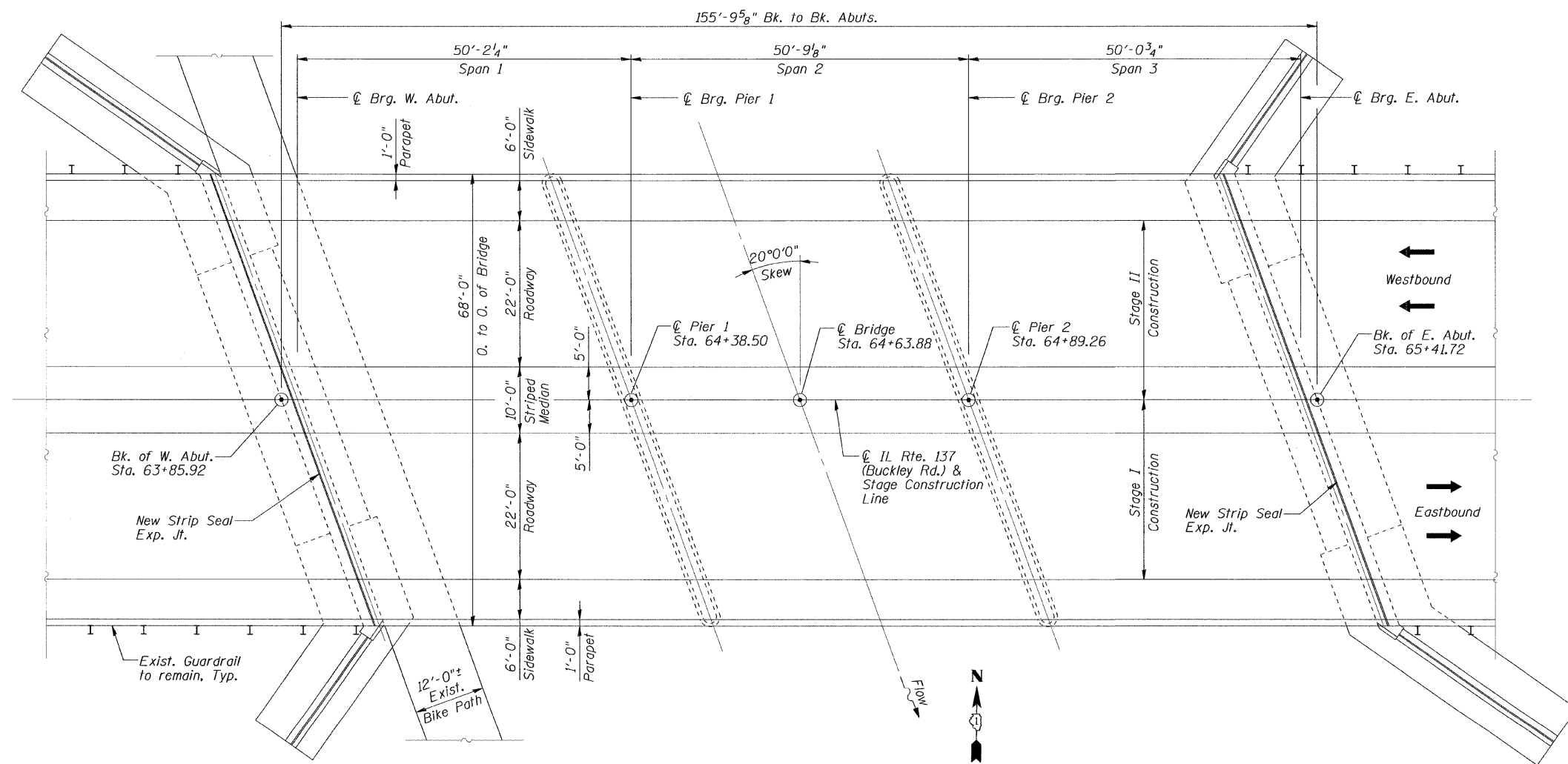


ELEVATION

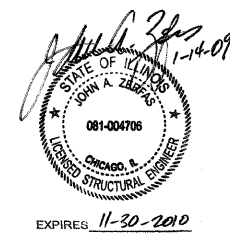
DESIGN SPECIFICATIONS
AASHTO 17th Edition, 2002

DESIGN STRESSES

FIELD UNITS
 $f'_c = 3,500$ psi
 $f_y = 60,000$ psi (Reinforcement)
 $f_y = 36,000$ psi (Structural Steel M270 Grade 36)



Note:
For General Notes and Total Bill of Material, See Sheet 10.



r:\Jobs2008\plot\2006-3028.44\00\063_3028-S1.dgn 1/12/2009

DESIGNED	S.D.H.
CHECKED	J.A.Z.
DRAWN	M.S.M.
CHECKED	S.D.H.

GENERAL PLAN & ELEVATION
 IL RTE. 137 (BUCKLEY ROAD)
 OVER DES PLAINES RIVER
 FAP 352 (IL 137), SECTION 56 B-1-2
 LAKE COUNTY
 STATION 64+63.88
 S.N. 049-0063
 DATE: 01-14-09
 GRAEF, ANHALT, SCHLOEMER & ASSOCIATES INC
 CHICAGO ILLINOIS