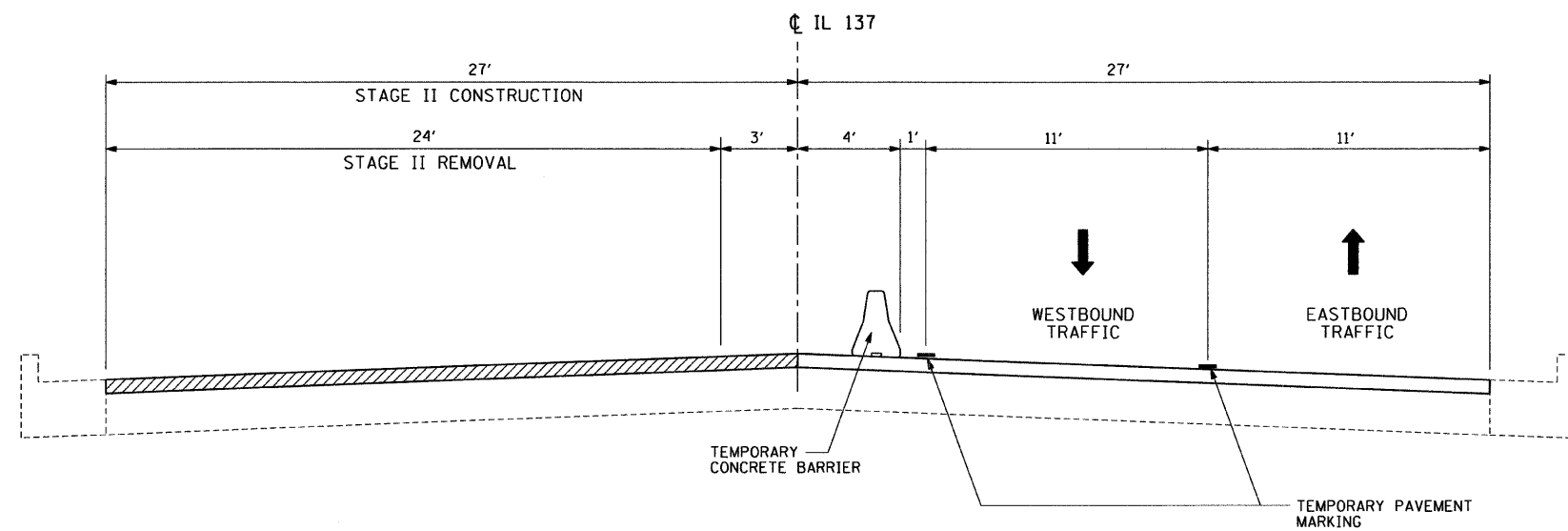
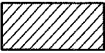
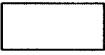



**TYPICAL SECTION**  
**STAGE I REMOVAL & CONSTRUCTION**  
 (LOOKING EAST)



**TYPICAL SECTION**  
**STAGE II REMOVAL & CONSTRUCTION**  
 (LOOKING EAST)

**LEGEND :**

-  - AREA OF PROPOSED CONSTRUCTION
-  - COMPLETED WORK
-  - DIRECTION OF TRAFFIC

FILE NAME =	USER NAME = .USER.	DESIGNED - WS	REVISED -	<b>STATE OF ILLINOIS</b> <b>DEPARTMENT OF TRANSPORTATION</b>	<b>MAINTENANCE OF TRAFFIC</b> <b>TYPICAL SECTIONS</b>	F.A. RTE.	SECTION	COUNTY	TOTAL SHEETS	SHEET NO.
#FILEL#	DRAWN - AJR	REVISED -	352			56 B-1-2	LAKE	26	5	
PLOT SCALE = 1/8" = 1'-0"	CHECKED - RJS	REVISED -	CONTRACT NO. 60D91							
PLOT DATE = 1/13/2009	DATE - 01/14/09	REVISED -	ILLINOIS FED. AID PROJECT							
				SCALE: NTS	SHEET NO. OF SHEETS	STA. TO STA.				