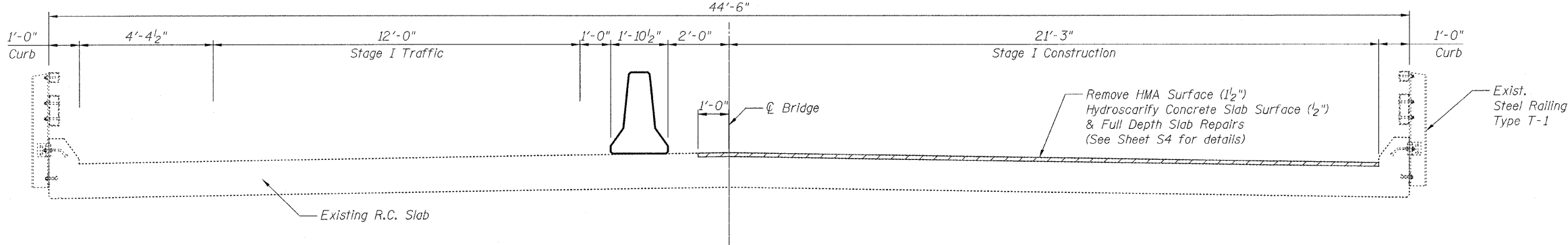
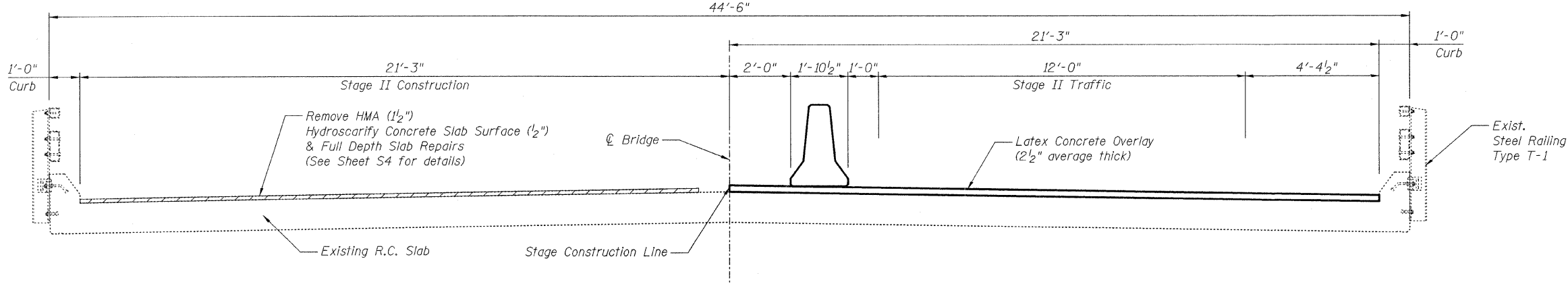


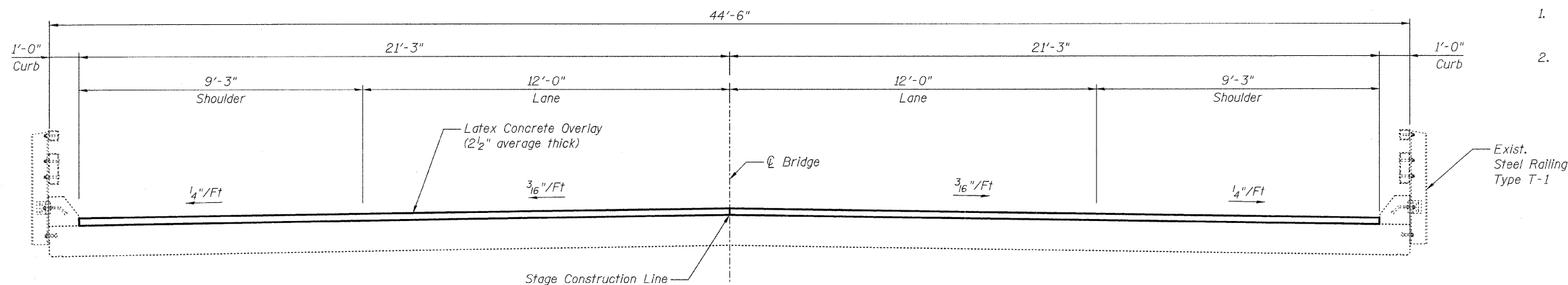
STATE OF ILLINOIS
DEPARTMENT OF TRANSPORTATION



STAGE I CONSTRUCTION
(Looking North)



STAGE II CONSTRUCTION
(Looking North)



- NOTE:**
1. See Sheet S3 for Temporary Concrete Barrier Details.
 2. The Contractor is ultimately responsible for means and methods to ensure the complete stability of the structural members during construction.

STAGE CONSTRUCTION DETAILS
U.S. 52 OVER N. BR. JACKSON CREEK
STA. 524+51.00
S.N. 099-0129

DESIGNED	E. Mroczek
CHECKED	B. Sauter
DRAWN	R. Danley
CHECKED	E. Mroczek

GIORBA GROUP, INC.
CONSULTING ENGINEERS
5507 North Cumberland Avenue, Suite 402 Chicago, Illinois 60656
Tel. 773.775.4009 Fax 773.775.4014 Email chicago@giorba.com

FINAL
(Looking North)

SHEET NO. S2	F.A.P. RTE.	SECTION	COUNTY	TOTAL SHEETS	SHEET NO.
	852	18 B-4-R-1	WILL	27	18
S6 SHEETS		CONTRACT NO. 60D84			
FED. ROAD DIST. NO.		ILLINOIS	FED. AID PROJECT		

1/13/2009 r danley m:\proj\3329\3329_27\design\structural\wood\3329_27_02 Stage Construction.sht