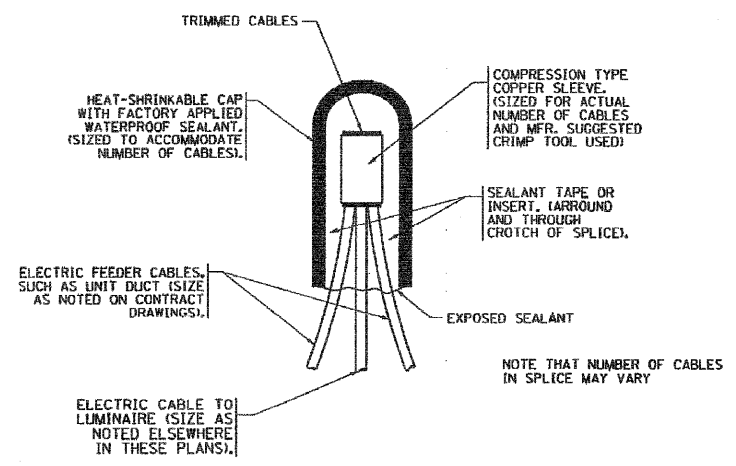
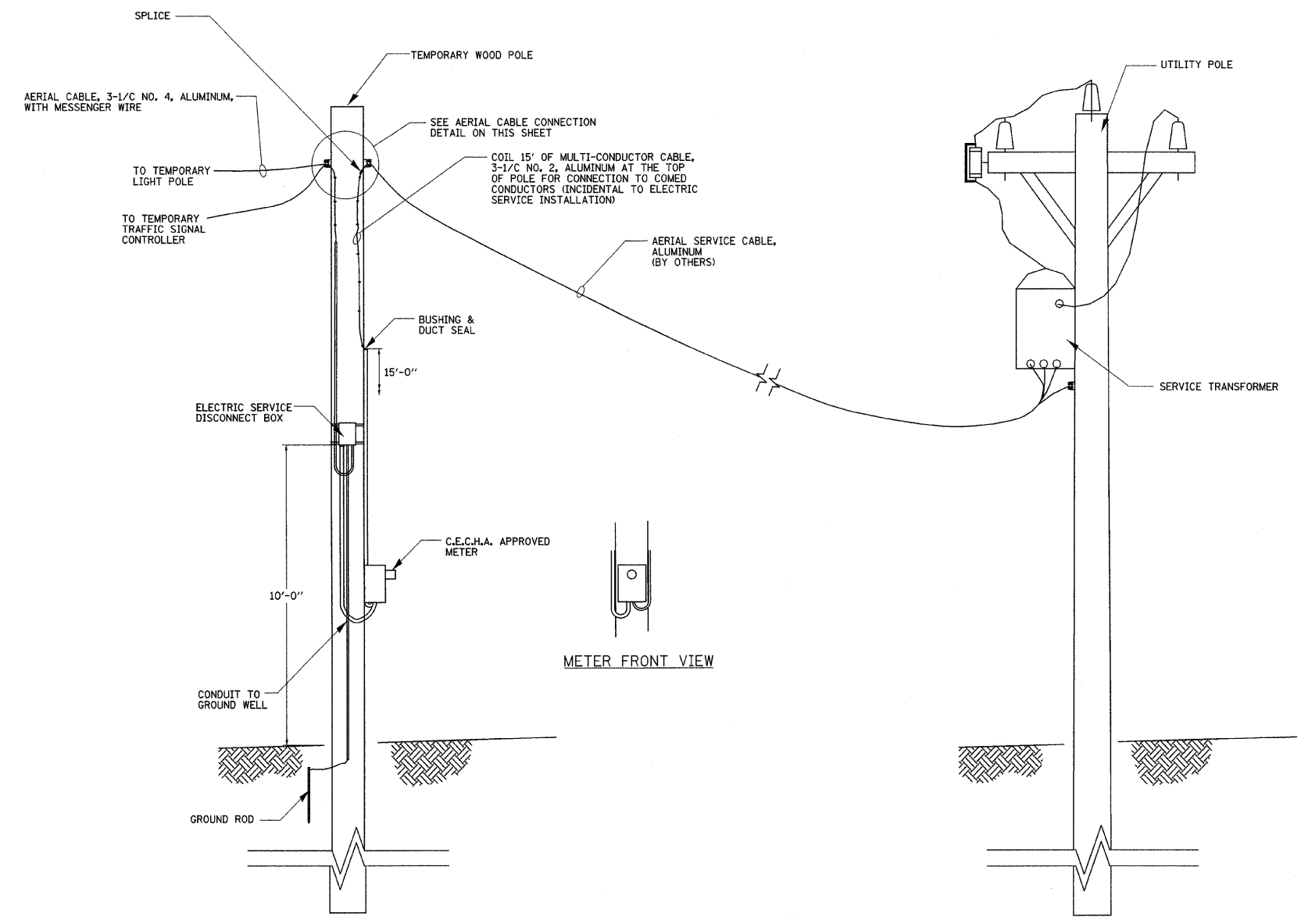


AERIAL CABLE CONNECTION DETAIL
N.T.S.



TYPICAL SPLICE DETAIL
N.T.S.



METER FRONT VIEW

NOTE:
COMMONWEALTH EDISON SHALL BE CONTACTED BEFORE THE INSTALLATION WORK BEGINS FOR THE ELECTRIC SERVICE INSTALLATION.

ELECTRIC SERVICE INSTALLATION
NOT TO SCALE



FILE NAME: n:\puro\3329\3329-27\Design\Lighting\3329-27-1g84.dwt

CG Ciorba Group, Inc.
CONSULTING ENGINEERS
6607 North Cumberland Avenue, Suite 402
Chicago, Illinois 60658
Tel: 773.775.4009 Fax: 773.775.4014

USER NAME = wlancaaster	DESIGNED - JMV	REVISED -
PLOT SCALE = 1:8201 1/4 IN.	DRAWN - MB	REVISED -
PLOT DATE = 1/13/2009	CHECKED - JMV	REVISED -
	DATE - 05/15/2008	REVISED -

STATE OF ILLINOIS
DEPARTMENT OF TRANSPORTATION

FAP 852 / ILLINOIS ROUTE 52 OVER JACKSON CREEK TEMPORARY LIGHTING DETAILS			
SCALE: NONE	SHEET NO.	OF SHEETS	STA. TO STA.

F.A.P. RTE.	SECTION	COUNTY	TOTAL SHEETS	SHEET NO.
852	18 B-4-R-1	WILL	27	16
FED. ROAD DIST. NO.		ILLINOIS FED. AID PROJECT	CONTRACT NO. 60DB4	