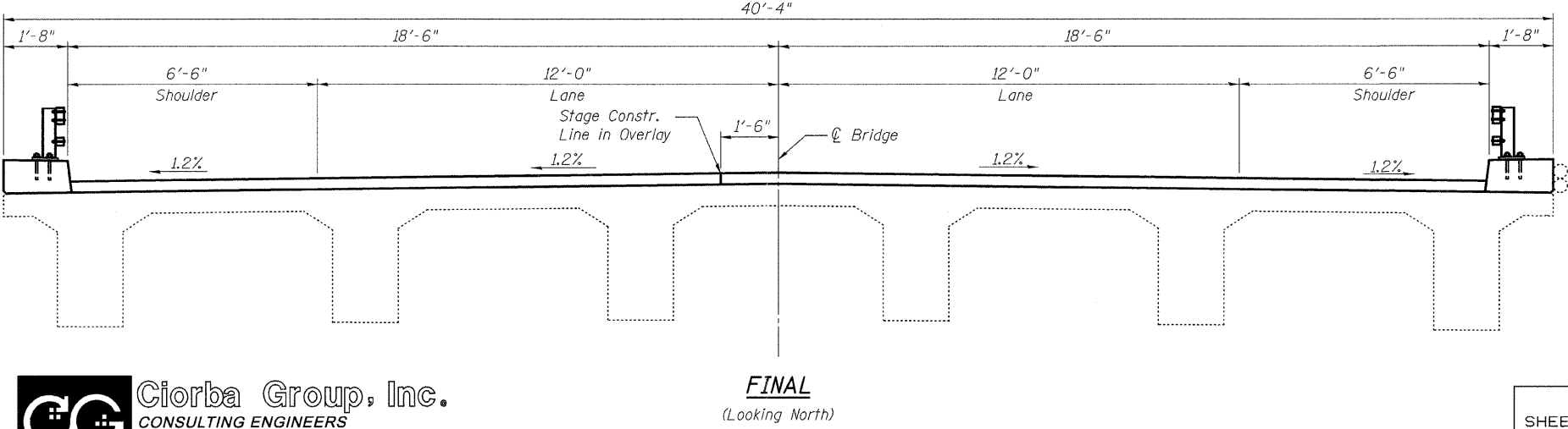
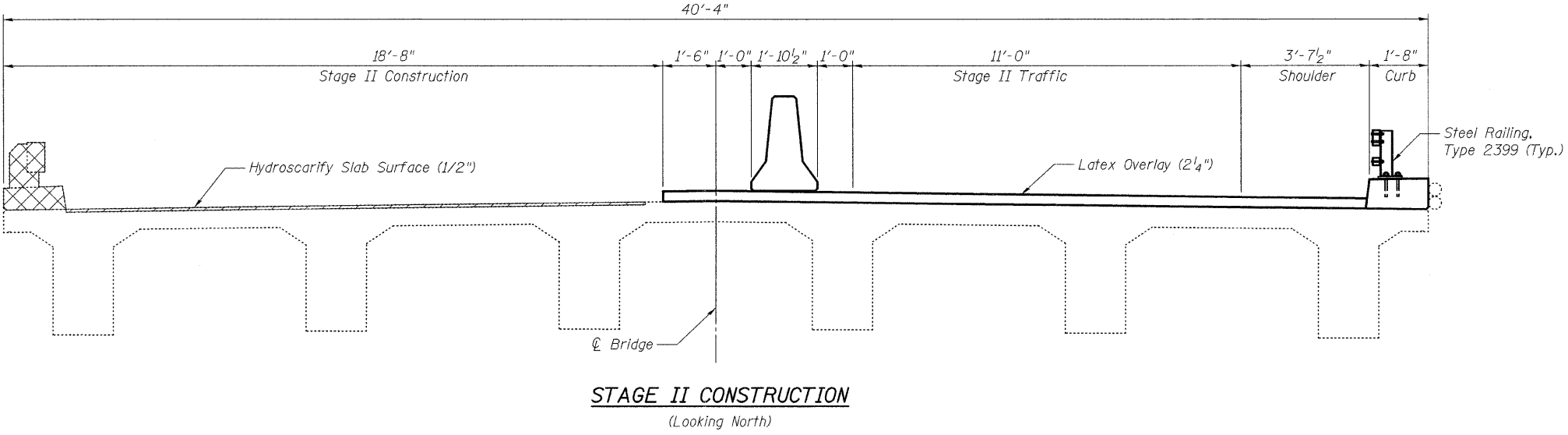
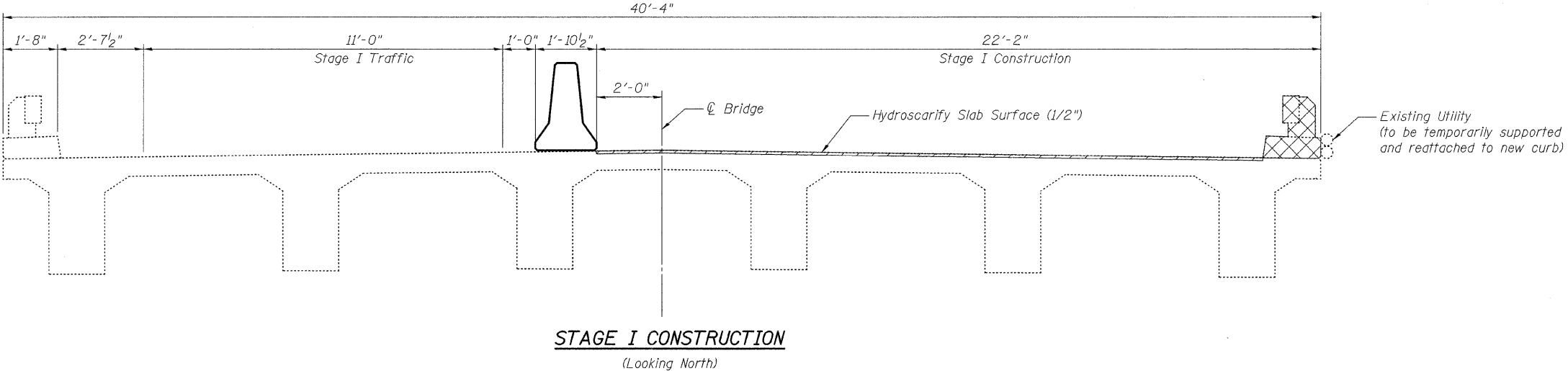
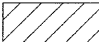



STATE OF ILLINOIS
DEPARTMENT OF TRANSPORTATION



LEGEND:

-  Hydroscarify Slab Surface
-  Concrete Removal, See Sheet S6

NOTE:

1. See Sheet S3 for Temporary Concrete Barrier Details.
2. The Contractor is ultimately responsible for means and methods to ensure the complete stability of the structural members during construction.
3. Cost of temporary support and reattachment of utility is included with Concrete Superstructure pay item.

STAGE CONSTRUCTION DETAILS
IL 1 OVER TRIM CREEK
STA. 533+25
S.N. 099-0079

DESIGNED	B. Sauter
CHECKED	E. Mroczek
DRAWN	R. Danley
CHECKED	B. Sauter

Giorba Group, Inc.
CONSULTING ENGINEERS
5507 North Cumberland Avenue, Suite 402 Chicago, Illinois 60656
Tel. 773.775.4005 Fax 773.775.4014 Email chicago@giorba.com

SHEET NO. S2	F.A.P. RTE.	SECTION	COUNTY	TOTAL SHEETS	SHEET NO.
	332	8 R-B-I-2	WILL	28	17
S8 SHEETS			CONTRACT NO. 60D81		
FED. ROAD DIST. NO.		ILLINOIS	FED. AID PROJECT		

1/13/2009 rdanley m:\proj\3329\3329_26\design\structural\Need\st\3329_26_02 Stage Construction.sht