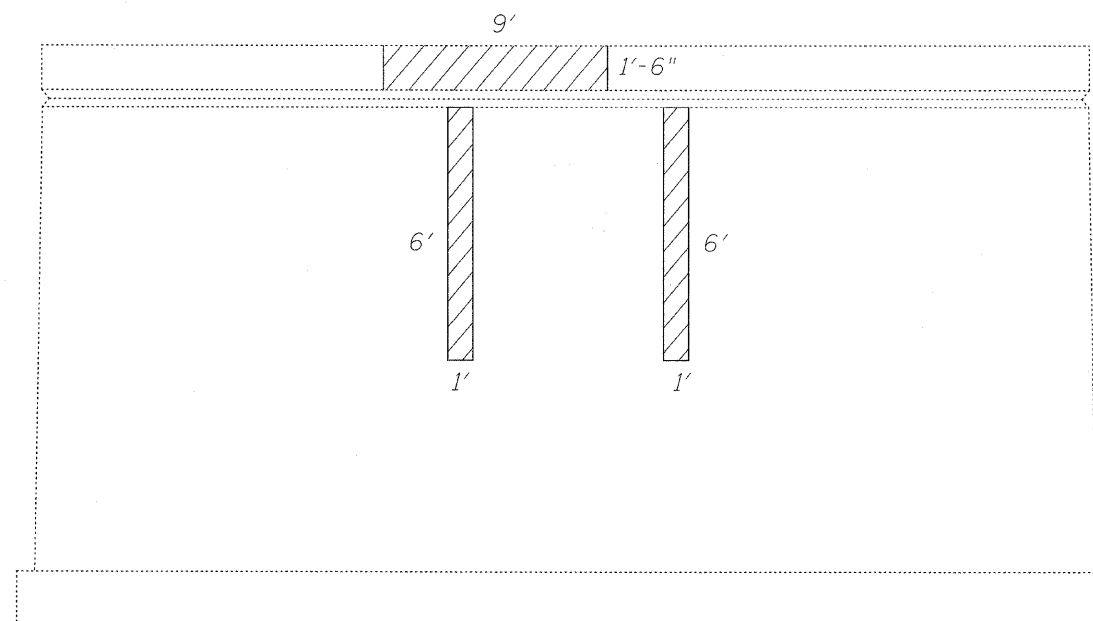


NORTH FACE

PIER ELEVATION
(Looking North)



SOUTH FACE

PIER ELEVATION
(Looking South)

BILL OF MATERIAL

ITEM	UNIT	QUANTITY
Structural Repair of Concrete (Depth Equal to or Less Than 5 in.)	Sq. Ft.	52

LEGEND:



Structural Repair of Concrete
(Depth Equal to or Less Than 5 in.)
North Face of Pier = 26.0 S.F.
South Face of Pier = 26.0 S.F.

FILE NAME - pier repairs.sht	USER NAME - IDDT	DESIGNED - B.N.S.	REVISED -	STATE OF ILLINOIS DEPARTMENT OF TRANSPORTATION	PIER REPAIRS U.S. 45 / 52 OVER SOUTH BRANCH FORKED CREEK S.N. 099-0121	F.A.P. RTE. 330	SECTION 17 B-2-I-1	COUNTY WILL	TOTAL SHEETS 21	SHEET NO. 16		
	PLOT SCALE = 50.0000' / IN.	DRAWN - D.L./R.E.S./F.M.	REVISED -			SCALE:	SHEET NO. 55 OF 56 SHEETS	STA.	TO STA.	FED. ROAD DIST. NO. 1 ILLINOIS FED. AID PROJECT		
	PLOT DATE = 1/12/2009	CHECKED - B.N.S./S.J.P./J.C.N.	REVISED -			CONTRACT NO. 60D79						
		DATE - JANUARY 12, 2009	REVISED -									

CHRISTIAN-ROGE & ASSOCIATES, INC.
ENGINEERS / PLANNERS / SURVEYORS
211 W. WACKER DRIVE CHICAGO, IL 60606
PHONE: (312)372-2023 FAX: (312)372-5274