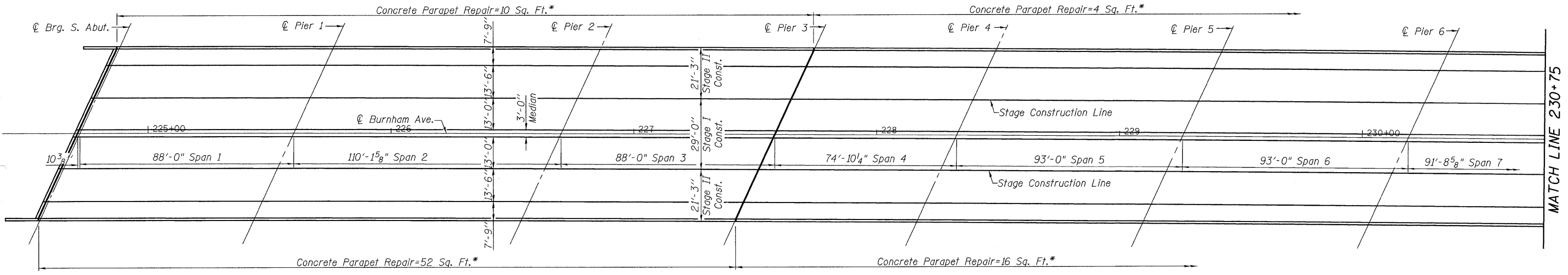
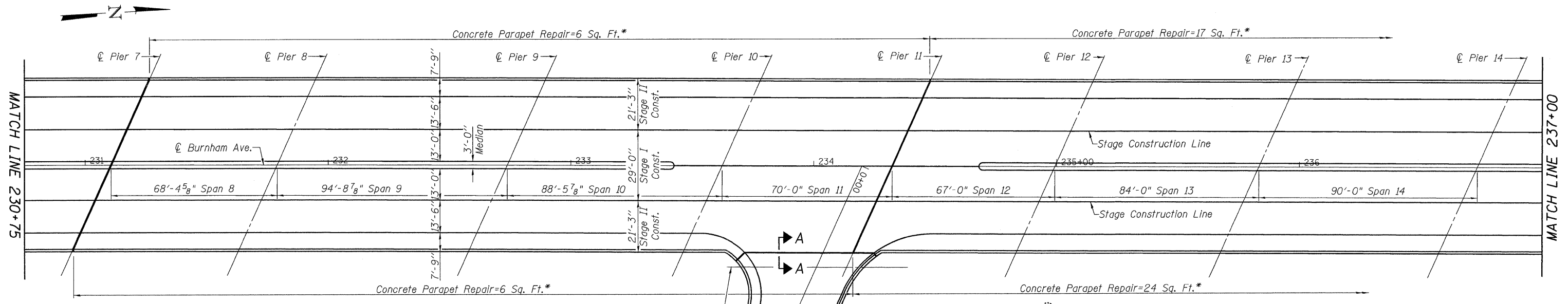


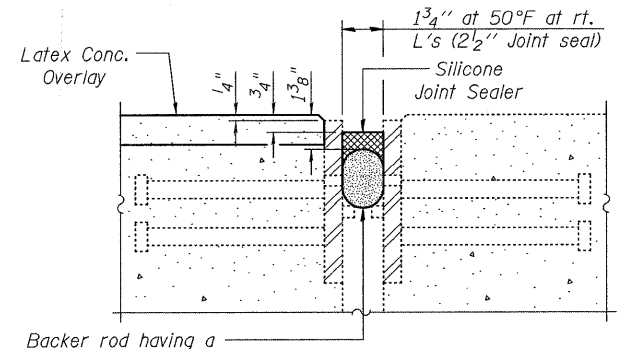
Contract # 60D74



PLAN

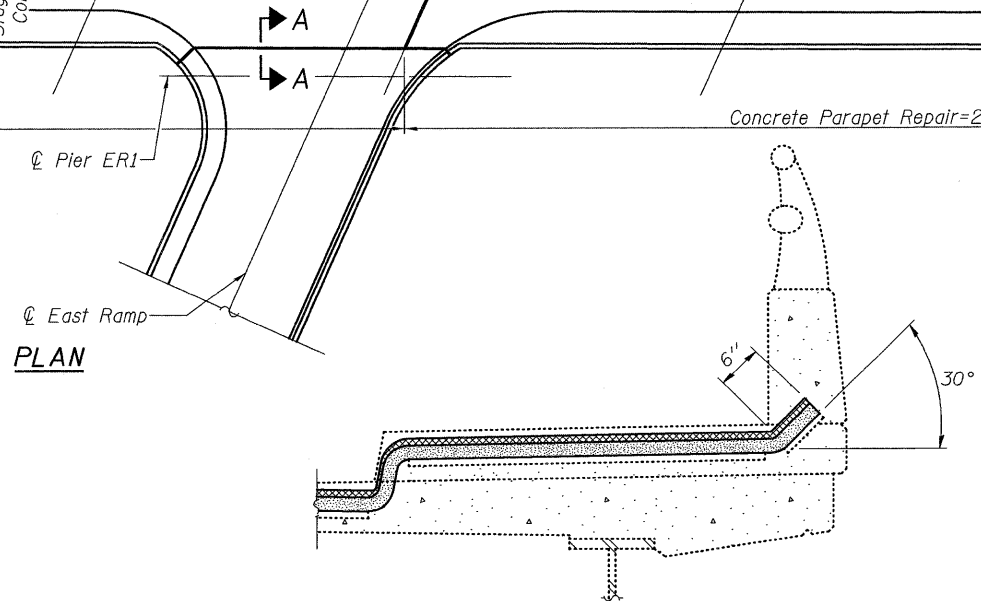


PLAN



SECTION A-A

Backer rod having a diameter 25% greater than joint opening at the time of installation



SILICONE JOINT SEALER AT SIDEWALK
(Showing existing plate)

NOTE
See sheet 28 of 35 for Bill of Material and additional Notes.

rjngroup
Excellence through Ownership
200 West Front Street
Wheaton, IL 60187

ILLINOIS DEPARTMENT OF TRANSPORTATION
DECK AND PARAPET
REPAIR PLAN - I
BURNHAM AVE OVER STATE ST, R.R. & RIVER
FAU RTE 2943 SECTION 1212.8-I-1
COOK COUNTY
STATION 231+79.04
STRUCTURE NO. 016-0806
DATE: 1-14-2009
DRAWN BY JMT
CHECKED BY WJV

K:\112256803\Structures\Burnham Ave. Over R.R. & River\Final\Plans\Repairs.dgn 1/13/2009