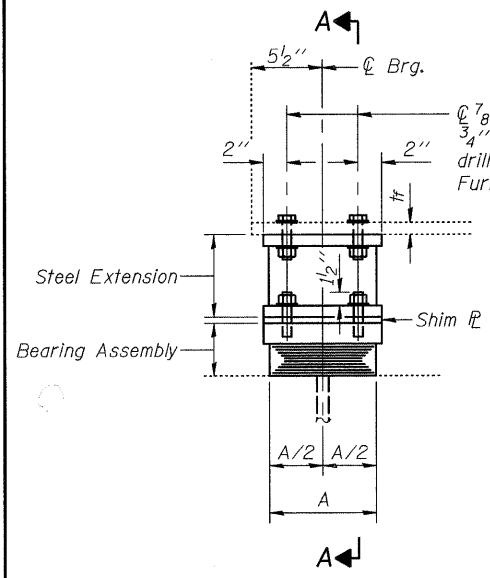


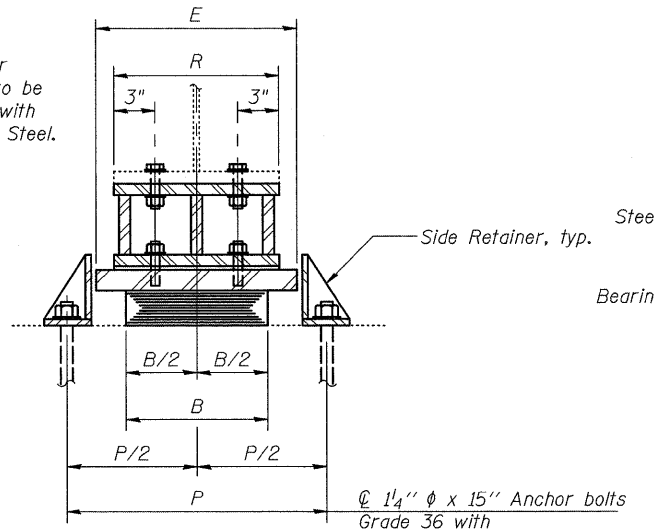
Contract # 60D74



ELEVATION

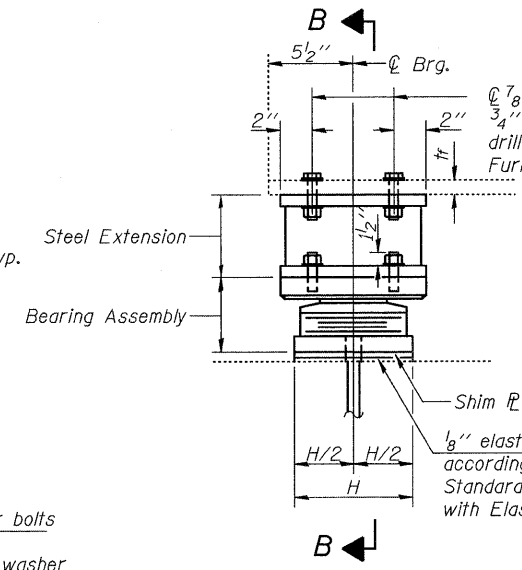
Total Height does not include Shim Plates

TYPE I ELASTOMERIC EXP. BRG.



SECTION A-A

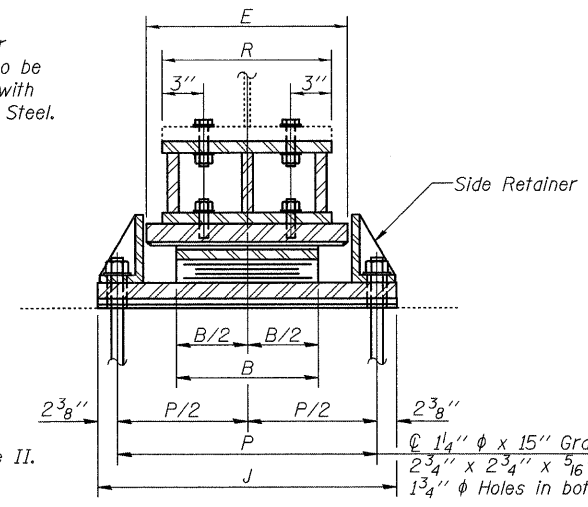
1 1/4" ϕ x 15" Anchor bolts
Grade 36 with
2 3/4" x 2 3/4" x 5/16" \mathbb{P} washer
under nut



ELEVATION

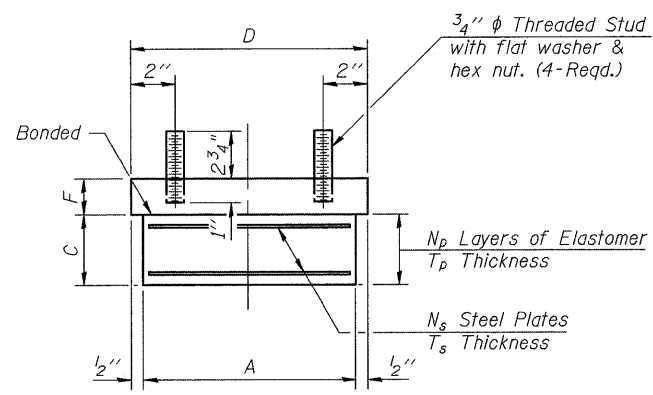
Total Height does not include Shim Plates

TYPE II ELASTOMERIC EXP. BRG.



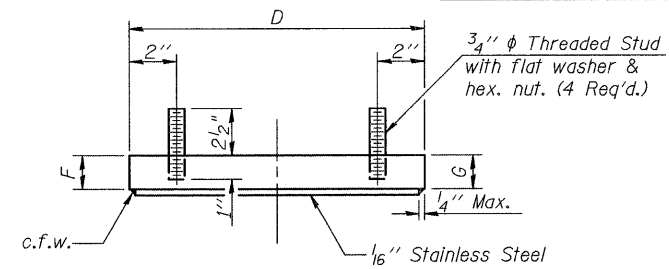
SECTION B-B

1 1/4" ϕ x 15" Grade 36 Anchor bolts with
2 3/4" x 2 3/4" x 5/16" \mathbb{P} washer under nut.
1 3/4" ϕ Holes in bottom \mathbb{P} .

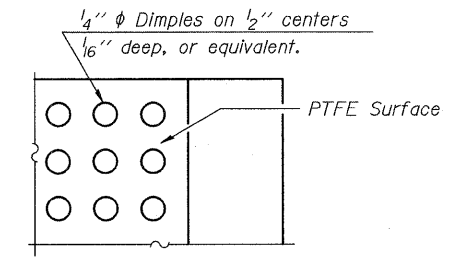


BEARING ASSEMBLY

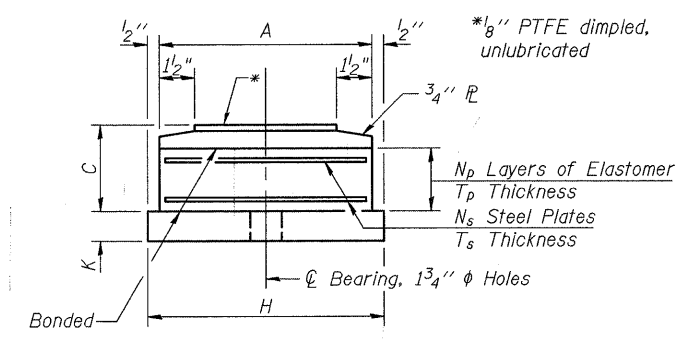
Note:
Shim plates shall not be placed
under Bearing Assembly.



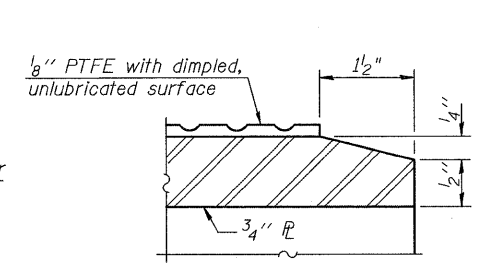
TOP BEARING ASSEMBLY



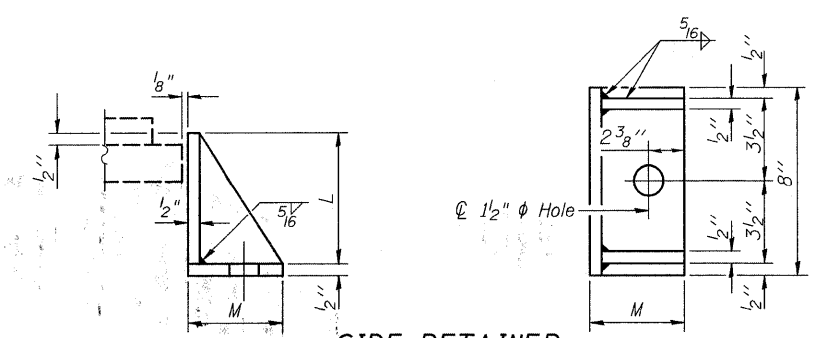
PLAN-PTFE SURFACE



BOTTOM BEARING ASSEMBLY

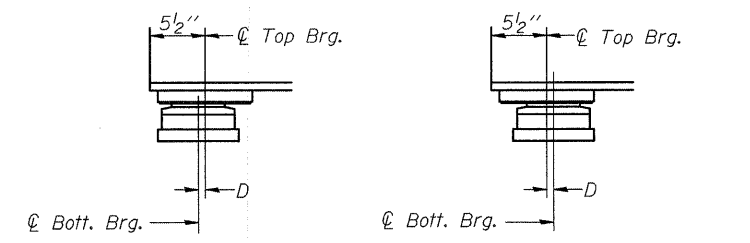


SECTION THRU PTFE



SIDE RETAINER

Equivalent rolled angle with stiffeners
will be allowed in lieu of welded plates.



SETTING ANCHOR BOLTS AT TYPE II EXP. BRG.
D=1/8" per each 100' of expansion for every 15° temp.
change from the normal temp. of 50°F.

NOTE
See Sheet 25 of 35 for Table of Dimensions.

<p>Excellence through Ownership</p> <p>200 West Front Street Wheaton, IL 60187</p>	ILLINOIS DEPARTMENT OF TRANSPORTATION
	BEARING REPLACEMENT DETAILS - II BURNHAM AVE OVER STATE ST, R.R. & RIVER FAU RTE 2943 SECTION 1212.8-I-1 COOK COUNTY STATION 231+79.04 STRUCTURE NO. 016-0806
	DATE: 1-14-2009
	DRAWN BY L.M. CHECKED BY BLB

K:\11225503\Structures\Burnham Ave. Over R.R. & River\Final Plans\Bearings.dgn 1/13/2009