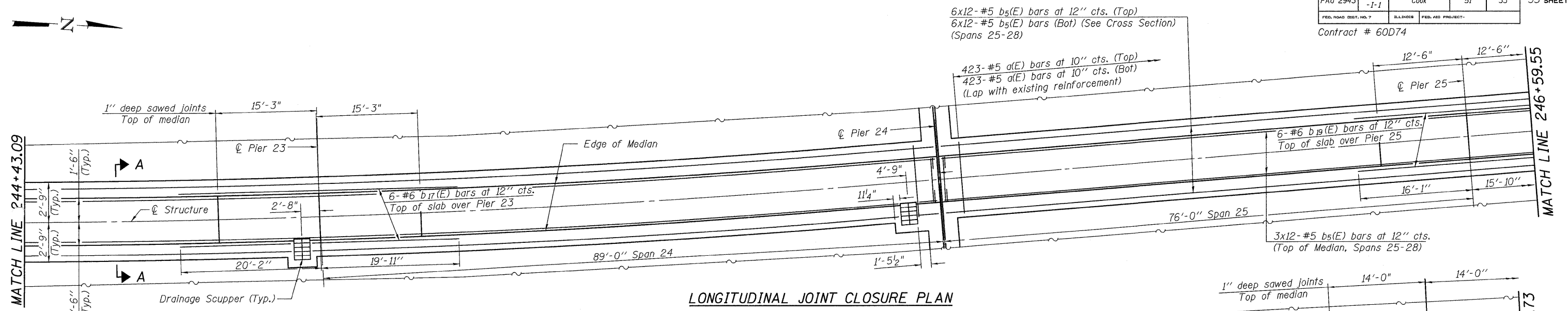


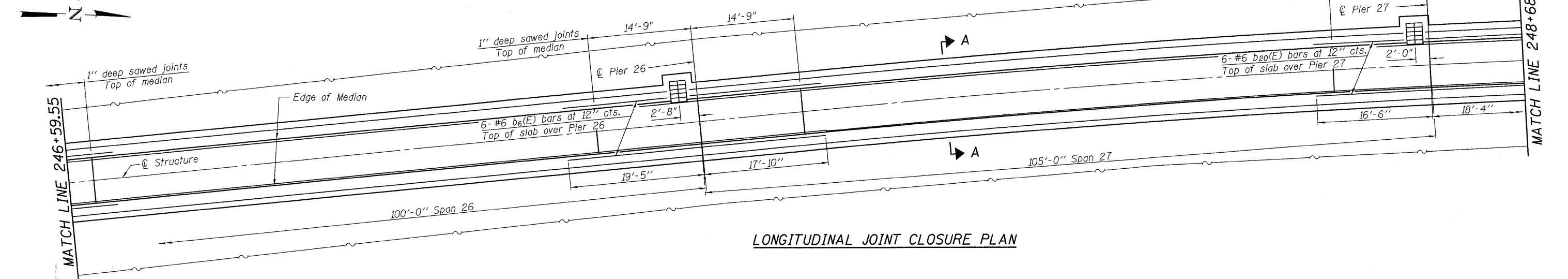
ROUTE NO.	SECTION	COUNTY	TOTAL SHEETS	SHEET NO.
FAU 2943	1212.8-I-1	Cook	51	33
FED. ROAD DIST. NO. 7	ILLINOIS	FED. AID PROJECT		

SHEET NO. 23
35 SHEETS

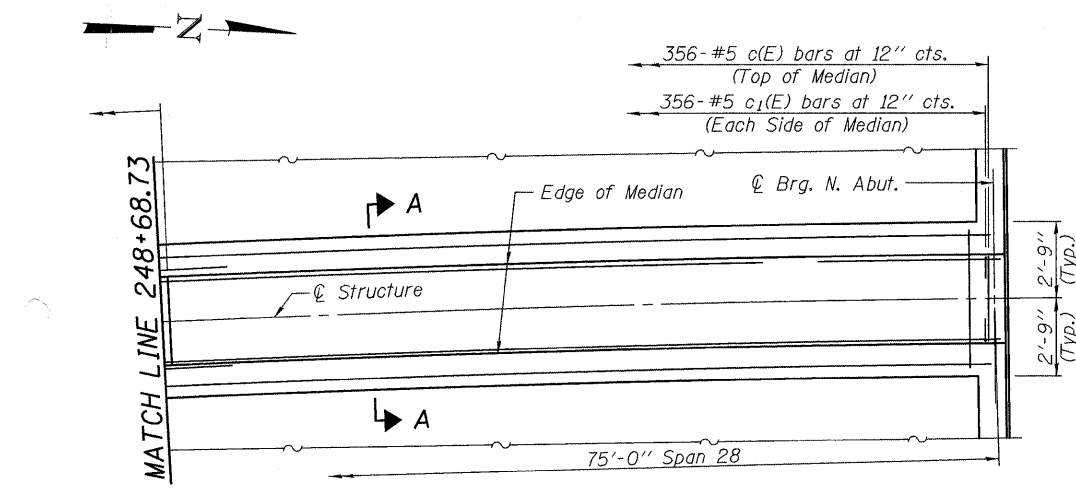
Contract # 60D74



LONGITUDINAL JOINT CLOSURE PLAN



LONGITUDINAL JOINT CLOSURE PLAN



LONGITUDINAL JOINT CLOSURE PLAN

NOTE:
Section A-A, B-B, Drainage Scupper details and Notes for this sheet are on Sheet 19 of 35.
See Expansion Joint Replacement Sheets for additional reinforcement.

<p>Excellence through Ownership</p> <p>200 West Front Street Wheaton, IL 60187</p>	<p>ILLINOIS DEPARTMENT OF TRANSPORTATION LONGITUDINAL JOINT AND MEDIAN PLAN - IV BURNHAM AVE OVER STATE ST, R.R. & RIVER FAU RTE 2943 SECTION 1212.8-I-1 COOK COUNTY STATION 231+79.04 STRUCTURE NO. 016-0806</p>
	<p>DATE: 1-14-2009</p>
	<p>DRAWN BY JMT CHECKED BY WJV</p>

K:\11225903\Structures\Burnham Ave. Over R.R. & River\Final Plans\Long-Joints.dgn 1/13/2009