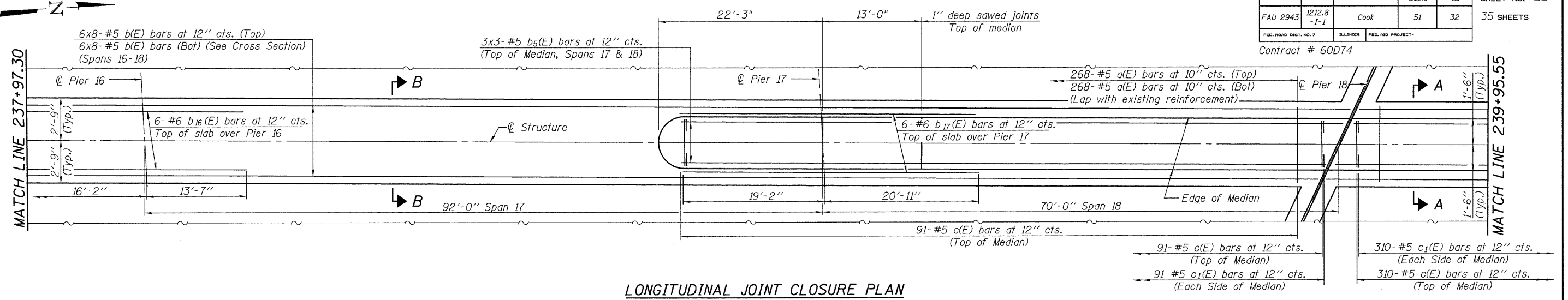
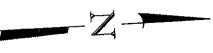
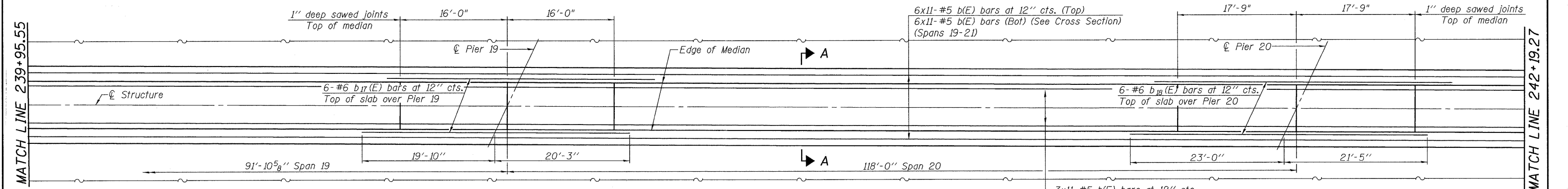


ROUTE NO.	SECTION	COUNTY	TOTAL SHEETS	SHEET NO.	SHEET NO. 22
FAU 2943	1212.8-I-1	Cook	51	32	35 SHEETS
FED. ROAD DIST. NO. 7	ILLINOIS	FED. AID PROJECT-			

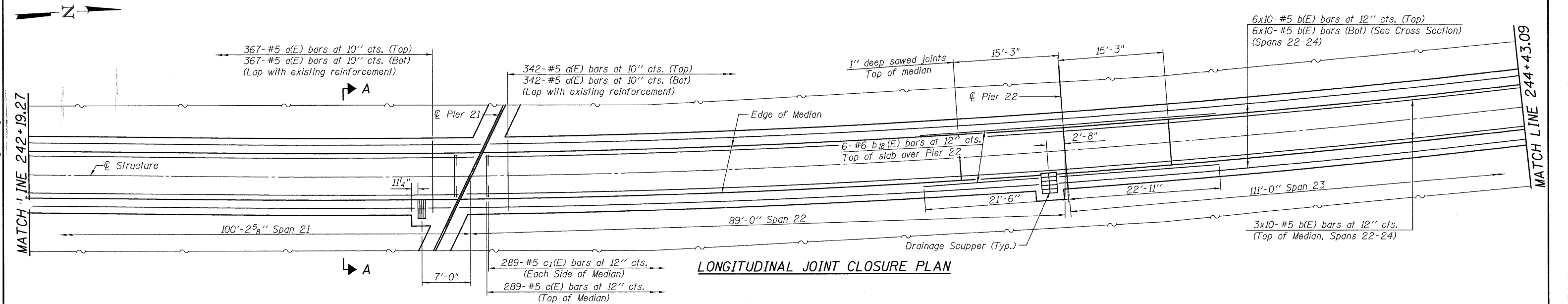
Contract # 60D74



LONGITUDINAL JOINT CLOSURE PLAN



LONGITUDINAL JOINT CLOSURE PLAN



LONGITUDINAL JOINT CLOSURE PLAN

NOTE:
 Section A-A, B-B, Drainage Scupper details and Notes for this sheet are on Sheet 19 of 35.
 See Expansion Joint Replacement Sheets for additional reinforcement.

 Excellence through Ownership 200 West Front Street Wheaton, IL 60187	ILLINOIS DEPARTMENT OF TRANSPORTATION LONGITUDINAL JOINT AND MEDIAN PLAN - III BURNHAM AVE OVER STATE ST, R.R. & RIVER FAU RTE 2943 SECTION 1212.8-I-1 COOK COUNTY STATION 231+79.04 STRUCTURE NO. 016-0806
	DATE: 1-14-2009 DRAWN BY JMT CHECKED BY WJV

1/13/2009 K:\11225903\Structures\Burnham Ave. Over R.R. & River\Final Plans\Long-Joints.dgn