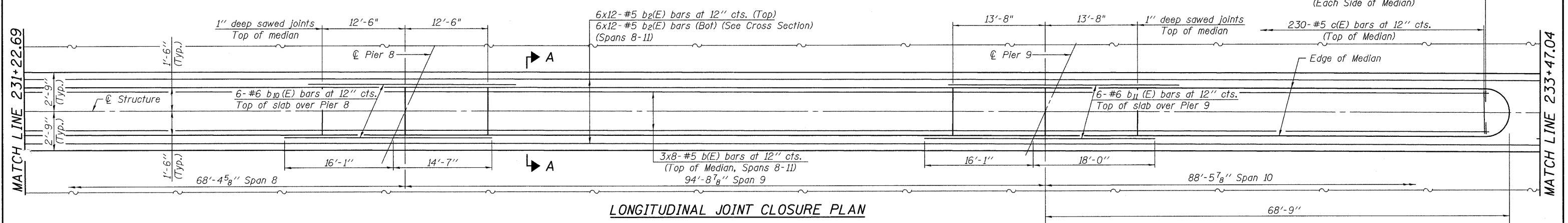


ROUTE NO.	SECTION	COUNTY	TOTAL SHEETS	SHEET NO.	SHEET NO. 21 35 SHEETS
FAU 2943	1212.8 -I-1	Cook	51	31	
FED. ROAD DIST. NO. 7	ILLINOIS	FED. AID PROJECT			

Contract # 60D74

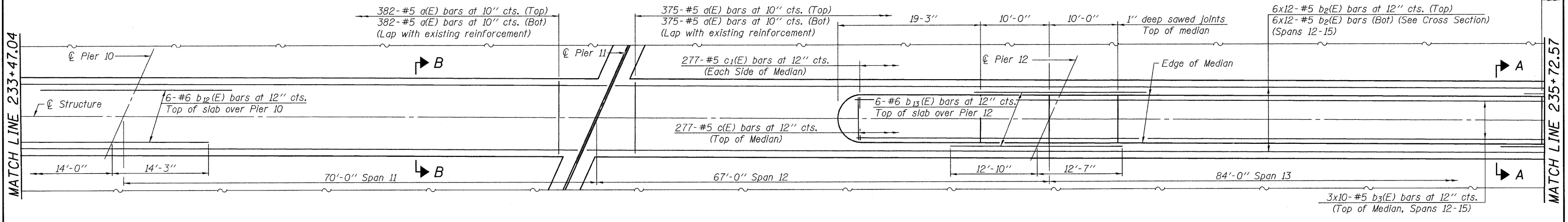
MATCH LINE 231+22.69

MATCH LINE 233+47.04



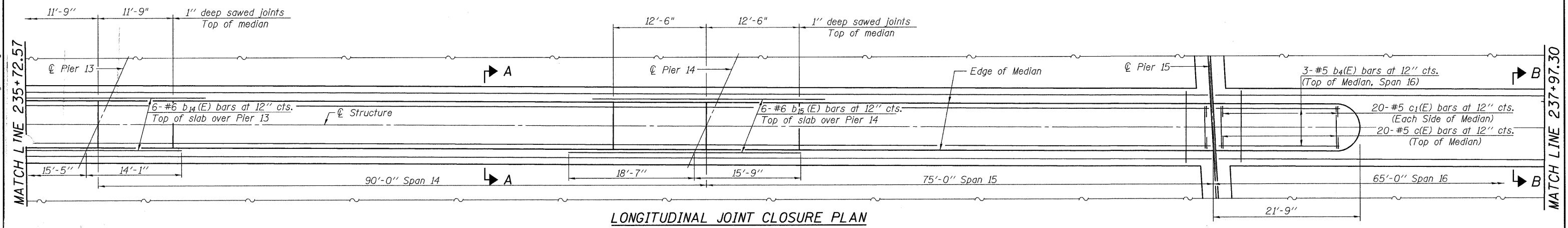
MATCH LINE 233+47.04

MATCH LINE 235+72.57



MATCH LINE 235+72.57

MATCH LINE 237+97.30



**NOTE:**  
Section A-A, B-B and Notes for this sheet are on Sheet 19 of 35.  
See Expansion Joint Replacement Sheets for additional reinforcement.

 Excellence through Ownership 200 West Front Street Wheaton, IL 60187	ILLINOIS DEPARTMENT OF TRANSPORTATION LONGITUDINAL JOINT AND MEDIAN PLAN - II BURNHAM AVE OVER STATE ST, R.R. & RIVER FAU RTE 2943 SECTION 1212.8-I-1 COOK COUNTY STATION 231+79.04 STRUCTURE NO. 016-0806
	DATE: 1-14-2009 DRAWN BY: JMT CHECKED BY: WJV

K:\11225503\Structures\Burnham Ave. Over R.R. & River\Final Plans\Long-Joints\adgn 1/13/2009